

### FEATURES

#### High Precision ADCs

- Dual Channel, Simultaneous Sampling, 16-Bit  $\Sigma$ - $\Delta$  ADCs
- Third Independent ADC for Temperature Sensing
- Programmable ADC throughput from 1Hz to 8KHz
- On-Chip 5ppm/°C Voltage Reference

#### Current Channel

- Fully differential, Buffered Input
- Programmable Gain 1 to 512
- ADC Input Range -200mV to +300mV
- Digital Comparators, with Current Accumulator Feature

#### Voltage Channel

- Buffered, On-Chip attenuator for 12V battery Inputs

#### Temperature Channel

- External and On-Chip Temperature Sensor Options

#### Microcontroller

- ARM7TDMI Core, 16/32-bit RISC architecture
- 20.48MHz PLL with Programmable Divider
- PLL Input Source: On-Chip Precision Oscillator  
On-Chip Low-Power Oscillator  
External (32.768KHz) Watch Crystal
- JTAG Port supports code download and debug

#### Memory

- 96k Bytes Flash/EE Memory, 6k Bytes SRAM
- 10K Cycles Flash Endurance, 20 Years Flash Retention
- In-Circuit Download via JTAG and LIN
- 64 x 16bit Result FIFO for Current and Voltage ADC

#### On-Chip Peripherals

- LIN 1.2, 1.3 and 2.0 (Slave) Compatible Support via UART with Hardware Synchronization
- Flexible Wake-up I/O Pin, Master/Slave SPI Serial I/O
- 9-Pin GPIO Port, 2 X General Purpose Timers
- Wake-up and Watchdog Timers
- Power Supply Monitor, On-Chip Power-On-Reset

#### Power

- Operates directly from 12V Battery Supply
- Current Consumption  
Normal Mode 10mA at 10MHz  
Low Power Monitor Mode

#### Package and Temperature Range

- 48 Pin LQFP 7X7 mm body package
- Fully specified for -40°C to 105°C operation

#### APPLICATIONS

- Battery Sensing/Management for Automotive Systems

### FUNCTIONAL BLOCK DIAGRAM

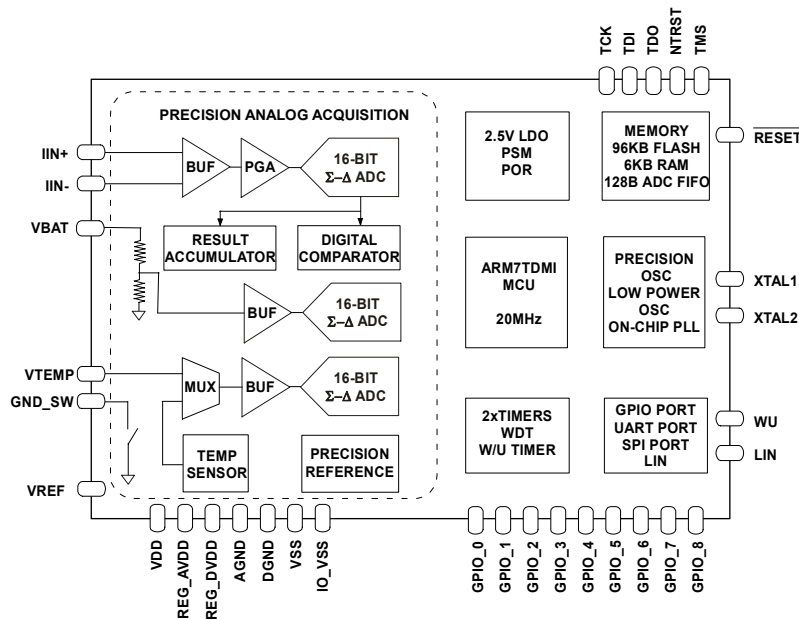


Figure 1: ADuC7032 Functional Block Diagram

#### Rev. PrD

Information furnished by Analog Devices is believed to be accurate and reliable. However, no responsibility is assumed by Analog Devices for its use, nor for any infringements of patents or other rights of third parties that may result from its use. Preliminary Specifications subject to change without notice. No license is granted by implication or otherwise under any patent or patent rights of Analog Devices. Trademarks and registered trademarks are the property of their respective companies.

## TABLE OF CONTENTS

|   |           |   |           |
|---|-----------|---|-----------|
| <b>TABLE OF CONTENTS</b> .....  | <b>2</b>  | VOLTAGE CHANNEL ADC (V-ADC).....                              | 46        |
| <b>ADUC7032 DATASHEET TABLES</b> .....  | <b>5</b>  | TEMPERATURE CHANNEL ADC (T-ADC).....                          | 46        |
| <b>ADUC7032 DATASHEET FIGURES</b> .....   | <b>7</b>  | ADC GROUND SWITCH .....                                       | 47        |
| <b>ADUC7032 SPECIFICATIONS</b> .....  | <b>8</b>  | ADC NOISE PERFORMANCE TABLES .....                            | 48        |
| ELECTRICAL SPECIFICATIONS.....  | 8         | ADC MMR INTERFACE.....  | 49        |
| TIMING SPECIFICATIONS .....   | 15        | <i>ADC Status Register</i> : .....                            | 49        |
| <i>SPI Timing Specifications</i> .....  | 15        | <i>ADC Interrupt Mask Register</i> : .....                    | 50        |
| <i>LIN Timing Specifications</i> .....  | 19        | <i>ADC Mode Register</i> : .....                              | 51        |
| SPECIFICATION TERMINOLOGY .....   | 21        | <i>Current Channel ADC Control Register</i> : .....           | 52        |
| <b>ABSOLUTE MAXIMUM RATINGS</b> .....   | <b>22</b> | <i>Voltage Channel ADC Control Register</i> : .....           | 53        |
| ORDERING GUIDE .....  | 22        | <i>Temperature Channel ADC Control Register</i> : .....       | 54        |
| <i>ESD Caution</i> .....  | 22        | <i>ADC Filter Register</i> : .....                            | 55        |
| <b>PIN FUNCTION DESCRIPTIONS</b> .....  | <b>23</b> | <i>ADC Configuration Register</i> : .....                     | 57        |
| <b>ADUC7032 GENERAL DESCRIPTION</b> .....   | <b>26</b> | <i>Current Channel ADC Data Register</i> : .....              | 58        |
| OVERVIEW OF THE ARM7TDMI CORE .....   | 26        | <i>Voltage Channel Data Register</i> : .....                  | 58        |
| <i>ARM7 Exceptions</i> .....  | 27        | <i>Temperature Channel ADC Data Register</i> : .....          | 58        |
| <i>ARM Registers</i> .....  | 27        | <i>ADC FIFO Register</i> : .....                              | 58        |
| <i>Interrupt latency</i> .....  | 28        | <i>Current Channel ADC Offset Calibration Register</i> : ..   | 58        |
| MEMORY ORGANISATION .....   | 28        | <i>Voltage Channel Offset Calibration Register</i> : .....    | 58        |
| <i>Memory Format</i> .....  | 28        | <i>Temperature Channel Offset Calibration Register</i> : .... | 58        |
| SRAM.....   | 28        | <i>Current Channel ADC Gain Calibration Register</i> : ...    | 59        |
| <i>Remap</i> .....  | 29        | <i>Voltage Channel Gain Calibration Register</i> : .....      | 59        |
| <i>Remap operation</i> .....  | 29        | <i>Temperature Channel Gain Calibration Register</i> : .....  | 59        |
| <i>SYMAPO Register</i> : .....  | 29        | <i>Current Channel ADC Result Counter Limit Register</i> :    | 59        |
| ADUC7032 RESET .....  | 30        | .....   | 59        |
| <i>RSTCLR Register</i> : .....  | 30        | <i>Current Channel ADC Result Count Register</i> : .....      | 59        |
| <i>RSTSTA Register</i> : .....  | 30        | <i>Current Channel ADC Threshold Register</i> : .....         | 59        |
| FLASH/EE MEMORY AND THE ADUC7032 .....  | 31        | <i>Current Channel ADC Threshold Count Limit Register</i> :   | 59        |
| FLASH/EE MEMORY CONTROL INTERFACE.....  | 31        | .....   | 59        |
| <i>FEE0CON and FEE1CON Registers</i> : .....  | 32        | <i>Current Channel ADC Threshold Count Register</i> : .....   | 60        |
| <i>FEE0STA and FEE1STA Registers</i> : .....  | 33        | <i>Current Channel ADC Accumulator Register</i> : .....       | 60        |
| <i>FEE0ADR and FEE1ADR Registers</i> : .....  | 33        | <i>Current Channel ADC Accumulator Threshold</i>              | 60        |
| <i>FEE0DAT and FEE1DAT Registers</i> : .....  | 33        | <i>Register</i> : .....                                       | 60        |
| <i>FEE0MOD and FEE1MOD Registers</i> : .....  | 34        | <i>Low Power Voltage Reference Scaling Factor</i> .....       | 60        |
| FLASH/EE MEMORY SECURITY .....  | 34        | ADC POWER MODES OF OPERATION.....                             | 60        |
| <i>Block0, Flash/EE Memory Protection Registers</i> : .....                             | 35        | <i>ADC Startup Procedure</i> .....                            | 60        |
| <i>Block1, Flash/EE Memory Protection Registers</i> : .....                             | 35        | <i>ADC Normal Power Mode</i> .....                            | 61        |
| FLASH/EE MEMORY RELIABILITY .....   | 36        | <i>ADC Low Power Mode</i> .....                               | 61        |
| CODE EXECUTION TIME FROM SRAM AND FLASH/EE  | 37        | <i>ADC Low Power-Plus Mode</i> .....                          | 61        |
| <i>Execution from SRAM</i> .....  | 37        | <i>ADC Sinc3 Digital Filter Response</i> .....                | 61        |
| <i>Execution from Flash/EE</i> .....  | 37        | <i>ADC Calibration</i> .....                                  | 64        |
| ADUC7032 KERNEL .....   | 38        | <i>Using the Offset and Gain Calibration Registers</i> .....  | 64        |
| MEMORY MAPPED REGISTERS .....   | 40        | <i>Understanding the Offset and Gain Calibration</i>          | 64        |
| <b>16-BIT <math>\Sigma</math>-<math>\Delta</math> ANALOG TO DIGITAL CONVERTERS</b> . 45 |           | <i>Registers</i> .....  | 65        |
| CURRENT CHANNEL ADC (I-ADC) .....   | 45        | ADC DIAGNOSTICS .....   | 65        |
|   |           | <i>Current ADC Diagnostics</i> .....                          | 65        |
|   |           | <i>Temperature ADC Diagnostics</i> .....                      | 66        |
|   |           | <b>POWER SUPPLY SUPPORT CIRCUITS</b> .....                    | <b>67</b> |
|   |           | <b>ADUC7032 SYSTEM CLOCKS</b> .....                           | <b>68</b> |
|   |           | <i>PLLSTA Register</i> : .....                                | 69        |
|   |           | <i>PLLCON Pre-write Key PLLKEY0</i> : .....                   | 70        |

|   |           |   |            |
|---|-----------|---|------------|
| <i>PLLCON Pre-write Key PLLKEY1</i> :.....            | 70        | <i>High Voltage Configuration0 Register</i> :.....            | 100        |
| <i>PLLCON Register</i> :.....                         | 70        | <i>High Voltage Configuration1 Register</i> :.....            | 101        |
| <i>POWCON Pre-write Key POWKEY0</i> :.....            | 70        | <i>High Voltage Interrupt Status Register</i> :.....          | 102        |
| <i>POWCON Pre-write Key POWKEY1</i> :.....            | 70        | <i>High Voltage Monitor Register</i> :.....                   | 103        |
| <i>POWCON Register</i> :.....                         | 71        | WAKE-UP(WU).....  | 104        |
| ADUC7032 LOW POWER CLOCK CALIBRATION .....            | 72        | <i>Wake-Up(WU) Pin Circuit Description</i> .....              | 104        |
| <i>OSCOTRM Register</i> :.....                        | 73        | HANDLING INTERRUPTS FROM THE HIGH VOLTAGE                     |            |
| <i>OSCOCON Register</i> :.....                        | 73        | PERIPHERAL CONTROL INTERFACE.....                             | 105        |
| <i>OSCOSTA Register</i> :.....                        | 74        | LOW VOLTAGE FLAG (LVF).....                                   | 105        |
| <i>OSCOVAL0 Register</i> :.....                       | 74        | HIGH VOLTAGE DIAGNOSTICS.....                                 | 105        |
| <i>OSCOVAL1 Register</i> :.....                       | 74        | <b>UART SERIAL INTERFACE.....</b>                             | <b>106</b> |
| <b>PROCESSOR REFERENCE PERIPHERALS .....</b>          | <b>75</b> | BAUD RATE GENERATION .....                                    | 106        |
| INTERRUPT SYSTEM.....                                 | 75        | <i>Normal 450 UART baud rate generation</i> .....             | 106        |
| <b>TIMERS .....</b>                                   | <b>77</b> | <i>ADuC7032 Fractional divider</i> :.....                     | 106        |
| TIMER0 – LIFE-TIME TIMER .....                        | 78        | UART REGISTER DEFINITION .....                                | 107        |
| <i>Timer0 Value Register</i> :.....                   | 78        | <i>UART TX Register</i> :.....                                | 107        |
| <i>Timer0 Capture Register</i> :.....                 | 78        | <i>UART RX Register</i> :.....                                | 107        |
| <i>Timer0 Control Register</i> :.....                 | 79        | <i>UART Divisor Latch Register 0</i> :.....                   | 107        |
| <i>Timer0 Load Registers</i> :.....                   | 79        | <i>UART Divisor Latch Register 1</i> :.....                   | 107        |
| <i>Timer0 Clear Register</i> :.....                   | 79        | <i>UART Control Register 0</i> :.....                         | 108        |
| TIMER1 .....  | 80        | <i>UART Control Register 1</i> :.....                         | 109        |
| <i>Timer1 Load Registers</i> :.....                   | 80        | <i>UART Status Register 0</i> :.....                          | 109        |
| <i>Timer1 Clear Register</i> :.....                   | 80        | <i>UART Interrupt Enable Register 0</i> :.....                | 110        |
| <i>Timer1 Value Register</i> :.....                   | 80        | <i>UART Interrupt Identification Register 0</i> :.....        | 110        |
| <i>Timer1 Capture Register</i> :.....                 | 81        | <i>UART Fractional Divider Register</i> :.....                | 111        |
| <i>Timer1 Control Register</i> :.....                 | 81        | <b>SERIAL PERIPHERAL INTERFACE.....</b>                       | <b>112</b> |
| TIMER2 - WAKE-UP TIMER .....                          | 82        | <i>SPI Control Register</i> :.....                            | 113        |
| <i>Timer2 Load Registers</i> :.....                   | 82        | <i>SPI Status Register</i> :.....                             | 114        |
| <i>Timer2 Clear Register</i> :.....                   | 82        | <i>SPI Receive Register</i> :.....                            | 114        |
| <i>Timer2 Value Register</i> :.....                   | 82        | <i>SPI Transmit Register</i> :.....                           | 114        |
| <i>Timer2 Control Register</i> :.....                 | 83        | <i>SPI Divider Register</i> :.....                            | 114        |
| TIMER3 - WATCHDOG TIMER.....                          | 84        | <b>LIN (LOCAL INTERCONNECT NETWORK )</b>                      |            |
| <i>Timer3 Load Register</i> :.....                    | 84        | <b>INTERFACE .....</b>  | <b>115</b> |
| <i>Timer3 Value Register</i> :.....                   | 84        | LIN MMR DESCRIPTION .....                                     | 115        |
| <i>Timer3 Clear Register</i> :.....                   | 85        | <i>LIN Hardware Synchronization Status Register</i> :.....    | 116        |
| <i>Timer3 Control Register</i> :.....                 | 85        | <i>LIN Hardware Synchronization Control Register 0</i> :..... | 117        |
| <b>GENERAL PURPOSE I/O .....</b>                      | <b>86</b> | <i>LIN Hardware Synchronization Control Register 1</i> :..... | 118        |
| <i>GPIO Port0 Control Register</i> :.....             | 88        | <i>LIN Hardware Synchronization Timer0 Register</i> :.....    | 118        |
| <i>GPIO Port1 Control Register</i> :.....             | 89        | <i>LIN Hardware Break Timer1 Register</i> :.....              | 119        |
| <i>GPIO Port2 Control Register</i> :.....             | 89        | LIN HARDWARE INTERFACE .....                                  | 119        |
| <i>GPIO Port0 Data Register</i> :.....                | 90        | <i>LIN Frame Protocol</i> .....                               | 119        |
| <i>GPIO Port1 Data Register</i> :.....                | 91        | <i>LIN Frame Break Symbol</i> .....                           | 120        |
| <i>GPIO Port2 Data Register</i> :.....                | 92        | <i>LIN Frame Synchronization Byte</i> .....                   | 120        |
| <i>GPIO Port0 Set Register</i> :.....                 | 93        | <i>LIN Frame Protected Identifier</i> .....                   | 120        |
| <i>GPIO Port1 Set Register</i> :.....                 | 94        | <i>LIN Frame Data Byte</i> .....                              | 121        |
| <i>GPIO Port2 Set Register</i> :.....                 | 94        | <i>LIN Frame Data Transmission and Reception</i> .....        | 121        |
| <i>GPIO Port0 Clear Register</i> :.....               | 95        | <i>Example LIN Hardware Synchronization Routine</i> ....      | 122        |
| <i>GPIO Port1 Clear Register</i> :.....               | 95        | <i>LIN Diagnostics</i> .....                                  | 123        |
| <i>GPIO Port2 Clear Register</i> :.....               | 96        | <b>ADUC7032 ON-CHIP DIAGNOSTICS .....</b>                     | <b>124</b> |
| <b>HIGH VOLTAGE PERIPHERAL CONTROL</b>                |           | <i>ADC Diagnostics</i> .....                                  | 124        |
| <b>INTERFACE .....</b>                                | <b>97</b> | <i>High Voltage I/O Diagnostics</i> .....                     | 124        |
| <i>High Voltage Interface Control Register</i> :..... | 98        | <b>PART IDENTIFICATION .....</b>                              | <b>125</b> |
| <i>High Voltage Data Register</i> :.....              | 99        |   |            |

*System Serial ID Register 0:* ..... 125  
*System Serial ID Register 1:* ..... 126  
*System Kernel Checksum:* ..... 126

*System Identification FEE0ADR:* ..... 127  
**OUTLINE DIMENSIONS.....128**

## ADUC7032 DATASHEET TABLES

|   |    |  |    |
|---|----|--|----|
| Table 1 : ADUC7032—SPECIFICATIONS   | 8  | Table 29 : Allowable Combinations of SF and AF                   | 56 |
| Table 2 : SPI Master Mode Timing (PHASE Mode = 1)   | 15 | Table 30: ADCCFG MMR Bit Designations                            | 57 |
| Table 3 : SPI Master Mode Timing (PHASE Mode = 0)   | 16 | Table 31 : Allowable Combinations of SF and AF                   | 61 |
| Table 4 : SPI Slave Mode Timing (PHASE Mode = 1)  | 17 | Table 32 : Common ADCFLT Configurations                          | 63 |
| Table 5 : SPI Slave Mode Timing (PHASE Mode = 0)  | 18 | Table 33: Current ADC Diagnostics                                | 66 |
| Table 6. Absolute Maximum Ratings (T <sub>A</sub> = -40°C to 105°C unless otherwise noted)              | 22 | Table 34: Temperature ADC Diagnostics                            | 66 |
| Table 7: Pin Function Descriptions  | 23 | Table 35 : PLLSTA MMR Bit Description                            | 69 |
| Table 8: SYSMAP0 MMR Bit Designations   | 29 | Table 36: PLLCON MMR Bit description                             | 70 |
| Table 9 : Device RESET Implications   | 30 | Table 37 : POWCON MMR bit designations                           | 71 |
| Table 10: RSTSTA/RSTCLR MMR Bit Designations  | 30 | Table 38 : OSC0TRM MMR Bit Definition                            | 73 |
| Table 11: Command Codes in FEE0CON and FEE1CON  | 32 | Table 39: OSC0CON MMR Bit Definition                             | 73 |
| Table 12: FEE0STA and FEE1STA MMR bit designations  | 33 | Table 40 : OSC0STA MMR Bit Definition                            | 74 |
| Table 13: FEE0MOD and FEE1MOD MMR bit designations  | 34 | Table 41 : IRQ/FIQ MMRs bit description                          | 75 |
| Table 14: FEE0HID and FEE0PRO MMR bit designations  | 35 | Table 42 : SWICFG MMR Bit Descriptions                           | 76 |
| Table 15: FEE1HID and FEE1PRO MMR bit designations  | 35 | Table 43 : Timer Event Capture                                   | 77 |
| Table 16: Typical execution cycles in ARM/Thumb mode  | 37 | Table 44 : T0CON MMR Bit Descriptions                            | 79 |
| Table 17 : Complete MMR List  | 41 | Table 45 : T1CON MMR Bit Descriptions                            | 81 |
| Table 18 : GND_SW Configuration   | 47 | Table 46 : T2CON MMR Bit Descriptions                            | 83 |
| Table 19 : Current Channel ADC, Normal Power Mode, Typical Output RMS Noise (μV)                        | 48 | Table 47 : T3CON MMR Bit Definition                              | 85 |
| Table 20 : Voltage Channel ADC, Typical Output RMS Noise (referred to ADC Voltage attenuator Input)(μV) | 48 | Table 48 : External GPIO Pin to Internal Port Signal Assignments | 87 |
| Table 21 : Temperature Channel ADC, Typical Output RMS Noise (μV)                                       | 48 | Table 49 : GP0CON MMR Bit Designations                           | 88 |
| Table 22 : ADCSTA MMR Bit Designations  | 49 | Table 50 : GP1CON MMR Bit Designations                           | 89 |
| Table 23 : ADCMDE MMR Bit Designations  | 51 | Table 51 : GP2CON MMR Bit Designations                           | 89 |
| Table 24 : ADC0CON MMR Bit Designations   | 52 | Table 52 : GP0DAT MMR Bit Descriptions                           | 90 |
| Table 25 : ADC1CON MMR Bit Designations   | 53 | Table 53 : GP1DAT MMR Bit Descriptions                           | 91 |
| Table 26 : ADC2CON MMR Bit Designations   | 54 | Table 54 :GP2DAT MMR Bit Descriptions                            | 92 |
| Table 27 : ADCFLT MMR Bit Designations  | 55 | Table 55 : GP0SET MMR Bit Descriptions                           | 93 |
| Table 28 : ADC Conversion Rates and Settling Times  | 56 | Table 56 : GP1SET MMR Bit Descriptions                           | 94 |
|   |    | Table 57 : GP2SET MMR Bit Descriptions                           | 94 |
|   |    | Table 58 : GP0CLR MMR Bit Descriptions                           | 95 |

|  |     |  |     |
|--|-----|--|-----|
| Table 59 : GP1CLR MMR Bit Descriptions                       | 95  | Table 74 : COMIEN0 MMR Bit Descriptions                      | 110 |
| Table 60 : GP2CLR MMR Bit Descriptions                       | 96  | Table 75 : COMIID0 MMR Bit Descriptions                      | 110 |
| Table 61: HVCON MMR Write Bit Designations                   | 98  | Table 76 : COMDIV2 MMR Bit Descriptions                      | 111 |
| Table 62: HVCON MMR Read Bit Designations                    | 98  | Table 77 : SPI Output Pins                                   | 112 |
| Table 63: HVDAT MMR Bit Designations                         | 99  | Table 78: SPI speed vs. clock divider bits in master mode    | 112 |
| Table 64: HVCFG0 Bit Designations                            | 100 | Table 79 : SPICON MMR Bit Descriptions                       | 113 |
| Table 65: HVCFG1 Bit Designations                            | 101 | Table 80 : SPISTA MMR Bit Descriptions                       | 114 |
| Table 66: HVSTA Bit Designations                             | 102 | Table 81 : LHSSTA MMR Bit Descriptions                       | 116 |
| Table 67: HVMON Bit Designations                             | 103 | Table 82 : LHSCON0 MMR Bit Descriptions                      | 117 |
| Table 68: High Voltage Diagnostics                           | 105 | Table 83 : LHSCON1 MMR Bit Descriptions                      | 118 |
| Table 69 : Baud rate using the standard Baud rate generator  | 106 | Table 84 : SYSSER0 MMR Bit Descriptions                      | 125 |
| Table 70: Baud rate using the Fractional Baud rate generator | 106 | Table 85: SYSSER1 MMR Bit Descriptions                       | 126 |
| Table 71 : COMCON0 MMR Bit Descriptions                      | 108 | Table 86: FEE0ADR System Identification MMR Bit Descriptions | 127 |
| Table 72 : COMCON1 MMR Bit Descriptions                      | 109 |  |     |
| Table 73: COMSTA0 MMR Bit Descriptions                       | 109 |  |     |

## ADUC7032 DATASHEET FIGURES

|  |    |  |     |
|--|----|--|-----|
| Figure 1: ADuC7032 Functional Block Diagram.....   | 1  | Figure 24 : Typical Digital Filter Response at FADC=4Hz,<br>(ADCFLT = 0xBF1D) .....              | 63  |
| Figure 2. SPI Master Mode Timing (PHASE Mode = 1).....                                     | 15 | Figure 25 : Typical Digital Filter Response at FADC=1Hz,<br>(ADCFLT = 0xBD1F.....                | 63  |
| Figure 3. SPI Master Mode Timing (PHASE Mode = 0).....                                     | 16 | Figure 26: Typical Power-On Cycle .....  | 67  |
| Figure 4. SPI Slave Mode Timing (PHASE Mode = 1).....                                      | 17 | Figure 27: ADuC7032 System Clock Generation .....  | 68  |
| Figure 5 : SPI Slave Mode Timing (PHASE Mode = 0).....                                     | 18 | Figure 28 : Example OSC0TRM Calibration Routine.....   | 72  |
| Figure 6 : LIN V1.3 Timing Specification .....   | 19 | Figure 29: Interrupt Structure .....   | 76  |
| Figure 7 : LIN V2.0 Timing Specification .....   | 20 | Figure 30 : Timer 0 block diagram.....   | 78  |
| Figure 8 : Package Pin Configuration .....   | 22 | Figure 31 : Timer 1 Block Diagram .....  | 80  |
| Figure 9: ADuC7032 Register Organization.....  | 27 | Figure 32 : Timer 2 block diagram.....   | 82  |
| Figure 10: Little Endian Format .....  | 28 | Figure 33 : Timer3 Block Diagram .....   | 84  |
| Figure 11: ADuC7032 Memory Map.....  | 28 | Figure 34 : ADuC7032 GPIO.....   | 86  |
| Figure 12. Flash/EE Memory Data Retention .....  | 36 | Figure 35 : High Voltage Interface, Top Level Block Diagram..                                    | 97  |
| Figure 13: ADuC7032 Kernel Flowchart.....  | 39 | Figure 36 : WU Circuit, Block Diagram .....  | 104 |
| Figure 14: Top Level MMR Map .....   | 40 | Figure 37 : Fractional Divider Baud Rate generation.....   | 106 |
| Figure 15: Current ADC, Top Level Overview.....  | 45 | Figure 38 : LIN I/O, Block Diagram .....   | 115 |
| Figure 16 : Voltage/ Temperature ADC, Top Level Overview...46                              |    | Figure 39 : LIN Interface Timing.....  | 119 |
| Figure 17 : Example External Temperature Sensor Circuits.....47                            |    | Figure 40 : LIN Break Field.....   | 120 |
| Figure 18: Internal Ground Switch Configuration .....                                      | 47 | Figure 41 : LIN Synch byte Field .....   | 120 |
| Figure 19 : Typical Digital Filter Response at FADC=1.0kHz<br>(ADCFLT = 0x0007) .....      | 62 | Figure 42 : LIN Identifier Byte Field.....   | 120 |
| Figure 20 : ModifiedSinc3 Digital Filter Response at<br>FADC=1.0kHz (ADCFLT = 0x0087)..... | 62 | Figure 43 : LIN Data Byte Field.....   | 121 |
| Figure 21 : Typical Digital Filter Response at FADC=8KHz,<br>(ADCFLT = 0x0000) .....       | 62 | Figure 44 : Example LIN Configuration .....  | 123 |
| Figure 22 : Typical Digital Filter Response at FADC=8KHz,<br>(ADCFLT = 0x4000) .....       | 62 | Figure 45 : 48-Lead, Plastic Quad Flat Pack, (LQFP-48),<br>Dimensions shown in millimeters ..... | 128 |
| Figure 23 Typical Digital Filter Response at FADC=8KHz,<br>(ADCFLT = 0x961F).....          | 63 |  |     |

# ADUC7032 SPECIFICATIONS

## ELECTRICAL SPECIFICATIONS

Table 1 : ADUC7032—SPECIFICATIONS

(V<sub>DD</sub> = 3.5V to 18V, V<sub>REF</sub> = 1.2 V Internal Reference, f<sub>CORE</sub> = 10.24MHz driven from external 32.768kHz watch crystal or on-chip precision oscillator, All specifications T<sub>A</sub> = -40°C to 105C, unless otherwise noted.)

| Parameter                              | Test Conditions/Comments                                 | Min   | Typ   | Max   | Unit       |
|--|--|-------|-------|-------|------------|
| <b>ADC SPECIFICATIONS</b>              |  |       |       |       |            |
| Conversion Rate <sup>1</sup>           | Chop Off, ADC Normal Operating Mode                      | 4     |       | 8000  | Hz         |
|  | Chop On, ADC Normal Operating Mode                       | 4     |       | 2600  | Hz         |
|  | Chop On, ADC Low Power Mode                              | 1     |       | 650   | Hz         |
| Current Channel                        |  |       |       |       |            |
| No Missing Codes <sup>1</sup>          | Valid for all ADC Update Rates and ADC Modes             | 16    |       |       | Bits       |
| Integral Nonlinearity <sup>1,2</sup>   |  |       | ±10   | ±60   | PPM of FSR |
| Offset Error <sup>2,3,4,5</sup>        | Chop Off, 1LSB = (36.6/Gain)µV                           | -10   | ±3    | +10   | LSB        |
| Offset Error <sup>1,3,6</sup>          | Chop On  | -2    | ±0.5  | +2    | µV         |
| Offset Error Drift <sup>6</sup>        | Chop off, Valid for ADC Gains of 4 – 64, Normal Mode     |       | 0.03  |       | LSB/°C     |
| Offset Error Drift <sup>6</sup>        | Chop off. Valid for ADC Gains of 128 – 512, Normal Mode  |       | 30    |       | nV/°C      |
| Offset Error Drift <sup>6</sup>        | Chop On  |       | 10    |       | nV/°C      |
| Total Gain Error <sup>1,3,7,8,9</sup>  | Normal Mode  | -0.5  | ±0.1  | +0.5  | %          |
| Total Gain Error <sup>1,3,7,9,10</sup> | Low Power Mode   | -2    | ±0.2  | +2    | %          |
| Total Gain Error <sup>1,3,7,9,11</sup> | Low Power-Plus Mode, using Precision Vref                | -1    | ±0.2  | +1    | %          |
| Gain Drift                             |  |       | 3     |       | ppm/°C     |
| PGA Gain Mismatch Error                |  |       | ±0.1  |       | %          |
| Output Noise <sup>1,12</sup>           | 4Hz Update Rate, Gain = 512, Chop Enabled                |       | 60    | 90    | nV rms     |
|  | 10Hz Update Rate, Gain = 512, Chop Enabled               |       | 100   | 150   | nV rms     |
|  | 1KHz Update Rate, Gain = 512                             |       | 0.6   | 0.9   | µV rms     |
|  | 1KHz Update Rate, Gain = 32                              |       | 0.8   | 1.2   | µV rms     |
|  | 1KHz Update Rate, Gain = 4                               |       | 2.0   | 2.8   | µV rms     |
|  | 8KHz Update Rate, Gain = 32                              |       | 2.5   | 3.5   | µV rms     |
|  | 8KHz Update Rate, Gain = 4                               |       | 14    | 21    | µV rms     |
|  | ADC Low Power Mode, F <sub>ADC</sub> = 10Hz, Gain=128    |       | 1.25  | 1.9   | µV rms     |
|  | ADC Low Power Mode, F <sub>ADC</sub> = 1Hz, Gain=128     |       | 0.35  | 0.5   | µV rms     |
|  | ADC Low Power-Plus Mode, F <sub>ADC</sub> =1Hz, Gain=512 |       | 0.1   | 0.15  | µV rms     |
|  | Voltage Channel <sup>13</sup>                            |       |       |       |            |
| No Missing Codes <sup>1</sup>          | Valid at all ADC Update Rates                            | 16    |       |       | Bits       |
| Integral Nonlinearity <sup>1</sup>     |  |       | ±10   | ±60   | ppm of FSR |
| Offset Error <sup>3,5</sup>            | Chop Off, 1 LSB <sub>16</sub> =439.5uV                   | -10   | ±1    | +10   | LSB        |
| Offset Error <sup>1,3</sup>            | Chop On  |       | 0.3   | 1     | LSB        |
| Offset Error Drift                     | Chop Off   |       | 0.03  |       | LSB/°C     |
| Total Gain Error <sup>1,3,7,14</sup>   | Includes Resistor Mismatch                               | -0.25 | ±0.06 | +0.25 | %          |
| Total Gain Error <sup>1,3,7,14</sup>   | Temperature Range = -25°C to 65°C                        | -0.15 | ±0.03 | +0.15 | %          |
| Gain Drift                             | Includes Resistor Mismatch Drift                         |       | 3     |       | ppm/°C     |
| Output Noise <sup>1,15</sup>           | 4Hz Update Rate  |       | 60    | 90    | µV rms     |
|  | 10Hz Update Rate   |       | 60    | 90    | µV rms     |
|  | 1KHz Update Rate   |       | 180   | 270   | µV rms     |
|  | 8KHz Update Rate   |       | 1600  | 2400  | µV rms     |



| Parameter  | Test Conditions/Comments                        | Min   | Typ       | Max   | Unit       |
|--|---|-------|-----------|-------|------------|
| Temperature Channel  |   |       |           |       |            |
| No Missing Codes <sup>1</sup>                                      | Valid at all ADC Update Rates                   | 16    |           |       | Bits       |
| Integral Nonlinearity <sup>1</sup>                                 |   |       | ±10       | ±60   | ppm of FSR |
| Offset Error <sup>3, 5, 16, 17</sup>                               | Chop Off, 1 LSB <sub>16</sub> =19.84µV          | -10   | ±3        | +10   | LSB        |
| Offset Error <sup>1, 3</sup>                                       | Chop On   | -5    | 1         | 5     | LSB        |
| Offset Error Drift   |   |       | 0.03      |       | LSB/°C     |
| Total Gain Error <sup>1, 3, 18, 19, 17</sup>                       |   | -0.2  | ±0.06     | +0.2  | %          |
| Gain Drift   |   |       | 3         |       | ppm/°C     |
| Output Noise <sup>1</sup>  | 1KHz Update Rate                                |       | 7.5       | 11.25 | µV rms     |
| <b>ADC SPECIFICATIONS</b>  |   |       |           |       |            |
| ANALOG INPUT   | Internal V <sub>REF</sub> =1.2V                 |       |           |       |            |
| Current Channel  |   |       |           |       |            |
| Absolute Input Voltage Range                                       | Applies to both IIN+ and IIN-                   | -200  |           | +300  | mV         |
| Input Voltage Range <sup>20, 21</sup>                              | Gain =1 <sup>22</sup>                           |       | ±1.2      |       | mV         |
|  | Gain =2 <sup>22</sup>                           |       | ±600      |       | mV         |
|  | Gain =4 <sup>22</sup>                           |       | ±300      |       | mV         |
|  | Gain =8   |       | ±150      |       | mV         |
|  | Gain = 16                                       |       | ±75       |       | mV         |
|  | Gain = 32                                       |       | ±37.5     |       | mV         |
|  | Gain = 64                                       |       | ±18.75    |       | mV         |
|  | Gain = 128                                      |       | ±9.375    |       | mV         |
|  | Gain = 256                                      |       | ±4.68     |       | mV         |
|  | Gain = 512                                      |       | ±2.3      |       | mV         |
| Input Leakage Current <sup>1</sup>                                 |   | -3    |           | 3     | nA         |
| Input Offset Current <sup>1, 23</sup>                              |   |       | 0.5       | 1.5   | nA         |
| Voltage Channel  |   |       |           |       |            |
| Absolute Input Voltage Range                                       |   | 4     |           | 18    | V          |
| Input Voltage Range  |   |       | 0 to 28.8 |       | V          |
| VBAT Input Current   | VBAT = 18V                                      | 4     | 5.5       | 7     | µA         |
| Temperature Channel  |   |       |           |       |            |
| Absolute Input Voltage Range                                       |   | 100   |           | 1300  | mV         |
| Input Voltage Range  |   |       | 0 to VREF |       | V          |
| VTEMP Input Current <sup>1</sup>                                   |   |       | 2.5       | 100   | nA         |
| <b>VOLTAGE REFERENCE</b>   |   |       |           |       |            |
| ADC Precision Reference  |   |       |           |       |            |
| Internal V <sub>REF</sub>  |   |       | 1.2       |       | V          |
| Power Up Time <sup>1</sup>   |   |       | 0.5       |       | Ms         |
| Initial Accuracy <sup>1</sup>                                      | Measured at T <sub>A</sub> = 35°C               | -0.15 |           | 0.15  | %          |
| Internal V <sub>REF</sub> Temperature Coefficient <sup>1, 24</sup> |   | -20   | ±5        | +20   | ppm/°C     |
| Long term stability <sup>25</sup>                                  |   |       | 100       |       | ppm/1000h  |
| External Reference Input Range <sup>26</sup>                       |   | 0.1   |           | 1.3   | V          |
| V <sub>REF</sub> Divide by 2 Initial Error <sup>1</sup>            |   |       | 0.1       | 0.3   | %          |
| ADC Low Power Reference  |   |       |           |       |            |
| Internal V <sub>REF</sub>  |   |       | 1.2       |       | V          |
| Initial Accuracy   | Measured at T <sub>A</sub> = 35°C               | -5    |           | 5     | %          |
| Initial Accuracy <sup>10</sup>                                     | Using ADCREF, measured at T <sub>A</sub> = 35°C |       | 0.1       |       | %          |
| Temperature Coefficient <sup>1, 24</sup>                           |   | -300  | ±150      | +300  | ppm/°C     |

| Parameter                              | Test Conditions/Comments   | Min    | Typ      | Max  | Unit    |
|--|--|--------|----------|------|---------|
| <b>RESISTIVE ATTENUATOR</b>            |  |        |          |      |         |
| Divider Ratio                          |  |        | 24       |      |         |
| Resistor Mismatch Drift                |  |        | 3        |      | ppm/°C  |
| <b>ADC Ground Switch</b>               |  |        |          |      |         |
| Resistance                             | Direct path to ground<br>20kΩ Resistor selected                        | 10     | 10<br>20 | 30   | Ω<br>kΩ |
| Input Current                          |  |        |          | 6    | mA      |
| <b>TEMPERATURE SENSOR<sup>27</sup></b> |  |        |          |      |         |
| Accuracy                               | MCU in power down or standby mode                                      |        | ±3       |      | °C      |
|  | MCU in power down or standby mode<br>Temperature Range = -25°C to 65°C |        | ±2       |      | °C      |
| <b>POWER-ON RESET (POR)</b>            |  |        |          |      |         |
| POR Trip Level                         | Refers to Voltage at V <sub>DD</sub> pin                               | 2.85   | 3.0      | 3.15 | V       |
| POR Hysteresis                         |  |        | 300      |      | mV      |
| RESET Time-Out from POR                |  |        | 20       |      | msec    |
| <b>LOW VOLTAGE FLAG (LVF)</b>          |  |        |          |      |         |
| LVF Level                              | Refers to Voltage at V <sub>DD</sub> pin                               | 1.9    | 2.1      | 2.3  | V       |
| <b>POWER SUPPLY MONITOR (PSM)</b>      |  |        |          |      |         |
| PSM Trip Level                         | Refers to Voltage at V <sub>DD</sub> pin                               |        | 6.0      |      | V       |
| <b>WATCHDOG TIMER (WDT)</b>            |  |        |          |      |         |
| Timeout Period <sup>1</sup>            | 32.768Khz Clock, 256 pre-scale   | 0.008  |          | 512  | sec     |
| Timeout Step Size                      |  |        | 7.8      |      | msec    |
| <b>FLASH/EE MEMORY<sup>1</sup></b>     |  |        |          |      |         |
| Endurance <sup>28</sup>                | 32.768Khz Clock, 256 pre-scale   | 10,000 |          |      | Cycles  |
| Data Retention <sup>29</sup>           | T <sub>J</sub> = 85°C  | 20     |          |      | Years   |
| <b>DIGITAL INPUTS</b>                  |  |        |          |      |         |
| Input Leakage Current                  | All digital inputs except NTRST  |        | ±1       | ±10  | μA      |
| Input Pull-up Current                  | Input (High) = REG_DVDD  | 10     | 20       | 80   | μA      |
| Input Capacitance                      | Input (Low) = 0V   |        | 10       |      | pF      |
| Input Leakage Current                  | NTRST Only : Input (Low) = 0V  |        | ±1       | ±10  | μA      |
| Input Pull-down Current                | NTRST Only : Input (High) = REG_DVDD                                   | 30     | 55       | 100  | μA      |

| Parameter  | Test Conditions/Comments  | Min       | Typ                | Max         | Unit                         |
|--|---|-----------|--------------------|-------------|------------------------------|
| <b>LOGIC INPUTS <sup>1</sup></b>   |   |           |                    |             |                              |
| VINL, Input Low Voltage<br>VINH, Input High Voltage  | All Logic inputs  | 2.0       |                    | 0.4         | V<br>V                       |
| <b>CRYSTAL OSCILLATOR<sup>1</sup></b>  |   |           |                    |             |                              |
| Logic Inputs, XTAL1 Only<br>VINL, Input Low Voltage<br>VINH, Input High Voltage<br>XTAL1 Capacitance<br>XTAL2 Capacitance  |   | 1.7       | 12<br>12           | 0.8         | V<br>V<br>pF<br>pF           |
| <b>ON-CHIP OSCILLATORS</b>   |   |           |                    |             |                              |
| Low Power Oscillator<br>Accuracy <sup>30</sup>   | Includes drift data from 1000hr life-test   | -6        | 131.072            | 3           | kHz<br>%                     |
| Precision Oscillator<br>Accuracy   | Includes drift data from 1000hr life-test   | -1.2      | 131.072            | 1.2         | kHz<br>%                     |
| <b>MCU CLOCK RATE</b>  |   |           |                    |             |                              |
|  | 8 programmable core clock selections within this range (binary divisions 1,2,4,8.....64, 128)         | 0.160     | 10.24              | 20.48       | MHz                          |
| <b>MCU START-UP TIME</b>   |   |           |                    |             |                              |
| at Power-On<br>after Reset Event   | Includes kernel power-on execution time<br>Includes kernel power-on execution time                    |           | 25<br>5            |             | msec<br>msec                 |
| From MCU Power-Down<br>Oscillator Running<br>Wakeup from Interrupt<br>Wakeup from LIN<br>Crystal Powered Down<br>Wakeup from Interrupt<br>Internal PLL Lock Time |   |           | 2<br>2<br>500<br>1 |             | msec<br>msec<br>msec<br>msec |
| <b>LIN I/O General</b>   |   |           |                    |             |                              |
| Baud Rate<br>VDD   | Supply Voltage Range for which the LIN interface is functional  | 1000<br>7 |                    | 20000<br>18 | Bits/sec<br>V                |
| Input capacitance<br>LIN comparator response<br>time <sup>Error! Bookmark not defined.</sup>   | Using 220ohm resistor   |           | 5.5<br>38          | 90          | pF<br>μs                     |
| I <sub>LIN DOM MAX</sub>   | Current Limit for driver when LIN Bus is in dominant state. V <sub>BAT</sub> = V <sub>BAT (MAX)</sub> | 40        |                    | 200         | mA                           |
| I <sub>LIN_PAS_REC</sub>   | Driver Off ; 7.0V < V <sub>BUS</sub> < 18V ; V <sub>DD</sub> = V <sub>LIN</sub> -0.7V                 |           |                    | 20          | μA                           |
| I <sub>LIN_PAS_DOM</sub> <sup>1</sup>  | Input Leakage V <sub>LIN</sub> = 0V   | -1        |                    |             | mA                           |

| Parameter   | Test Conditions/Comments   | Min           | Typ          | Max           | Unit       |
|---|--|---------------|--------------|---------------|------------|
| $I_{LIN\_NO\_GND}^{31}$                             | Control Unit disconnected from ground<br>GND = $V_{DD}$ ; 0V $V_{LIN} < 18V$ ; $V_{BAT} = 12V$   | -1            |              | 1             | mA         |
| $V_{LIN\_DOM}^1$                                    | LIN Receiver Dominant State, $V_{DD} > 7.0V$   |               |              | $0.4V_{DD}$   | V          |
| $V_{LIN\_REC}^1$                                    | LIN Receiver Recessive State, $V_{DD} > 7.0V$  | $0.6V_{DD}$   |              |               | V          |
| $V_{LIN\_CNT}^1$                                    | LIN Receiver Centre Voltage, $V_{DD} > 7.0V$   | $0.475V_{DD}$ | $0.5 V_{DD}$ | $0.525V_{DD}$ | V          |
| $V_{HYS}^1$   | LIN Receiver Hysteresis Voltage  |               |              | $0.175V_{DD}$ | V          |
| $V_{LIN\_DOM\_DRV\_LOSUP}^1$                        | LIN Dominant Output Voltage. $V_{DD} 7V, R_L 500\Omega$  |               |              | 1.2           | V          |
| $V_{LIN\_DOM\_DRV\_HISUP}$                          | LIN Dominant Output Voltage. $V_{DD} 18V, R_L 500\Omega$   |               |              | 2             | V          |
| $V_{LIN\_DOM\_DRV\_LOSUP}^1$                        | LIN Dominant Output Voltage. $V_{DD} 7V, R_L 1000\Omega$   | 0.6           |              |               | V          |
| $V_{LIN\_DOM\_DRV\_HISUP}^1$                        | LIN Dominant Output Voltage. $V_{DD} 18V, R_L 1000\Omega$  | 0.8           |              |               | V          |
| $V_{LIN\_RECESSIVE}$                                | LIN Recessive Output Voltage   | $0.8 V_{DD}$  |              |               | V          |
| $V_{BAT-Shift}^{31}$                                |  | 0             |              | $0.1V_{DD}$   | V          |
| GND-Shift <sup>31</sup>                             |  | 0             |              | $0.1V_{DD}$   | V          |
| $R_{slave}$   | Slave Termination Resistance   | 20            | 30           | 47            | K $\Omega$ |
| $V_{Serial\ Diode}^{31}$                            | Voltage Drop at the serial diode $D_{Ser\_Int}$  | 0.4           | 0.7          | 1             | V          |
| <b>LIN I/O General Contd.</b>                       |  |               |              |               |            |
| Transmit Propagation Delay <sup>1</sup>             | $V_{DD_{MIN}} = 7V$<br><br>Bus Load Conditions ( $C_{BUS}    R_{BUS}$ ):<br>$1nF    1k\Omega$ ; $6.8nF    660\Omega$ ; $10nF    500\Omega$                                       |               |              | 4             | $\mu s$    |
| Symmetry of Transmit Propagation Delay <sup>1</sup> | $V_{DD_{MIN}} = 7V$  | -2            |              | 2             | $\mu s$    |
| Receive Propagation Delay <sup>1</sup>              | $V_{DD_{MIN}} = 7V$  |               |              | 6             | $\mu s$    |
| Symmetry of Receive Propagation Delay <sup>1</sup>  | $V_{DD_{MIN}} = 7V$  | -2            |              | 2             | $\mu s$    |
| <b>LIN V1.3 Specification</b>                       |  |               |              |               |            |
| $\left  \frac{dV}{dt} \right _1$                    | Bus Load Conditions ( $C_{BUS}    R_{BUS}$ ):<br>$1nF    1k\Omega$ ; $6.8nF    660\Omega$ ; $10nF    500\Omega$<br><br>Slew Rate<br>Dominant and recessive Edges $V_{BAT} = 18V$ | 1             | 2            | 3             | V/ $\mu s$ |
| $\left  \frac{dV}{dt} \right _1$                    | Slew Rate<br>Dominant and recessive Edges $V_{BAT} = 7V$   | 0.5           |              | 3             | V/ $\mu s$ |
| $t_{SYM}$   | Symmetry of rising and falling edge $V_{BAT} = 18V$  | -5            |              | 5             | $\mu s$    |
| $t_{SYM}^1$   | Symmetry of rising and falling edge $V_{BAT} = 7V$   | -4            |              | 4             | $\mu s$    |

| Parameter   | Test Conditions/Comments   | Min   | Typ | Max   | Unit          |
|---|--|-------|-----|-------|---------------|
| <b>LIN V2.0 Specification</b>                             | Bus Load Conditions ( $C_{BUS}    R_{BUS}$ ) :<br>1nF  1k $\Omega$ ; 6.8nF   660 $\Omega$ ; 10nF    500 $\Omega$   |       |     |       |               |
| D1  | Duty Cycle 1<br>$TH_{REC(MAX)} = 0.744 * V_{BAT}$<br>$TH_{DOM(MAX)} = 0.581 * V_{BAT}$<br>$V_{SUP} = 7.0V...18V$ ; $t_{BIT} = 50\mu s$<br>$D1 = t_{BUS\_REC(MIN)} / (2 * t_{BIT})$ | 0.396 |     |       |               |
| D2  | Duty Cycle 2<br>$TH_{REC(MIN)} = 0.284 * V_{BAT}$<br>$TH_{DOM(MIN)} = 0.422 * V_{BAT}$<br>$V_{SUP} = 7.0V...18V$ ; $t_{BIT} = 50\mu s$<br>$D2 = t_{BUS\_REC(MAX)} / (2 * t_{BIT})$ |       |     | 0.581 |               |
| <b>Wake</b>   | $R_L = 1k\Omega$ , $C_{BUS} = 91nF$ , $R_{LIMIT} = 390\Omega$  |       |     |       |               |
| VDD <sup>1</sup>  | Supply Voltage Range for which the Wake Pin is functional  | 7     |     | 18    | V             |
| V <sub>OH</sub> <sup>32</sup>                             | Output High Level  | 5     |     |       | V             |
| V <sub>OL</sub> <sup>32</sup>                             | Output Low Level   |       |     | 2     | V             |
| V <sub>IH</sub>   | Input High Level   | 4.6   |     |       | V             |
| V <sub>IL</sub>   | Input Low Level  |       |     | 1.2   | V             |
| Monoflop Timeout  | Timeout Period   |       | 1.3 |       | sec           |
| <b>Package Thermal Specifications</b>                     |  |       |     |       |               |
| Thermal Shutdown <sup>33</sup>                            |  | 140   | 150 | 160   | $^{\circ}C$   |
| Thermal Impedance ( $\theta_{ja}$ ) <sup>34</sup>         | 48 LQFP, Stacked Die   |       |     |       |               |
|   | Top Die  |       | 50  |       | $^{\circ}C/W$ |
|   | Bottom Die   |       | 25  |       | $^{\circ}C/W$ |
| <b>POWER REQUIREMENTS</b>                                 |  |       |     |       |               |
| Power Supply Voltages                                     |  |       |     |       |               |
| V <sub>DD</sub> (Battery Supply)                          |  | 3.5   |     | 18    | V             |
| REG_DV <sub>DD</sub> , REG_AV <sub>DD</sub> <sup>35</sup> |  | 2.5   | 2.6 | 2.7   | V             |
| Power Consumption   |  |       |     |       |               |
| I <sub>DD</sub> – MCU Normal Mode <sup>36</sup>           | MCU Clock Rate = 10.24MHz, ADC Off   |       | 10  | 20    | mA            |
| I <sub>DD</sub> – MCU Normal Mode <sup>36</sup>           | MCU Clock Rate = 20.48MHz, ADC Off   |       | 20  |       | mA            |
| I <sub>DD</sub> – MCU Powered Down <sup>1</sup>           | ADC Low Power Mode, measured over an ambient temperature range of -10 $^{\circ}C$ to +40 $^{\circ}C$ (Continuous ADC Conversion)   |       | 300 | 400   | $\mu A$       |
| I <sub>DD</sub> –MCU Powered Down <sup>1</sup>            | ADC Low Power Mode, measured over an ambient temperature range of -40 $^{\circ}C$ to +85 $^{\circ}C$ (Continuous ADC Conversion)   |       | 300 | 500   | $\mu A$       |

| Parameter                                | Test Conditions/Comments   | Min | Typ | Max | Unit |
|--|--|-----|-----|-----|------|
| $I_{DD}$ – MCU Powered Down <sup>1</sup> | ADC Low Power-Plus Mode, measured over an ambient temperature range of -10°C to +40°C (Continuous ADC Conversion)                            |     | 520 | 700 | μA   |
| $I_{DD}$ – MCU Powered Down              | Average Current, Measured with Wake and Watchdog Timer clocked from Low Power Oscillator   |     | 120 | 300 | μA   |
| $I_{DD}$ – MCU Powered Down <sup>1</sup> | Average Current, Measured with Wake and Watchdog Timer clocked from Low Power Oscillator over an ambient temperature range of -10°C to +40°C |     | 120 | 175 | μA   |
| $I_{DD}$ – Current ADC                   |  |     | 1.7 |     | mA   |
| $I_{DD}$ – Voltage/Temperature ADC       | Per ADC  |     | 0.5 |     | mA   |
| $I_{DD}$ – Precision Oscillator          |  |     | 400 |     | μA   |

<sup>1</sup> These numbers are not production tested but are guaranteed by design and/or characterization data at production release

<sup>2</sup> Valid for Current ADC Gain setting of PGA=4 to 64

<sup>3</sup> These numbers include temperature drift

<sup>4</sup> Tested at Gain Range=4, Self-Offset Calibration will remove this error.

<sup>5</sup> Measured with an internal short after an initial offset calibration.

<sup>6</sup> Measured with an internal short

<sup>7</sup> These numbers include internal reference temperature drift.

<sup>8</sup> Factory Calibrated at Gain = 1.

<sup>9</sup> System calibration at specific gain range will remove the error at this gain range

<sup>10</sup> When used in conjunction with ADCREF, the Low Power Mode Reference error MMR.

<sup>11</sup> Using ADC Normal Mode Voltage Reference

<sup>12</sup> Typical Noise in Low Power modes is measured with Chop enabled.

<sup>13</sup> Voltage Channel Specifications include resistive attenuator input stage

<sup>14</sup> System Calibration will remove this error

<sup>15</sup> rms noise is referred to Voltage attenuator input, for example at  $F_{ADC}=1\text{KHz}$ , typical rms noise at the ADC input is 7.5uV, scaled by the attenuator (24) yields these input referred noise figures

<sup>16</sup> ADC Self Offset calibration will remove this error.

<sup>17</sup> Valid after an initial Self Calibration

<sup>18</sup> Factory calibrated for the internal temperature sensor during final production test.

<sup>19</sup> System Calibration will remove this error

<sup>20</sup> In ADC Low Power Mode the input range is fixed at  $\pm 9.375\text{mV}$ . In ADC Low Power Plus Mode the input range is fixed at  $\pm 2.34375\text{mV}$ .

<sup>21</sup> It is possible to extend the ADC input range by up to 10% by modifying the factory set value of the Gain Calibration register or using system calibration. This approach can also be used to reduce the ADC Input Range (LSB Size).

<sup>22</sup> Limited by minimum absolute input voltage range.

<sup>23</sup> Valid for a differential input less than 10mV

<sup>24</sup> Measured using Box Method

<sup>25</sup> The long-term stability specification is non cumulative. The drift in subsequent 1,000 hour periods is significantly lower than in the first 1,000 hour period.

<sup>26</sup> References of up to REG\_AVDD can be accommodated by enabling an internal Divide-by-2

<sup>27</sup> Die Temperature.

<sup>28</sup> Endurance is qualified to 10,000 cycles as per JEDEC Std. 22 method A117 and measured at -40°C, +25°C and +125°C. Typical endurance at 25°C is 170,000 cycles.

<sup>29</sup> Retention lifetime equivalent at junction temperature ( $T_j$ ) = 85°C as per JEDEC Std. 22 method A117. Retention lifetime will de-rate with junction temperature.

<sup>30</sup> Low Power oscillator can be calibrated against either the precision oscillator or the external 32.768kHz crystal in user code

<sup>31</sup> These numbers are not production tested, but are supported by LIN Compliance testing.

<sup>32</sup> Specified after Rlimit of 39Ohms

<sup>33</sup> The MCU core is not shutdown but an interrupt is generated, if enabled.

<sup>34</sup> Thermal Impedance can be used to calculate the thermal gradient from ambient to die temperature.

<sup>35</sup> Internal Regulated Supply available at REG\_DVDD ( $I_{SOURCE}=5\text{mA}$ ), and REG\_AVDD ( $I_{SOURCE}=1\text{mA}$ )

<sup>36</sup> Typical, additional supply current consumed during Flash memory program and erase cycles is 7mA and 5mA respectively.

## TIMING SPECIFICATIONS

### SPI Timing Specifications

Table 2 : SPI Master Mode Timing (PHASE Mode = 1)

| Parameter | Description                              | Min | Typ                            | Max | Unit |
|-----------|--|-----|--------------------------------|-----|------|
| $t_{SL}$  | SCLOCK low pulsewidth                    |     | $(SPIDIV + 1) \times t_{HCLK}$ |     | ns   |
| $t_{SH}$  | SCLOCK high pulsewidth                   |     | $(SPIDIV + 1) \times t_{HCLK}$ |     | ns   |
| $t_{DAV}$ | Data output valid after SCLOCK edge      |     |                                |     | ns   |
| $t_{DSU}$ | Data input setup time before SCLOCK edge |     |                                |     | ns   |
| $t_{DHD}$ | Data input hold time after SCLOCK edge   |     |                                |     | ns   |
| $t_{DF}$  | Data output fall time                    |     |                                |     | ns   |
| $t_{DR}$  | Data output rise time                    |     |                                |     | ns   |
| $t_{SR}$  | SCLOCK rise time                         |     |                                |     | ns   |
| $t_{SF}$  | SCLOCK fall time                         |     |                                |     | ns   |

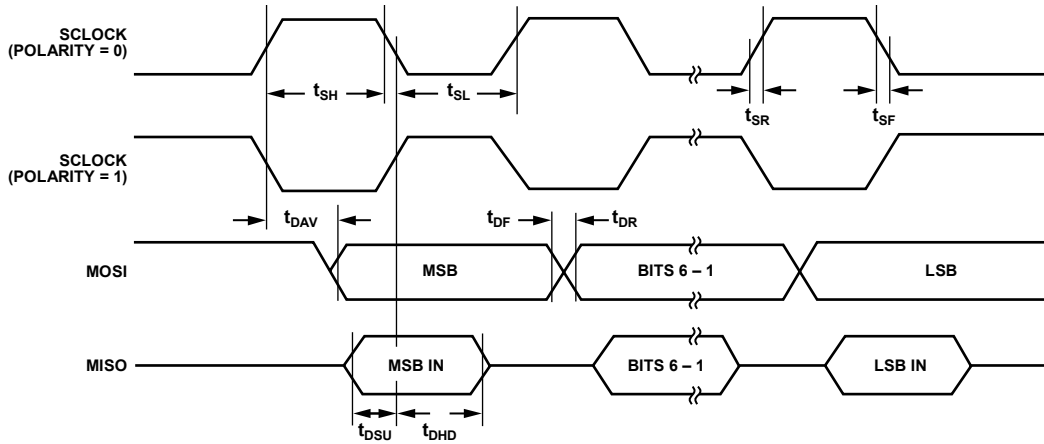


Figure 2. SPI Master Mode Timing (PHASE Mode = 1)

05984-002

Table 3 : SPI Master Mode Timing (PHASE Mode = 0)

| Parameter  | Description                              | Min | Typ                            | Max | Unit |
|------------|--|-----|--------------------------------|-----|------|
| $t_{SL}$   | SCLOCK low pulsewidth                    |     | $(SPIDIV + 1) \times t_{HCLK}$ |     | ns   |
| $t_{SH}$   | SCLOCK high pulsewidth                   |     | $(SPIDIV + 1) \times t_{HCLK}$ |     | ns   |
| $t_{DAV}$  | Data output valid after SCLOCK edge      |     |                                |     | ns   |
| $t_{DOSU}$ | Data output setup before SCLOCK edge     |     |                                |     | ns   |
| $t_{DSU}$  | Data input setup time before SCLOCK edge |     |                                |     | ns   |
| $t_{DHD}$  | Data input hold time after SCLOCK edge   |     |                                |     | ns   |
| $t_{DF}$   | Data output fall time                    |     |                                |     | ns   |
| $t_{DR}$   | Data output rise time                    |     |                                |     | ns   |
| $t_{SR}$   | SCLOCK rise time                         |     |                                |     | ns   |
| $t_{SF}$   | SCLOCK fall time                         |     |                                |     | ns   |

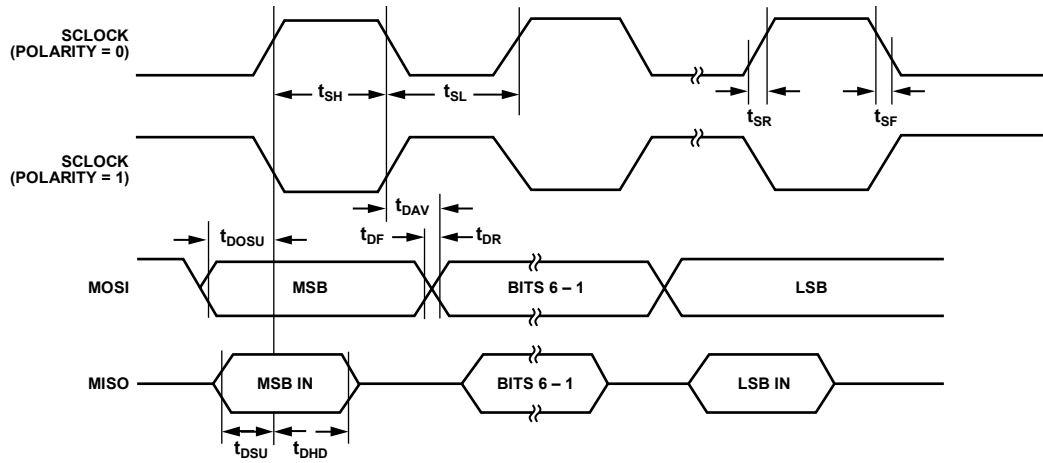


Figure 3. SPI Master Mode Timing (PHASE Mode = 0)

05984-003



Table 4 : SPI Slave Mode Timing (PHASE Mode = 1)

| Parameter | Description                              | Min | Typ                            | Max | Unit |
|-----------|--|-----|--------------------------------|-----|------|
| $t_{CS}$  | CS to SCLOCK edge                        |     |                                |     | ns   |
| $t_{SL}$  | SCLOCK low pulsewidth                    |     | $(SPIDIV + 1) \times t_{HCLK}$ |     | ns   |
| $t_{SH}$  | SCLOCK high pulsewidth                   |     | $(SPIDIV + 1) \times t_{HCLK}$ |     | ns   |
| $t_{DAV}$ | Data output valid after SCLOCK edge      |     |                                |     | ns   |
| $t_{DSU}$ | Data input setup time before SCLOCK edge |     |                                |     | ns   |
| $t_{DHD}$ | Data input hold time after SCLOCK edge   |     |                                |     | ns   |
| $t_{DF}$  | Data output fall time                    |     |                                |     | ns   |
| $t_{DR}$  | Data output rise time                    |     |                                |     | ns   |
| $t_{SR}$  | SCLOCK rise time                         |     |                                |     | ns   |
| $t_{SF}$  | SCLOCK fall time                         |     |                                |     | ns   |
| $t_{SFS}$ | CS high after SCLOCK edge                |     |                                |     | ns   |

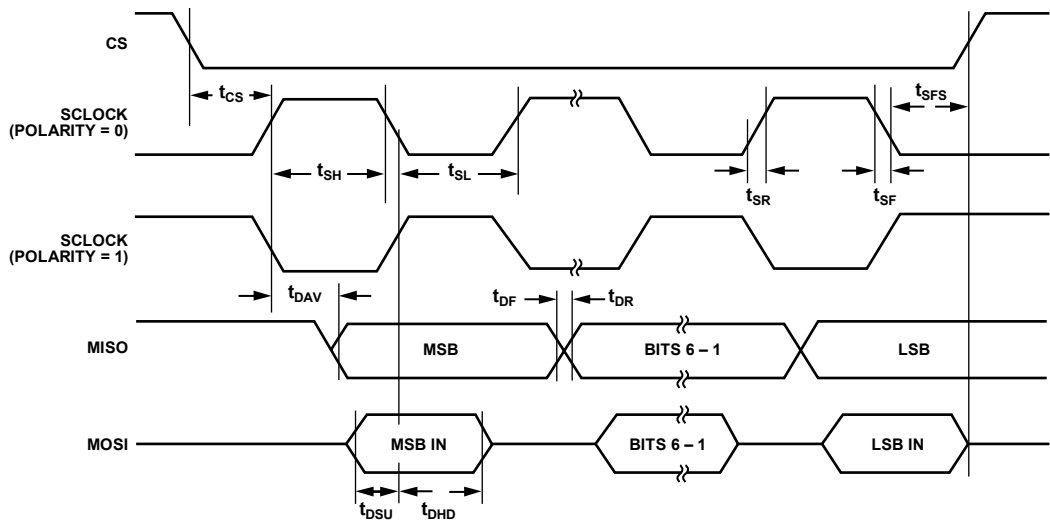


Figure 4. SPI Slave Mode Timing (PHASE Mode = 1)

05994-004

Table 5 : SPI Slave Mode Timing (PHASE Mode = 0)

| Parameter  | Description                              | Min | Typ                            | Max | Unit |
|------------|--|-----|--------------------------------|-----|------|
| $t_{CS}$   | CS to SCLOCK edge                        |     |                                |     | ns   |
| $t_{SL}$   | SCLOCK low pulsewidth                    |     | $(SPIDIV + 1) \times t_{HCLK}$ |     | ns   |
| $t_{SH}$   | SCLOCK high pulsewidth                   |     | $(SPIDIV + 1) \times t_{HCLK}$ |     | ns   |
| $t_{DAV}$  | Data output valid after SCLOCK edge      |     |                                |     | ns   |
| $t_{DSU}$  | Data input setup time before SCLOCK edge |     |                                |     | ns   |
| $t_{DHD}$  | Data input hold time after SCLOCK edge   |     |                                |     | ns   |
| $t_{DF}$   | Data output fall time                    |     |                                |     | ns   |
| $t_{DR}$   | Data output rise time                    |     |                                |     | ns   |
| $t_{SR}$   | SCLOCK rise time                         |     |                                |     | ns   |
| $t_{SF}$   | SCLOCK fall time                         |     |                                |     | ns   |
| $t_{DOCS}$ | Data output valid after CS edge          |     |                                |     | ns   |
| $t_{SFS}$  | CS high after SCLOCK edge                |     |                                |     | ns   |

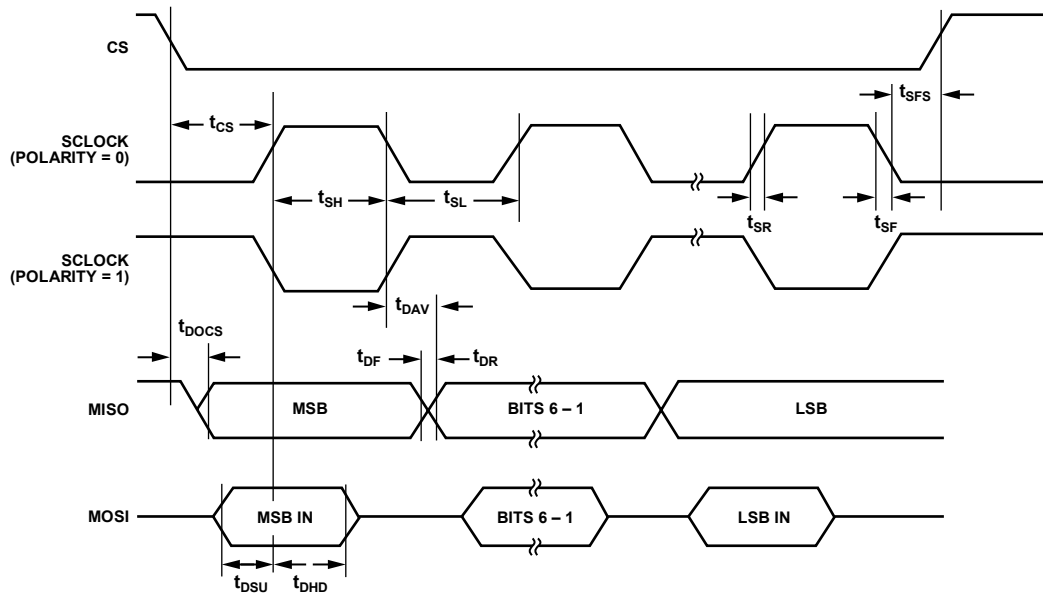


Figure 5 : SPI Slave Mode Timing (PHASE Mode = 0)

05994-005

LIN Timing Specifications

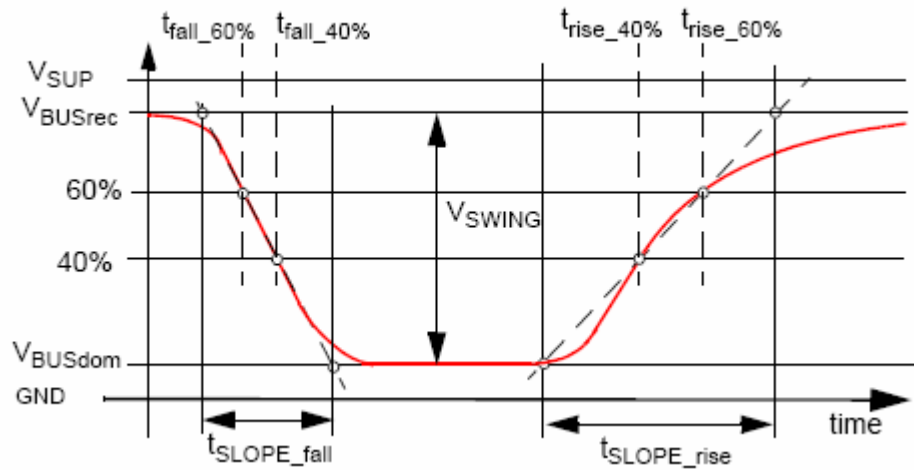
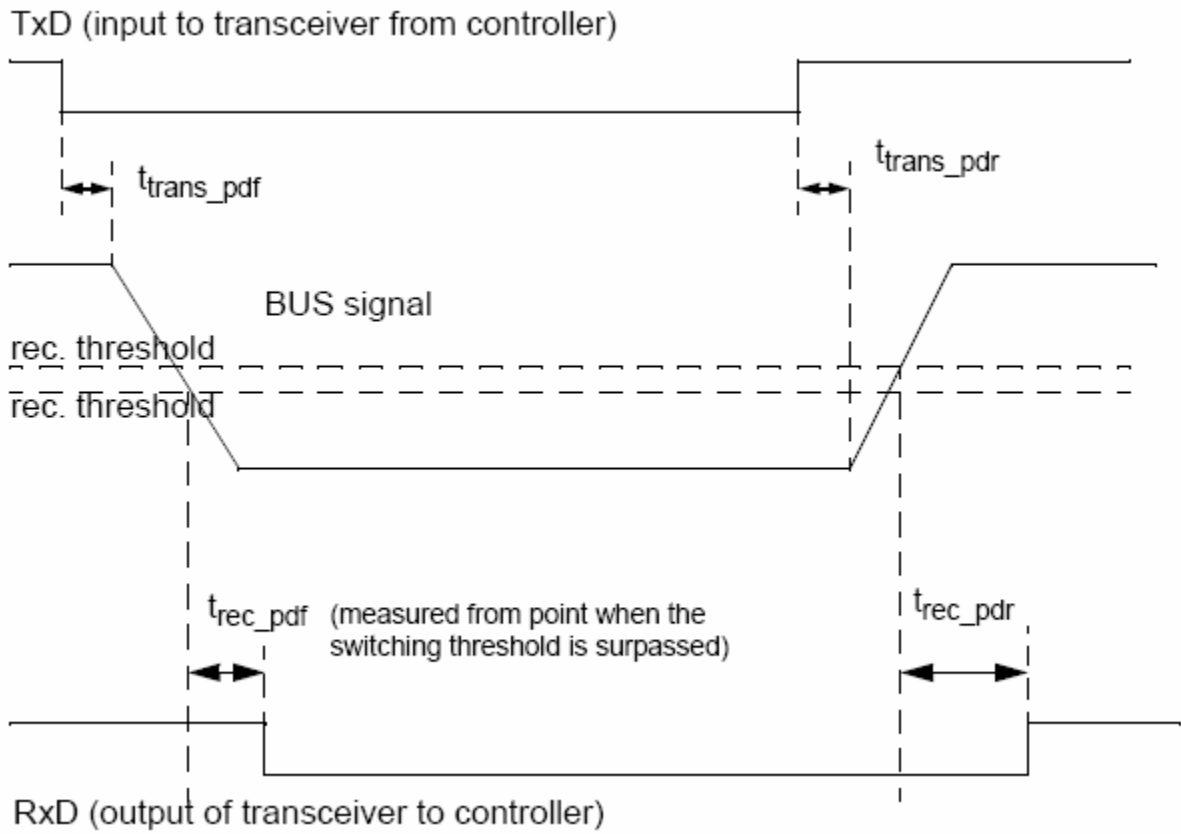


Figure 6 : LIN V1.3 Timing Specification

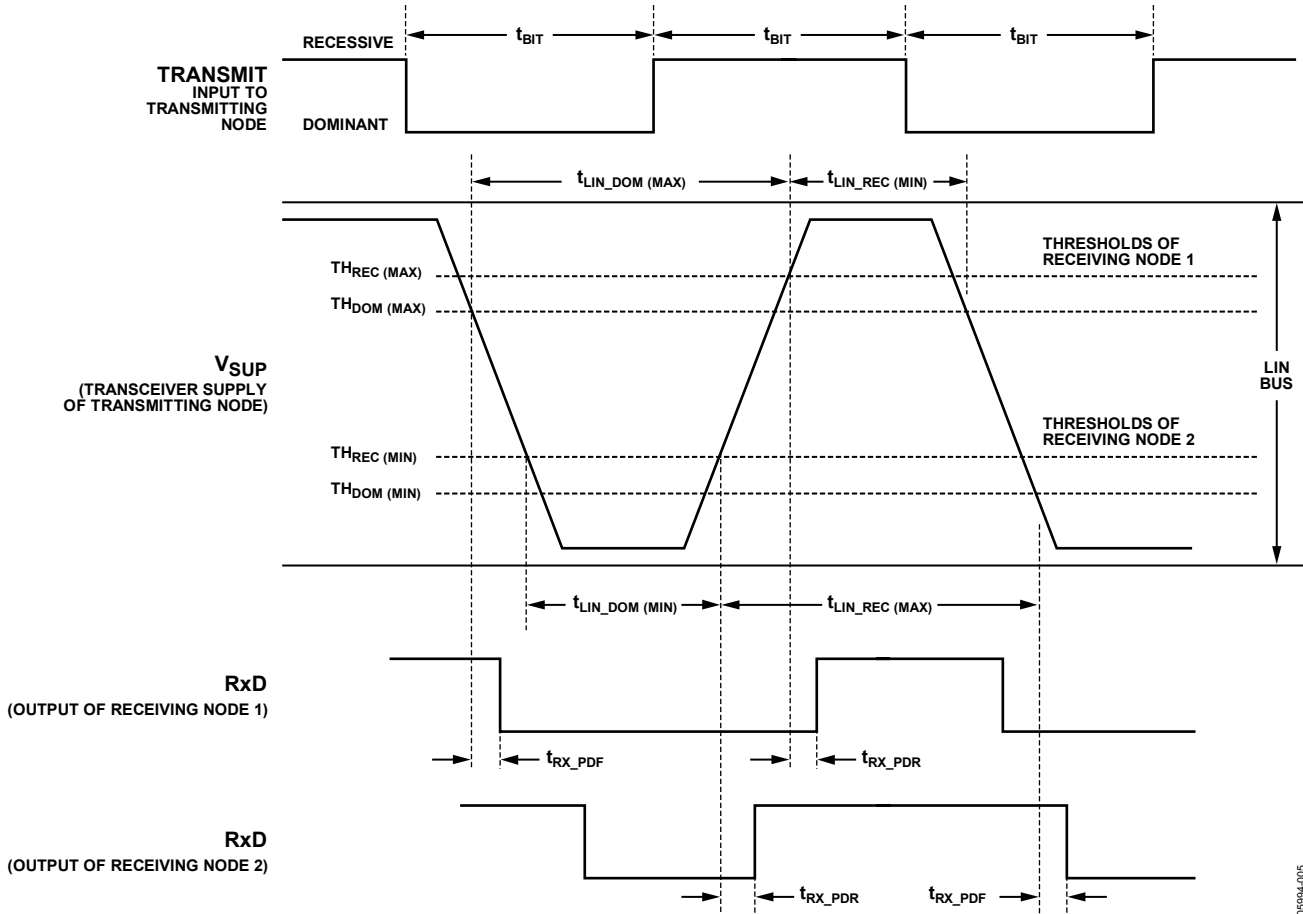


Figure 7 : LIN V2.0 Timing Specification

05994-105

## SPECIFICATION TERMINOLOGY

### CONVERSION RATE:

The conversion rate specifies the rate at which an output result is available from the ADC, once the ADC has settled.

The sigma-delta conversion techniques used on this part mean that while the ADC front-end signal is over-sampled at a relatively high sample rate, a subsequent digital filter is employed to decimate the output to give a valid 16-Bit data conversion result at output rates from 1Hz to 8 KHz.

It should also be noted that when software switches from one input to another (on the same ADC), the digital filter must first be cleared and then allowed to average a new result. Depending on the configuration of the ADC and the type of filter this can take multiple conversion cycles.

### INTEGRAL NON LINEARITY (INL):

This is the maximum deviation of any code from a straight line passing through the endpoints of the transfer function. The endpoints of the transfer function are zero scale, a point 0.5 LSB below the first code transition and full scale, a point 0.5 LSB above the last code transition (111 . . . 110 to 111 . . . 111). The error is expressed as a percentage of full scale.

### NO MISSING CODES:

This is a measure of the Differential Non-Linearity of the ADC. The error is expressed in bits and specifies the number of codes (ADC results) as  $2^N$  Bits, where  $N$  = No Missing Codes, guaranteed to occur through the full ADC input range.

### OFFSET ERROR:

This is the deviation of the first code transition ADC input voltage from the ideal first code transition.

### OFFSET ERROR DRIFT:

Offset Error Drift is the variation in absolute offset error with respect to temperature. This error is expressed as LSBs per °C.

### GAIN ERROR

This is a measure of the span error of the ADC. It is a measure of the difference between the measured and the ideal span between any two points in the transfer function.

### OUTPUT NOISE:

The output noise is specified as the standard deviation (or  $1 \times$  Sigma) of ADC output codes distribution collected when the ADC input voltage is at a dc voltage. It is expressed as  $\mu$  rms. The output or RMS noise can be used to calculate the Effective Resolution of the ADC as defined by the following equation

$$\text{Effective Resolution} = \log_2 (\text{Full-Scale Range} / \text{RMS Noise}) \text{ Bits}$$

The peak-to-peak noise is defined as the deviation of codes that fall within  $6.6 \times$  Sigma of the distribution of ADC output codes collected when the ADC input voltage is at dc. The peak-to-peak noise is therefore calculated as 6.6 times the RMS noise.

The peak-to-peak noise can be used to calculate the ADC (Noise Free, Code) Resolution for which there will be no code flicker within a 6.6-Sigma limit as defined by the following equation

$$\text{Noise Free Code Resolution} = \log_2 (\text{Full-Scale Range} / \text{Peak to Peak Noise}) \text{ Bits}$$

### Acronyms used in this Datasheet:

|      |                             |
|------|-----------------------------|
| ADC  | Analog to Digital Converter |
| ARM  | Advanced RISC Machine       |
| JTAG | Joint Test Action Group     |
| LIN  | Local Interconnect Network  |
| LSB  | Least Significant Byte/Bit  |
| LVF  | Low Voltage Flag            |
| MCU  | MicroController             |
| MMR  | Memory Mapped Register      |
| MSB  | Most Significant Byte/Bit   |
| PID  | Protected Identifier        |
| POR  | Power On Reset              |
| PSM  | Power Supply Monitor        |
| RMS  | Root Mean Square            |

# ABSOLUTE MAXIMUM RATINGS

Table 6. Absolute Maximum Ratings (T<sub>A</sub> = -40°C to 105°C unless otherwise noted)

| Parameter                           | Rating                              |
|-------------------------------------|-------------------------------------|
| AGND to DGND to VSS to IO_VSS       | -0.3V to +0.3V                      |
| VBAT to AGND                        | -22V to 40V                         |
| V <sub>DD</sub> to VSS              | -0.3V to 33V                        |
| V <sub>DD</sub> to VSS for 1 second | -0.3V to 40V                        |
| LIN to IO_VSS                       | -16V to 40V                         |
| WU to IO_VSS                        | -3V to 33V                          |
| Wake Continuous Current             | 50mA                                |
| HV IO Pins Short Circuit Current    | 100mA                               |
| Digital I/O Voltage to DGND         | -0.3V to REG_DV <sub>DD</sub> +0.3  |
| VREF to AGND                        | -0.3V to REG_AV <sub>DD</sub> + 0.3 |
| ADC Inputs to AGND                  | -0.3V to REG_AV <sub>DD</sub> +0.3  |
| ESD (HBM) Rating                    |                                     |
| LIN, WU and VBAT                    | ± 4KV                               |
| All other pins                      | ± 2KV                               |
| Storage Temperature Range           | 125°C                               |
| Junction Temperature (transient)    | 150°C                               |
| Junction Temperature (continuous)   | 130°C                               |
| Lead Temperature, Soldering         |                                     |
| Reflow (15 sec)                     | 260°C                               |

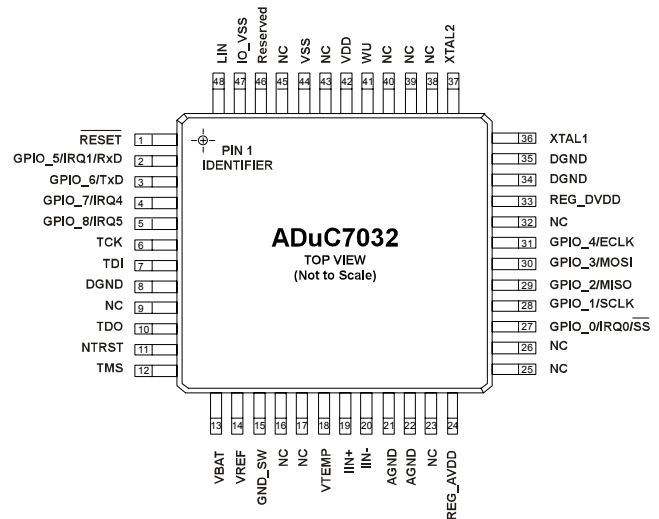


Figure 8 : Package Pin Configuration

Stresses above those listed under Absolute Maximum Ratings may cause permanent damage to the device. This is a stress rating only; functional operation of the device at these or any other conditions above those listed in the operational sections of this specification is not implied. Exposure to absolute maximum rating conditions for extended periods may affect device reliability.

## ORDERING GUIDE

| Model | Temperature Range | Package Description | Package Option |
|-------|-------------------|---------------------|----------------|
|       |                   |                     |                |

### ESD Caution

ESD (electrostatic discharge) sensitive device. Electrostatic charges as high as 4000 V readily accumulate on the human body and test equipment and can discharge without detection. Although this product features proprietary ESD protection circuitry, permanent damage may occur on devices subjected to high-energy electrostatic discharges. Therefore, proper ESD precautions are recommended to avoid performance degradation or loss of functionality.



## PIN FUNCTION DESCRIPTIONS

Table 7: Pin Function Descriptions

| Pin# | Mnemonic                  | Type* | Function  |
|------|---------------------------|-------|---|
| 1    | $\overline{\text{RESET}}$ | I     | Reset Input Pin, Active Low. This pin has an internal, weak pull-up resistor to REG_DVDD. If this pin is not being used it can be left not connected. For added security and robustness, it is recommended that this pin be strapped via a resistor to REG_DVDD.  |
| 2    | GPIO_5/IRQ1/RxD           | I/O   | General Purpose Digital I/O 5 is a Multi-Function Pin. By default and after Power-On-Reset, this pin is configured as an input. The pin has an internal weak pull-up resistor and if not being used it can be left unconnected. This multi-function pin can be configured in one of 3 states, namely:<br>General Purpose Digital I/O 5<br>External Interrupt Request 1, Active High<br>Receive Data for UART Serial Port<br>This Pin may also be used as a clock input to Timer1. |
| 3    | GPIO_6/TxD                | I/O   | General Purpose Digital I/O 6 is a Multi-Function Pin. By default and after Power-On-Reset, this pin is configured as an input. The pin has an internal weak pull-up resistor and if not being used it can be left unconnected. This multi-function pin can be configured in one of 2 states, namely:<br>General Purpose Digital I/O 6<br>Transmit Data for UART Serial Port  |
| 4    | GPIO_7/IRQ4               | I/O   | General Purpose Digital I/O 7 is a multi-function pin. By default and after Power-On-Reset, this pin is configured as an input. The pin has an internal weak pull-up resistor and if not being used it can be left unconnected. This multi-function pin can be configured in one of 2 states, namely:<br>General Purpose Digital I/O 7<br>External Interrupt Request 4, Active High   |
| 5    | GPIO_8/IRQ5               | I/O   | General Purpose Digital I/O 8 is a multi-function pin. By default and after Power-On-Reset, this pin is configured as an input. The pin has an internal weak pull-up resistor and if not being used it can be left unconnected. This multi-function pin can be configured in one of 2 states, namely:<br>General Purpose Digital I/O 8<br>External Interrupt Request 5, Active High<br>This Pin may also be used as a clock input to Timer1.                                      |
| 6    | TCK                       | I     | JTAG Test Clock. This clock input pin is one of the standard 5 pin JTAG debug port on the part. TCK is an input pin only and has an internal weak pull-up resistor. If not being used this pin can be left unconnected  |
| 7    | TDI                       | I     | JTAG Test Data Input. This data input pin is one of the standard 5 pin JTAG debug port on the part. TDI is an input pin only and has an internal weak pull-up resistor. If not being used this pin can be left unconnected  |
| 8    | DGND                      | S     | Ground Reference for On-Chip Digital Circuits   |
| 9    | NC                        |       | No Connect, this pin is not connected internally but is reserved for possible future use, this pin should therefore not be connected externally   |
| 10   | TDO                       | O     | JTAG Test Data Output. This data output pin is one of the standard 5 pin JTAG debug port on the part. TDO is an output pin only. On power-on this output is disabled and pulled high via an internal weak pull-up resistor. If not being used this pin can be left unconnected  |
| 11   | NTRST                     | I     | JTAG Test Reset. This Reset input pin is one of the standard 5 pin JTAG debug port on the part. NTRST is an input pin only and has an internal weak pull-down resistor. If not being used this pin can be left unconnected. NTRST is also monitored by the on-chip kernel to enable LIN boot-load mode.   |
| 12   | TMS                       | I     | JTAG Test Mode Select. This Mode Select input pin is one of the standard 5 pin JTAG debug port on the part. TMS is an input pin only and has an internal weak pull-up resistor. If not being used this pin can be left unconnected  |

| Pin# | Mnemonic                     | Type* | Function   |
|------|------------------------------|-------|--|
| 13   | VBAT                         | I     | Battery Voltage Input to resistor divider  |
| 14   | VREF                         | I     | External Reference Input Terminal. If this input is not being used it should be connected directly to the AGND system ground   |
| 15   | GND_SW                       | S     | Switch to internal analog ground reference.<br>Negative input for external temperature channel and external reference<br>If this input is not being used it should be connected directly to the AGND system ground.  |
| 16   | NC                           |       | No Connect, this pin is not connected internally but is reserved for possible future use, this pin should therefore not be connected externally  |
| 17   | NC                           |       | No Connect, this pin is not connected internally but is reserved for possible future use, this pin should therefore not be connected externally  |
| 18   | VTEMP                        | I     | External Pin for NTC/PTC temperature measurement   |
| 19   | IIN+                         | I     | Positive Differential Input for Current Channel  |
| 20   | IIN-                         | I     | Negative Differential Input for Current Channel  |
| 21   | AGND                         | S     | Ground Reference for On-Chip Precision Analog Circuits   |
| 22   | AGND                         | S     | Ground Reference for On-Chip Precision Analog Circuits   |
| 23   | NC                           |       | No Connect, this pin is not connected internally but is reserved for possible future use, this pin should therefore not be connected externally  |
| 24   | REG_AVDD                     | S     | Nominal 2.6V output from on chip regulator   |
| 25   | NC                           |       | No Connect, this pin is not connected internally but is reserved for possible future use, this pin should therefore not be connected externally  |
| 26   | NC                           |       | No Connect, this pin is not connected internally but is reserved for possible future use, this pin should therefore not be connected externally  |
| 27   | GPIO_0/IRQ0/ $\overline{SS}$ | I/O   | General Purpose Digital I/O 0 is a Multi-Function Pin. By default and after Power-On-Reset, this pin is configured as an input. The pin has an internal weak pull-up resistor and if not being used it can be left unconnected. This multi-function pin can be configured in one of 3 states, namely:<br>General Purpose Digital I/O 0<br>External Interrupt Request 0, Active High<br>SPI Interface, Slave Select Input |
| 28   | GPIO_1/SCLK                  | I/O   | General Purpose Digital I/O 1 is a Multi-Function Pin. By default and after Power-On-Reset, this pin is configured as an input. The pin has an internal weak pull-up resistor and if not being used it can be left unconnected. This multi-function pin can be configured in one of 2 states, namely:<br>General Purpose Digital I/O 1<br>SPI Interface, Serial Clock Input  |
| 29   | GPIO_2/MISO                  | I/O   | General Purpose Digital I/O 2 is a Multi-Function Pin. By default and after Power-On-Reset, this pin is configured as an input. The pin has an internal weak pull-up resistor and if not being used it can be left unconnected. This multi-function pin can be configured in one of 2 states, namely:<br>General Purpose Digital I/O 2<br>SPI Interface, Master Input/Slave Output Pin                                   |
| 30   | GPIO_3/MOSI                  | I/O   | General Purpose Digital I/O 3 is a Multi-Function Pin. By default and after Power-On-Reset, this pin is configured as an input. The pin has an internal weak pull-up resistor and if not being used it can be left unconnected. This multi-function pin can be configured in one of 2 states, namely:<br>General Purpose Digital I/O 3<br>SPI Interface, Master Output/Slave Input Pin                                   |
| 31   | GPIO_4/ECLK                  | I/O   | General Purpose Digital I/O 4 is a programmable digital I/O pin. By default and after Power-On-Reset, this pin is configured as an input. The pin has an internal weak pull-up resistor and if not being used this pin can be left unconnected.<br>GPIO4 is can also be configured to output a 2.56MHz clock   |
| 32   | NC                           |       | No Connect, this pin is not connected internally but is reserved for possible future use, this pin should therefore not be connected externally  |



| Pin# | Mnemonic | Type* | Function  |
|------|----------|-------|---|
| 33   | REG_DVDD | S     | Nominal 2.6V output from the on-chip regulator  |
| 34   | DGND     | S     | Ground Reference for On-Chip Digital Circuits   |
| 35   | DGND     | S     | Ground Reference for On-Chip Digital Circuits   |
| 36   | XTAL1    | O     | Crystal Oscillator Output. If an external Crystal is not being used, this pin can be left unconnected.  |
| 37   | XTAL2    | I     | Crystal Oscillator Input. If an external Crystal is not being used, this pin should be connected to the DGND system ground.                     |
| 38   | NC       |       | No Connect, this pin is not connected internally but is reserved for possible future use, this pin should therefore not be connected externally |
| 39   | NC       |       | No Connect, this pin is not connected internally but is reserved for possible future use, this pin should therefore not be connected externally |
| 40   | NC       |       | No Connect, this pin is not connected internally but is reserved for possible future use, this pin should therefore not be connected externally |
| 41   | WU       | O     | High Voltage Wake-Up Transmit pin. If this pin is not being used, it should not be connected externally.  |
| 42   | VDD      | S     | Battery Power Supply to on-chip regulator   |
| 43   | NC       |       | No Connect, this pin is not connected internally but is reserved for possible future use, this pin should therefore not be connected externally |
| 44   | VSS      | S     | Ground Reference for the internal Voltage Regulators  |
| 45   | NC       |       | No Connect, this pin is not connected internally but is reserved for possible future use, this pin should therefore not be connected externally |
| 46   | Reserved |       | This pin is reserved for HV-IO Output only functionality. This pin should be connected externally to the IO_VSS ground reference                |
| 47   | IO_VSS   | S     | Ground Reference for High Voltage I/O Pins  |
| 48   | LIN      | I/O   | LIN Serial Interface Input/Output Pin   |

\* I = Input, O = Output, S = Supply

No Connect ( NC ) pins may be grounded if required.

## ADuC7032 GENERAL DESCRIPTION

The ADuC7032 is a complete, system solution for battery monitoring in 12V automotive applications. The device integrates all of the required features to precisely and intelligently monitor, process and diagnose 12V battery parameters including battery current, voltage and temperature over a wide range of operating conditions.

Minimizing external system components, the device is powered directly from the 12V battery. An on-chip LDO, Low Drop-Out, regulator generates the supply voltage for the three integrated 16-Bit  $\Sigma$ - $\Delta$  ADCs. The ADCs precisely measure battery current, voltage and temperature, which may be used to characterize the car battery's state of health and charge.

A Flash/EE memory based ARM7 microcontroller (MCU) is also integrated on-chip and is used both to pre-process the acquired battery variables, and to manage communications from the ADuC7032 to the main Electronic Control Unit (ECU) via a Local Interconnect Network (LIN) interface, which is integrated on-chip.

Both the MCU and the ADC sub-system can be individually configured to operate in normal or flexible power-saving modes of operation.

In its normal operating mode the MCU is clocked indirectly from an on-chip oscillator via the Phase Locked Loop (PLL) at a maximum clock rate of 20.48MHz.

In its power-saving operating modes, the MCU can be totally powered down, waking up only in response to an ADC conversion result ready, digital comparators, the wake-up timer, a POR or an external serial communication event.

The ADC can be configured to operate in a normal (full power) mode of operation, interrupting the MCU after various sample conversion events. The Current Channel features two low power modes, Low Power and Low Power-Plus, generating conversion results to a lower performance specification.

On-chip factory firmware supports in-circuit Flash/EE reprogramming via the LIN or JTAG serial interface ports while non-intrusive emulation is also supported via the JTAG interface. These features are incorporated into a low-cost QuickStart Development System supporting the ADuC7032.

The ADuC7032 operates directly from the 12V battery supply and is fully specified over a temperature range of -40°C to 105°C. The ADuC7032 is functional, with degraded performance, at temperatures from 105°C to 125°C.

## OVERVIEW OF THE ARM7TDMI CORE

The ARM7 core is a 32-bit Reduced Instruction Set Computer (RISC), developed by ARM Ltd. The ARM7TDMI is a Von Neumann based architecture, which means that it uses a single 32-bit bus for instruction and data. The length of the data can be 8, 16 or 32 bits and the length of the instruction word is either 16 bits or 32 bits, depending on which mode the core is operating in.

The ARM7TDMI is an ARM7 core with 4 additional features:

- T support for the Thumb (16 bit) instruction set.
- D support for debug
- M enhanced multiplier
- I includes the EmbeddedICE module to support embedded system debugging.

### Thumb mode (T)

An ARM instruction is 32-bits long. The ARM7TDMI processor supports a second instruction set that has been compressed into 16-bits, the Thumb instruction set. Faster code execution from 16-bit memory and greater code density can be achieved by using the Thumb instruction set, which makes the ARM7TDMI core particularly suited for embedded applications.

However the Thumb mode has three limitations:

- Relative to ARM, Thumb code usually requires more instructions to perform that same task. Therefore, ARM code is best for maximizing the performance of time-critical code. In most applications.
- The Thumb instruction set does not include some instructions which are needed for exception handling, so ARM code may be required for exception handling.
- When an interrupt occurs, the core vectors to the interrupt location in memory and executes the code present at this address. The first command is required to be in ARM code.

### Multiplier (M)

The ARM7TDMI instruction set includes an enhanced multiplier, with four extra instructions which perform 32-bit by 32-bit multiplication with 64-bit result and 32-bit by 32-bit multiplication-accumulation (MAC) with 64-bit result.

### EmbeddedICE (I)

The EmbeddedICE module provides integrated on-chip debug support for the ARM7TDMI. The EmbeddedICE module contains the breakpoint and watchpoint registers which allow non intrusive user code debugging. These registers are controlled through the JTAG test port.

When a breakpoint or watchpoint is encountered, the processor halts and enters debug state. Once in a debug state, the processor registers may be interrogated, as well as the Flash/EE, the SRAM and the Memory Mapped Registers.

### ARM7 Exceptions

The ARM7 supports five types of exceptions, with a privileged processing mode associated with each type. The five types of exceptions are:

- Normal interrupt or IRQ. It is provided to service general-purpose interrupt handling of internal and external events
- Fast interrupt or FIQ. It is provided to service data transfer or communication channel with low latency. FIQ has priority over IRQ
- Memory abort (Prefetch and Data)
- Attempted execution of an undefined instruction
- Software interrupt (SWI) instruction which can be used to make a call to an operating system.

Typically the programmer will define interrupts as IRQ but for higher priority interrupts, the programmer can define interrupts as of type FIQ.

The priority of the above exceptions and vector address are as follows:

- |   |              |
|---|--------------|
| 1. Hardware Reset                               | 0x00         |
| 2. Memory Abort ( Data )                        | 0x10         |
| 3. FIQ  | 0x1C         |
| 4. IRQ  | 0x18         |
| 5. Memory Abort ( Prefetch )                    | 0x0C         |
| 6. Software Interrupt and Undefined Instruction | 0x08<br>0x04 |

**Note:** A Software interrupt and an Undefined Instruction exception have the same priority and are mutually exclusive.

**NOTE:** The above list are located from 0x00 -0x1C, with a reserved location at 0x14. This location is required to be written with either 0x27011970 or the checksum of Page Zero, excluding location 0x14. If this is not done, user code will not be executed and LIN download mode will be entered. For more information please refer to the ADuC7032 LIN download Technote.

### ARM Registers

The ARM7TDMI has 16 standard registers. R0-R12 are used for data manipulation, R13 is the stack pointer, R14 is the link register and R15 is the program counter which indicates the instruction currently being executed. The link register contains the address from which the user has branched, if the branch and link command was used, or the command during which an exception occurred.

The stack pointer contains the current location of the stack. As a general rule of thumb on an ARM7TDMI, the stack starts at the top of the available RAM area, and descends, using the area as required. A separate stack is defined for each of the exceptions. The size of each stack is user configurable and is dependent on the target application. On the ADuC7032 the stack begins at 0x000417FC and descends.

Whilst programming using high level languages, such as C, it may be possible to ensure that the stack does not overflow. This is dependent on the compiler used.

When an exception occurs, some of the standard register are replaced with registers specific to the exception mode. All exception modes have replacement banked registers for the stack pointer (R13) and the link register (R14) as represented in Figure 9. The FIQ mode has more registers (R8 to R12) supporting faster interrupt processing. With the increased number of non-critical registers, the interrupt may be processed without the need to save or restore these registers, which reduces the response time of the interrupt handling process.

More information relative to the programmer’s model and the ARM7TDMI core architecture can be found in the following documents available from ARM Ltd.:

- DDI0029G, ARM7TDMI Technical Reference Manual.
- DDI0100E, ARM Architecture Reference Manual.

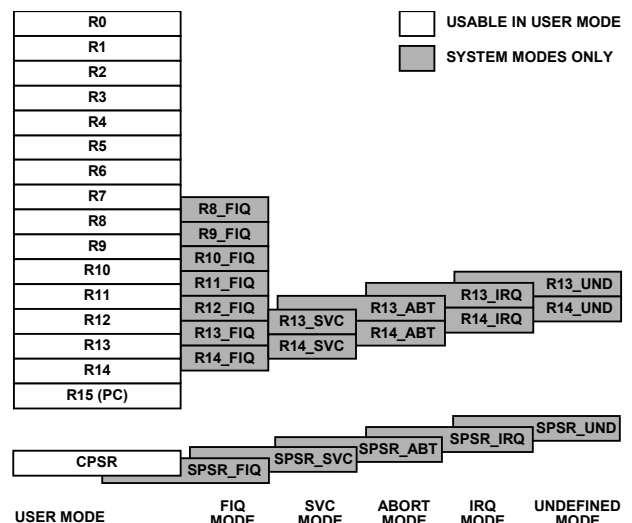


Figure 9: ADuC7032 Register Organization

### Interrupt latency

The worst case latency for an FIQ consists of the longest time the request can take to pass through the synchronizer, plus the time for the longest instruction to complete (the longest instruction is an LDM) which loads all the registers including the PC, plus the time for the data abort entry, plus the time for FIQ entry. At the end of this time, the ARM7TDMI will be executing the instruction at 0x1C (FIQ interrupt vector address). The maximum total time is 50 processor cycles, which is just over 2.44µS in a system using a continuous 20.48MHz processor clock. The maximum IRQ latency calculation is similar, but must allow for the fact that FIQ has higher priority and could delay entry into the IRQ handling routine for an arbitrary length of time. This time may be reduced to 42 cycles if the LDM command is not used, some compilers have an option to compile without using this command. Another option is to run the part in THUMB mode where this is reduced to 22 cycles.

The minimum latency for FIQ or IRQ interrupts is five cycles. This consists of the shortest time the request can take through the synchronizer plus the time to enter the exception mode.

Note that the ARM7TDMI will initially (1<sup>st</sup> instruction) run in ARM (32-bit) mode when an exception occurs. The user may immediately switch from ARM mode to Thumb mode if required, e.g. when executing interrupt service routines.

### MEMORY ORGANISATION

The ARM7, a Von Neumann architecture, MCU core sees memory as a linear array of 2<sup>32</sup> byte locations. As shown in Figure 11, the ADuC7032 maps this into 4 distinct user areas namely, a re-mappable memory area, an SRAM area, a Flash/EE area and a Memory Mapped Register (MMR) area.

The first 96kBytes of this memory space is used as an area into which the on-chip Flash/EE or SRAM can be remapped. A second 4kByte area at the top of the memory map is used to locate the Memory Mapped Registers (MMR), through which all on-chip peripherals are configured and monitored. The remaining 2 areas of memory are constituted as 6kByte of SRAM and 96kByte of On-Chip Flash/EE memory. 94kByte of On-Chip Flash/EE memory are available to the user, and the remaining 2kBytes are reserved for the on-chip Kernel. These areas are described in more detail below.

Any access, either reading or writing, to an area not defined in the memory map will result in a Data Abort exception.

### Memory Format

The ADuC7032 memory organization is configured in little endian format: the least significant byte is located in the lowest byte address and the most significant byte in the highest byte address.

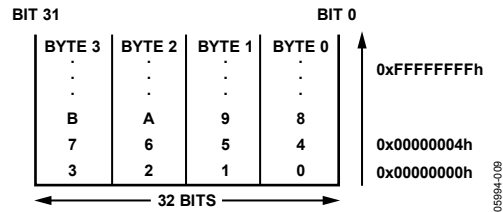


Figure 10: Little Endian Format

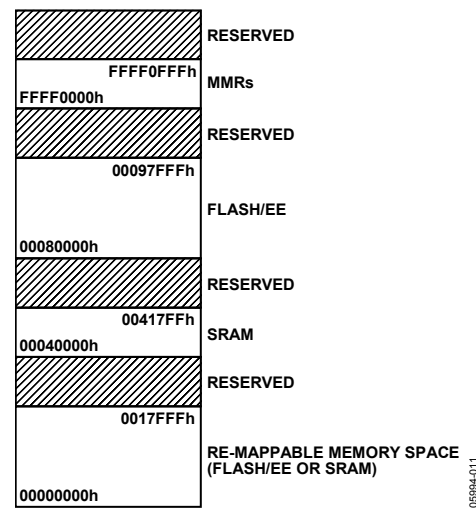


Figure 11: ADuC7032 Memory Map

### SRAM

6kBytes of SRAM are available to the user, organized as 1536 X 32 bits, i.e. 1536Words, which is located at 0x40000. The RAM space can be used as data memory and also as a volatile program space.

ARM code can run directly from SRAM at full clock speed given that the SRAM array is configured as a 32-bit wide memory array.

SRAM is read/writeable in 8/16/32 bit segments.

**Remap**

The ARM exception vectors are all situated at the bottom of the memory array, from address 0x00000000 to address 0x00000020.

By default, after a reset, the Flash/EE memory is logically mapped to address 0x00000000.

It is possible to logically REMAP the SRAM to address 0x00000000. This is done by a setting bit zero of the SYMAP0 MMR, which is located at 0xFFFF0220. To revert Flash/EE to 0x00000000, bit zero of SYMAP0 is cleared.

It may be desirable to remap RAM to 0x00000000 to optimize the interrupt latency of the ADuC7032, as code may be run in full 32bit ARM mode and at the maximum core speed. It should be noted that when an exception occurs, the core will default to ARM mode.

**Remap operation**

When a reset occurs on the ADuC7032, execution starts automatically in the factory programmed internal configuration

code. This so called kernel is hidden and cannot be accessed by user code. If the ADuC7032 is in normal mode, it will execute the power-on configuration routine of the kernel and then jump to the reset vector address, 0x00000000, to execute the users reset exception routine.

Because the Flash/EE is mirrored at the bottom of the memory array at reset, the reset routine must always be written in Flash/EE.

Precaution must be taken to execute the REMAP command from the absolute Flash/EE address, and not from the mirrored, remapped segment of memory, as this will be replaced by the SRAM. If a remap operation is executed whilst operating code from the mirrored location, Prefetch/Data aborts may occur or the user may observe abnormal program operation.

This operation is reversible: the Flash/EE memory may be remapped at address 0x00000000 by clearing bit zero of the SYMAP0 MMR. Precaution must again be taken to execute the remap function from outside the mirrored area.

Any kind of reset will logically remap the Flash/EE memory to the bottom of the memory array.

**SYMAP0 Register :**

**Name :** SYMAP0  
**Address :** 0xFFFF0220  
**Default Value :** 0x00  
**Access :** Read/Write Access

**Function :** This 8-bit register allows user code to remap either RAM or Flash/EE memory space into the bottom of the ARM memory space starting at location 0x00000000.

Table 8: SYMAP0 MMR Bit Designations

| Bit | Description   |
|-----|---|
| 7-1 | Reserved<br>These bits are reserved and should be written as 0 by user code   |
| 0   | Remap Bit.<br>Set by the user to remap the SRAM to 0x00000000.<br>Cleared automatically after reset to remap the Flash/EE memory to 0x00000000. |

## ADUC7032 RESET

There are four kinds of reset: external reset, Power-on-reset, watchdog reset and software reset. The RSTSTA register indicates the source of the last reset and can also be written by user code to initiate a software reset event. The bits in this register can be cleared to '0' by writing to the RSTCLR MMR at

0xFFFF0234. The bit designations in RSTCLR mirror those of RSTSTA. These registers can be used during a reset exception service routine to identify the source of the reset. The implications of all four kinds of reset event are tabulated in Table 9 below.

Table 9: Device RESET Implications

| RESET \ IMPACT     | Reset External Pins to Default State | Kernel Executed | Reset All External MMRs (excluding RSTSTA) | Reset All HV Indirect Registers | Peripherals Reset | RAM Valid | RSTSTA (Status after Reset Event) |
|--------------------|--------------------------------------|-----------------|--|---------------------------------|-------------------|-----------|-----------------------------------|
| POR                | ✓                                    | ✓               | ✓  | ✓                               | ✓                 | Note 1    | RSTSTA[0] = 1                     |
| Watchdog Reset     | ✓                                    | ✓               | ✓  | ✓                               | ✓                 | ✓         | RSTSTA[1] = 1                     |
| Software Reset     | ✓                                    | ✓               | ✓  | ✓                               | ✓                 | ✓         | RSTSTA[2] = 1                     |
| External Reset Pin | ✓                                    | ✓               | ✓  | ✓                               | ✓                 | ✓         | RSTSTA[3] = 1                     |

**Note1:** If LVF is enabled(HVCFG0[2]), RAM has not been corrupt by the POR reset mechanism if LVF Status bit HVSTA[6] is '1'.

### RSTCLR Register :

**Name :** RSTCLR  
**Address :** 0xFFFF0234  
**Default Value :** 0x00  
**Access :** Write Only

**Function :** This 8-bit write only register clears the corresponding bit in RSTSTA.

### RSTSTA Register :

**Name :** RSTSTA  
**Address :** 0xFFFF0230  
**Default Value :** 0x01  
**Access :** Read/Write Access

**Function :** This 8-bit register indicates the source of the last reset event and can also be written by user code to initiate a software reset.

Table 10: RSTSTA/RSTCLR MMR Bit Designations

| Bit | Description   |
|-----|---|
| 7-4 | Not Used<br>These bits are not used and will always read as '0'   |
| 3   | External Reset<br>Set to 1 automatically when an external reset occurs<br>Cleared by setting the corresponding bit in RSTCLR    |
| 2   | Software Reset<br>Set to '1' by user code to generate a software reset.<br>Cleared by setting the corresponding bit in RSTCLR   |
| 1   | Watchdog timeout<br>Set to 1 automatically when a watchdog timeout occurs<br>Cleared by setting the corresponding bit in RSTCLR |
| 0   | Power-on-reset<br>Set automatically when a power-on-reset occurs<br>Cleared by setting the corresponding bit in RSTCLR          |

## FLASH/EE MEMORY AND THE ADUC7032

The ADuC7032 incorporates Flash/EE memory technology on-chip to provide the user with non-volatile, in-circuit reprogrammable memory space.

Like EEPROM, Flash memory can be programmed in-system at a byte level, although it must first be erased, the erase being performed in page blocks. Thus, Flash memory is often and more correctly referred to as Flash/EE memory.

Overall, Flash/EE memory represents a step closer to the ideal memory device that includes non-volatility, in-circuit programmability, high density, and low cost. Incorporated in the ADuC7032 Flash/EE memory technology allows the user to update program code space in-circuit, without the need to replace one time programmable (OTP) devices at remote operating nodes.

### Flash/EE Memory

The total 96kBytes of Flash/EE memory are organized as 48k X 16 bits. 94kBytes are user space and 2kBytes are reserved for boot loader/kernel space. The page size of this Flash/EE memory is 512Bytes. Typically, it takes the Flash/EE memory controller 20msec to erase a page, and 50µsec to write a 16-Bit word. These Flash/EE memory timings are independent of MCU core clock.

94kBytes of Flash/EE memory are available to the user as code and non-volatile data memory. There is no distinction between data and program, as ARM code shares the same space. The real width of the Flash/EE memory is 16 bits, which means that in ARM mode (32-bit instruction), two accesses to the Flash/EE memory are necessary for each instruction fetch. When operating at speeds less than 20.48MHz the Flash/EE memory controller can transparently fetch the second 16-bit half word (part of the 32-bit ARM op-code) within a single core clock period. It is therefore recommend that for speeds less than 20.48MHz, i.e.  $CD > 0$ , that ARM mode is used. For 20.48MHz operation, i.e.  $CD = 0$ , it is recommended to operate in THUMB mode.

The Flash/EE memory is physically located at 0x80000. Upon a hard reset it is logically mapped to 0x00000000. The factory default contents of all Flash/EE memory locations is 0xFF. Flash/EE memory may be read in 8/16/32 bit segments, and written in segments of 16 bits. The Flash/EE memory is rated for 10K endurance cycles. This rating is based on the number of times that each individual half word ( 16 bit location ) is cycled i.e. erased and programmed. A redundancy scheme may be implemented in software to ensure greater than 10K cycles endurance.

The user may also write data variables to the Flash/EE memory during run-time code execution, e.g. for storing diagnostic

battery parameter data.

It is possible to write to a single 16 bit location only twice between erases, i.e. It is possible to walk bytes, not bits. If a location is written to more than twice, then it is possible that the contents of the Flash/EE page may be corrupted.

The 94kBytes of Flash/EE memory can be programmed in-circuit, using a serial download mode via the LIN interface or the integrated JTAG port.

### (1) Serial Downloading (In-Circuit Programming)

The ADuC7032 facilitates code download via the LIN pin.

### (2) JTAG access

The ADuC7032 features an on-chip JTAG Debug Port to facilitate code download and debug.

## FLASH/EE MEMORY CONTROL INTERFACE

The access to and control of the Flash/EE memory on the ADuC7032 is managed by an on-chip memory controller. The controller manages the Flash/EE memory as two separate blocks (0 and 1).

Block 0 consists of the 32KB Flash/EE memory mapped from 0x0009 0000 to 0x0009 7FFF (including the 2KB kernel space which is reserved at the top of this block).

Block 1 consists of the 64KB Flash/EE memory mapped from from 0x0008 0000 to 0x0008 FFFF.

It should be noted that MCU core can continue to execute code from one memory block while an active erase or program cycle is being carried out on the other block. If a command operates on the same block as the code currently executing, the core is halted until the command is completed, this also applies to code execution.

User Code, LIN and JTAG programming use the Flash/EE memory Control Interface, which consists of the following MMRs :

- **FEExSTA (x= 0 or 1):** read only register, reflects the status of the Flash Control Interface
- **FEExMOD (x= 0 or 1):** sets the operating mode of the Flash Control Interface
- **FEExCON (x= 0 or 1):** 8-bit command register. The commands are interpreted as described in Table 11.
- **FEExDAT (x= 0 or 1):** 16-bit data register.
- **FEExADR (x= 0 or 1):** 16-bit address register.
- **FEExSIGN (x= 0 or 1):** Holds the 24-bit code signature as a result of the signature command being initiated.
- **FEExHIDE (x= 0 or 1):** Protection MMR. Controls read and write protection of the Flash memory code space. If previously configured via the FEExPRO register, FEExHIDE may require a software key to enable access.

- **FEEExPRO (x= 0 or 1):** A buffer of the FEEHIDE register, which is used to store the FEEHIDE value, so it is automatically downloaded to the FEEHIDE registers on subsequent reset and power-on events.

completed, the Flash/EE page or byte may be corrupted.

The following sections describe in detail the bit designations of each of Flash/EE control MMRs

**NOTE:** User Software must ensure that the Flash/EE memory controller has completed any Erase or Write cycle **before** the PLL is powered down. If the PLL is powered down before an Erase or Write cycle is

## FEE0CON and FEE1CON Registers :

**Name :** FEE0CON and FEE1CON  
**Address :** 0xFFFFF0E08 and 0xFFFFF0E88  
**Default Value (both registers) :** 0x07  
**Access :** Read/Write Access

**Function :** These 8-bit registers are written by user code to control the operating modes of the Flash/EE memory controllers for Block0 (32KB) and Block1 (64KB).

Table 11: Command Codes in FEE0CON and FEE1CON

| Code  | Command       | Description (note x is 0 or 1 to designate Flash/EE Block 0 or 1)  |
|-------|---------------|--|
| 0x00* | Reserved      | <i>Reserved, this command should not be written by user code</i>   |
| 0x01* | Single Read   | Load FEExDAT with the 16-bit data indexed by FEExADR   |
| 0x02* | Single Write  | Write FEExDAT at the address pointed by FEExADR. This operation takes 50µs.  |
| 0x03* | Erase-Write   | Erase the page indexed by FEExADR and write FEExDAT at the location pointed by FEExADR. This operation takes 20ms  |
| 0x04* | Single Verify | Compare the contents of the location pointed by FEExADR to the data in FEExDAT. The result of the comparison is returned in FEExSTA bit 1  |
| 0x05* | Single Erase  | Erase the page indexed by FEExADR  |
| 0x06* | Mass erase    | Erase Block0(30kByte) or Block1(64kByte) of user space. The 2kByte Kernel is protected. This operation takes 1.2s To prevent accidental execution, a command sequence is required to execute this instruction, this is described below.  |
| 0x07  |               | Default command.   |
| 0x08  | Reserved      | <i>Reserved, this command should not be written by user code</i>   |
| 0x09  | Reserved      | <i>Reserved, this command should not be written by user code</i>   |
| 0x0A  | Reserved      | <i>Reserved, this command should not be written by user code</i>   |
| 0x0B  | Signature     | FEE0CON:<br>This command will result in a 24-bit LFSR based signature been generated and loaded into FEE0SIG. If FEE0ADR is less than 0x97800, this command will result in a 24 bit LFSR based signature of the user code space from the page specified in FEE0ADR upwards, including the Kernel, security bits and Flash/EE key. If FEE0ADR is greater than 0x97800, the Kernel and manufacturing data is signed<br><br>FEE1CON:<br>This command will result in a 24-bit LFSR based signature been generated, beginning at FEE1ADR and ending at the end of the 63.5k Block, and loaded into FEE1SIG. The last page of this block is not included in the Sign generation. |
| 0x0C  | Protect       | This command can be run only once. The value of FEExPRO is saved and can be removed only with a mass erase (0x06) or with the key  |
| 0x0D  | Reserved      | <i>Reserved, this command should not be written by user code</i>   |
| 0x0E  | Reserved      | <i>Reserved, this command should not be written by user code</i>   |
| 0x0F  | Ping          | No operation, interrupt generated  |

\* The FEExCON will always read 0x07 immediately after execution of any of these commands.



**Command Sequence for executing a Mass Erase**

Giving the significance of the ‘Mass Erase’ command, a specific code sequence must be executed to initiate this operation.

1. Set bit 3 in FEExMOD.
2. Write 0xFFC3 in FEExADR
3. Write 0x3CFF in FEExDAT
4. Run the Mass Erase command 0x06 in FEExCON

This sequence is illustrated in the following example,:

```
FEExMOD= 0x08
FEExADR= 0xFFC3
FEExDAT= 0x3CFF
FEExCON= 0x06; // Mass-Erase command
while (FEExSTA & 0x04){} //Wait for command to finish
```

Note: To run the mass erase command via FEE0CON, Write protection on the lower 64kbytes must be disabled, i.e. FEE1HIDE/FEE1PRO are set to 0xFFFFFFFF. This may be done by first removing the protection or erasing the lower 64kbytes first.

**FEE0STA and FEE1STA Registers :**

**Name :** FEE0STA and FEE1STA  
**Address :** 0xFFFF0E00 and 0xFFFF0E80  
**Default Value (both registers) :** 0x00  
**Access :** ReadOnly

**Function :** These 8-bit read only registers can be read by user code and reflect the current status of the Flash/EE memory controllers.

Table 12: FEE0STA and FEE1STA MMR bit designations

| Bit  | Description (note x is 0 or 1 to designate Flash/EE Block 0 or 1)  |
|------|--|
| 15-4 | Not Used<br>These bits are not used and will always read as 0.   |
| 3    | Flash Interrupt Status Bit<br>Set automatically when an interrupt occurs, i.e. when a command is complete and the Flash/EE interrupt enable bit in the FEExMOD register is set<br>Cleared automatically when the FEExSTA register is read by user code |
| 2    | Flash/EE controller busy<br>Set automatically when the Flash/EE controller is busy<br>Cleared automatically when the controller is not busy  |
| 1    | Command fail<br>Set automatically when a command written to FEExCON completes unsuccessfully<br>Cleared automatically when the FEExSTA register is read by user code   |
| 0    | Command Successful<br>Set automatically by MCU when a command is completed successfully.<br>Cleared automatically when the FEExSTA register is read by user code   |

**FEE0ADR and FEE1ADR Registers:**

**Name :** FEE0ADR and FEE1ADR  
**Address :** 0xFFFF0E10 and 0xFFFF0E90  
**Default Value :** Non Zero  
**Access :** Read/Write Access

**Function :** This 16-bit register dictates the address upon which any Flash/EE command executed via FEExCON will act upon.

**FEE0DAT and FEE1DAT Registers:**

**Name :** FEE0DAT and FEE1DAT  
**Address :** 0xFFFF0E0C and 0xFFFF0E8C  
**Default Value :** Non Zero  
**Access :** Read/Write Access

**Function :** This 16-bit register contains the data either read from or to be written to the Flash/EE memory.

**FEE0MOD and FEE1MOD Registers :**

**Name :** FEE0MOD and FEE1MOD  
**Address :** 0xFFFF0E04 and 0xFFFF0E84  
**Default Value (both registers) :** 0x00  
**Access :** Read/Write

**Function :** These registers are written by user code to configure the mode of operation of the Flash/EE memory controllers.

Table 13: FEE0MOD and FEE1MOD MMR bit designations

| Bit  | Description (note: x is 0 or 1 to designate Flash/EE Block 0 or 1)   |
|------|--|
| 15-7 | Not Used   |
| 6, 5 | These bits are reserved for future functionality and should be written as 0 by user code<br><i>Flash/EE Security Lock Bits</i><br><i>These bits must be written as [6,5] = 1,0 to complete the Flash security protect sequence</i>   |
| 4    | Flash/EE Controller Command Complete Interrupt Enable<br>This bit is set to 1 by user code to enable the Flash/EE controller to generate an interrupt upon completion of a Flash/EE command.   |
| 3    | This bit is cleared to disable the generation of a Flash/EE interrupt upon completion of a Flash/EE command.<br>Flash/EE Erase/Write Enable<br>Set by user code to enable the Flash/EE erase and write access via FEEExCON<br>Cleared by user code to disable the Flash/EE erase and write access via FEEExCON |
| 2    | Reserved and should be written as zero   |
| 1    | Flash/EE Controller Abort Enable<br>This bit is set to 1 by user code to enable the Flash/EE controller abort functionality.   |
| 0    | Reserved and should be written as zero   |

**FLASH/EE MEMORY SECURITY**

The 94kByte of Flash/EE memory available to the user can be read and write protected using the FFE0HID and FEE1HID registers.

In Block0, the FEE0HID MMR protects the 30kBytes. Bits 0-28 of this register protect pages 0-57 from writing. Each bit protects 2 pages, i.e. 1kBytes. Bits 29-30 protect pages 58 and 59 respectively, i.e. each bit write protects a single page of 512 bytes. The MSB of this register (Bit31) protects Block0 from been read via JTAG.

The FEE0PRO register mirrors the bit definitions of the FEE0HID MMR. The FEE0PRO MMR allows user code to lock the protection or security configuration of the Flash memory so that the protection configuration is automatically loaded on subsequent power-on or reset events. This flexibility allows the user to set and test protection settings temporarily using the

FEE0HID MMR and subsequently lock the required protection configuration (using FEE0PRO) when shipping protection systems into the field.

In Block1 (64K), the FEE1HID MMR protects the 64kBytes. Bits 0-29 of this register protect pages 0-119 from writing. Each bit protects 4 pages, i.e. 2kBytes. Bit30 protect pages 120-127, i.e. bit 30 write protects eight pages of 512 bytes. The MSB of this register (Bit31) protects Flash/EE Block1, from been read via JTAG.

As with Block0, FEE1PRO register mirrors the bit definitions of the FEE1HID MMR. The FEE1PRO MMR is allows user code to lock the protection or security configuration of the Flash memory so that the protection configuration is automatically loaded on subsequent power-on or reset events.

**Block0, Flash/EE Memory Protection Registers :**

**Name :** FEE0HID and FEE0PRO  
**Address :** 0xFFFFF0E20 (for FEE0HID) and 0xFFFFF0E1C (for FEE0PRO)  
**Default Value (both registers) :** 0xFFFFFFFF  
**Access :** Read/Write Access

**Function :** These registers are written by user code to configure the protection of the Flash/EE memory.

Table 14: FEE0HID and FEE0PRO MMR bit designations

| Bit  | Description (note: x is 0 or 1 to designate Flash/EE Block 0 or 1)  |
|------|---|
| 31   | Read protection<br>Cleared by user to protect the 32kbyte Flash/EE Block code via JTAG read access<br>Set by user to allow reading the 32kbyte Flash/EE Block code via JTAG read access   |
| 30   | Write Protection Bit<br>This bit is set by user code to unprotect protect page 59<br>This bit is cleared by user code write protect page 59   |
| 29   | Write Protection Bit<br>This bit is set by user code to unprotect page 58<br>This bit is cleared by user code write protect page 58   |
| 28-0 | Write Protection Bits<br>When set by user code these bits will unprotect pages 0-57 of the 30KB Flash/EE code memory. Each bit write protects 2 pages and each pages consists of 512 bytes.<br>When cleared by user code these bits will write protect pages 0-57 of the 30KB Flash/EE code memory. Each bit write protects 2 pages and each pages consists of 512 bytes. |

**Block1, Flash/EE Memory Protection Registers :**

**Name :** FEE1HID and FEE1PRO  
**Address :** 0xFFFFF0EA0 (for FEE0HID) and 0xFFFFF0E9C (for FEE0PRO)  
**Default Value (both registers) :** 0xFFFFFFFF  
**Access :** Read/Write Access

**Function :** These registers are written by user code to configure the protection of the Flash/EE memory.

Table 15: FEE1HID and FEE1PRO MMR bit designations

| Bit  | Description   |
|------|---|
| 31   | Read protection<br>Cleared by user to protect the 64kbyte Flash/EE Block code via JTAG read access<br>Set by user to allow reading the 64kbyte Flash/EE Block code via JTAG read access   |
| 30   | Read protection<br>When set by user code these bits will protect pages 120-127 of the 64KB Flash/EE code memory. This bit write protects 8 pages and each page consists of 512 bytes.<br>When cleared by user code these bits will write protect pages 120-127 of the 64KB Flash/EE code memory. This bit write protects 8 pages and each page consists of 512 bytes.       |
| 29-0 | Write Protection Bits<br>When set by user code these bits will unprotect pages 0-119 of the 64KB Flash/EE code memory. Each bit write protects 4 pages and each pages consists of 512 bytes.<br>When cleared by user code these bits will write protect pages 0-119 of the 64KB Flash/EE code memory. Each bit write protects 2 pages and each pages consists of 512 bytes. |

In Summary, there are three levels of protection:

- Temporary Protection can be set and removed by writing directly into FEEExHID MMR. This register is volatile and therefore protection will only be in place while the part remains powered on. This protection is not reloaded after a power cycle.
- Keyed Permanent Protection can be set via FEEExPRO which is used to lock the protection configuration. The software key used at the start of the required FEEExPRO write sequence is saved once and MUST subsequently be used for any subsequent access of the FEEExHID or FEEExPRO MMRs. A mass erase will set the key back to 0xFFFF but will also erase the entire user code space.
- Permanent Protection can be set via FEEExPRO, similarly to Keyed Permanent Protection, the only difference been that the software key used is 0xDEADDEAD. Once the FEEExPRO write sequence is saved, only a mass erase will set the key back to 0xFFFFFFFF. This will also erase the entire user code space.

Sequence to write the key and set permanent protection:

1. Write in FEEExPRO corresponding to the pages to be protected.
2. Write the new (user defined) 32 bit key in FEEExADR [ Bits 31-16 ] and FEEExDAT [ Bits 15-0 ].
3. Write 1,0 in FEEExMOD[6:5] and set FEEExMOD[3].
4. Run the write key command 0x0C in FEEExCON.

To remove or modify the protection the same sequence can be used with a modified value of FEEExPRO.

The sequence above is illustrated in the following example, this protects writing pages 4 and 5of the FLASH:

```

FEEExPRO =0xFFFFFFFF; //Protect pages 4 and 5
FEEExADR =0x66BB; //32 bit key value [Bits 31-16]
FEEExDAT =0xAA55; //32 bit key value [Bits 15-0]
FEEExMOD = 0x0048 // Lock Security Sequence
FEEExCON = 0x0C; // Write key command
while (FEEExSTA & 0x04){} //Wait for command to finish
    
```

## FLASH/EE MEMORY RELIABILITY

The Flash/EE memory array on the part is fully qualified for two key Flash/EE memory characteristics: Flash/EE memory cycling endurance and Flash/EE memory data retention.

Endurance quantifies the ability of the Flash/EE memory to be cycled through many program, read, and erase cycles. A single endurance cycle is composed of four independent, sequential events, defined as:

1. Initial page erase sequence.
2. Read/verify sequence a single Flash/EE.
3. Byte program sequence memory.
4. Second read/verify sequence endurance cycle.

In reliability qualification, every half word (16-bit wide) location of the three pages(top, middle and bottom) in the Flash/EE memory is cycled 10,000 times from 0x0000 to 0xFFFF. As indicated in Table 1, the parts' Flash/EE memory endurance qualification is carried out in accordance with JEDEC Retention Lifetime Specification A117 . the results allow the specification of a minimum endurance figure over supply, temperature of 10,000 cycles.

Retention quantifies the ability of the Flash/EE memory to retain its programmed data over time. Again, the parts is qualified in accordance with the formal JEDEC Retention Lifetime Specification (A117) at a specific junction temperature (T) = 85°C). As part of this qualification procedure, the Flash/EE memory is cycled to its specified endurance limit, described previously, before data retention is characterized. This means that the Flash/EE memory is guaranteed to retain its data for its fully specified retention lifetime every time the Flash/EE memory is reprogrammed. Also note that retention lifetime, based on an activation energy of 0.6 eV, derates with Tj as shown in Figure 12.

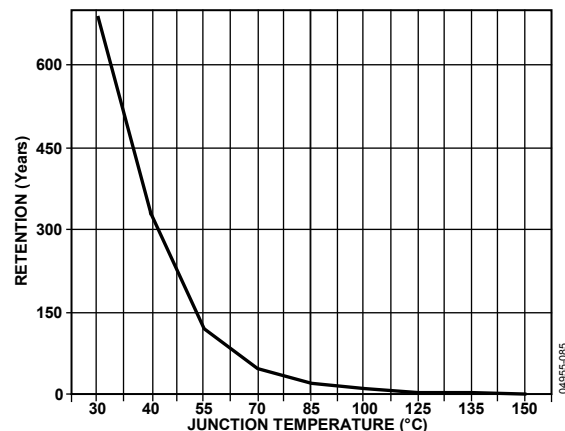


Figure 12. Flash/EE Memory Data Retention

## CODE EXECUTION TIME FROM SRAM AND FLASH/EE

This chapter describes SRAM and Flash/EE access times during execution for applications where execution time is critical.

### Execution from SRAM

Fetching instructions from SRAM takes one clock cycle as the access time of the SRAM is 2ns and a clock cycle is 49ns minimum. However, if the instruction involves reading or writing data to memory, one extra cycle must be added if the data is in SRAM, or three cycle if the data is in Flash/EE, one cycle to execute the instruction and two cycles to get the 32-bit data from Flash/EE. A control flow instruction, for example a branch instruction will take one cycle to fetch but also two cycle to fill the pipeline with the new instructions.

### Execution from Flash/EE

Because the Flash/EE width is 16-bit, execution from Flash/EE cannot be done in one cycle, as from SRAM, when CD bit =0. Also some dead time is needed before accessing data for any value of CD bits.

In ARM mode, where instructions are 32 bits, two extra cycles are needed to fetch any instruction when CD = 0 and in Thumb mode, where instructions are 16 bits, one extra cycle is needed to fetch any instruction.

Timing is identical in both modes when executing instructions that involve using the Flash/EE for data memory. If the instruction to be executed is a control flow instruction, an extra cycle is needed to decode the new address of the program counter and then four cycles are needed to fill the pipe-line. A data processing instruction involving only core register doesn't require any extra clock cycle but if it involves data in Flash/EE,

an extra clock cycle is needed to decode the address of the data and two cycles to get the 32-bit data from Flash/EE. An extra cycle must also be added before fetching another instruction. Data transfer instruction are more complex and are summarized Table 16.

Table 16: Typical execution cycles in ARM/Thumb mode

| Instructions | Fetch cycles | Dead time | Data access  |
|--------------|--------------|-----------|--------------|
| LD           | 2/1          | 1         | 2            |
| LDH          | 2/1          | 1         | 1            |
| LDM/POP      | 2/1          | N         | 2 x N        |
| STR          | 2/1          | 1         | 2 x 50µs     |
| STRH         | 2/1          | 1         | 50µs         |
| STM/PUSH     | 2/1          | N         | 2 x N x 50µs |

With  $1 < N \leq 16$ , N number of data to load or store in the multiple load/store instruction.

By default, Flash/EE code execution will be suspended during any Flash/EE erase or write cycle. A page (512 Bytes) erase cycle will take 20 ms and a write (16 bits) word command will take 50us. However, the FLASH/EE controller allows Erase/Write cycles to be aborted, if the ARM core receives an enabled interrupt during the current FLASH/EE Erase/Write cycle. The ARM7 can therefore immediately service the interrupt and then return to repeat the FLASH/EE command. The Abort operation will typically take 10 clock cycles. If the abort operation is not feasible, it is possible to run FLASH/EE programming code and the relevant interrupt routines from SRAM, allowing the core to service the Interrupt immediately.

## ADUC7032 KERNEL

The ADuC7032 features an on-chip Kernel resident in the top 2k of the Flash/EE Code space. After any reset event, this kernel copies the factory calibrated data from the manufacturing data space, into the various on-chip peripherals. The peripherals calibrated by the Kernel are:

- PSM Power Supply Monitor
- Precision, Oscillator
- Low Power, Oscillator
- REG\_AVDD/ REG\_DVDD
- Low Power Voltage Reference
- Normal Mode Voltage Reference
- Current ADC ( Offset and Gain )
- Voltage ADC ( Offset and Gain )
- Temperature ADC ( Offset and Gain )

User MMRs which may be modified by the kernel and differ from their POR default values are as follows:

- R0-R15
- GP0CON/GP2CON
- SYSCHK
- ADCMDE/ADC0CON
- FEE0ADR/FEE0CON/FEESIG
- HVDAT/HVCON
- HVCFG0/1
- T3LD

The ADuC7032 also features an On-Chip LIN downloader. The operation of this download is detailed in “ADuC7032Series Flash/EE Programming via LIN” Technote.

A flow chart showing the execution of the kernel is shown in Figure 13.

The current revision of the Kernel may be derived from SYSSER1, as described in Table 85.

For the duration of Kernel execution, the Watchdog Timer is active with a timeout period of 30ms. This ensures that if an error occurs in the Kernel, the ADuC7032 will be reset. After any reset, the Watchdog timer is disabled once the Kernel code is exited.

Normal Kernel execution time, excluding LIN Download, is approximately 5ms.

It is only possible to leave LIN download mode via a Reset.

SRAM is not corrupted during normal Kernel execution. SRAM is corrupted during LIN download Kernel execution.

**NOTE:** User code will not be executed unless location 0x14 contains either 0x27011970 or the checksum of Page Zero, excluding location 0x14. If location 0x14 does not contain this information user code will not be executed and LIN download mode will be entered. For more information please refer to the relevant LIN download Technote.

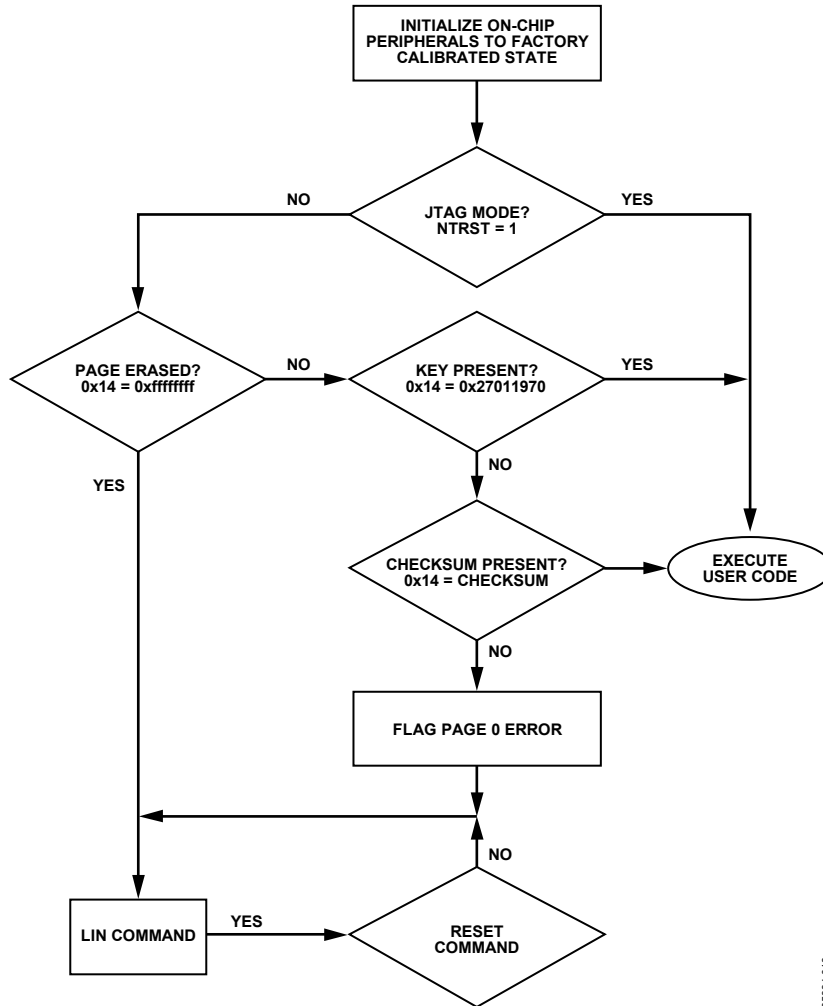


Figure 13: ADuC7032 Kernel Flowchart

05694-013

## MEMORY MAPPED REGISTERS

The Memory Mapped Register (MMR) space is mapped into the top 4kBytes of the MCU memory space and accessed by indirect addressing, load and store commands, through the ARM7 banked registers. An outline of the ADuC7032s Memory Mapped Register Bank is shown in Figure 14.

The MMR space provides an interface between the CPU and all on-chip peripherals. All registers except the ARM7 core registers (described in ARM Registers) reside in the MMR area.

As can be seen from the detailed MMR map in Table 17, the MMR data widths vary from 1 Byte (8 bits) to 4 Bytes (32 bits). The ARM7 core can access any of the MMRs (single byte or multiple byte width registers) with a 32 bit read or write access. The resultant read for example, aligned per 'little endian' format described earlier. However, errors will result if the ARM7 core tries to access 4 Byte (32 bit) MMRs with a 16-bit access. In the case of a (16-bit) write access to a 32-bit MMR, the (upper) 16 most significant bits will be written as 0's. More obviously, in the case of a 16-bit read access to a 32-bit MMR, only 16 of the MMR bits can be read.

|            |                            |
|------------|----------------------------|
| 0xFFFFFFFF |                            |
| 0xFFFF1000 | FLASH CONTROL INTERFACE    |
| 0xFFFF0E00 |                            |
| 0xFFFF0D50 | GPIO                       |
| 0xFFFF0D00 |                            |
| 0xFFFF0A14 | SPI                        |
| 0xFFFF0A00 |                            |
| 0xFFFF0894 | SERIAL TEST INTERFACE      |
| 0xFFFF0880 |                            |
| 0xFFFF0810 | HV INTERFACE               |
| 0xFFFF0800 |                            |
| 0xFFFF079C | LIN/BSD HARDWARE           |
| 0xFFFF0780 |                            |
| 0xFFFF0730 | UART                       |
| 0xFFFF0700 |                            |
| 0xFFFF0568 | ADC                        |
| 0xFFFF0500 |                            |
| 0xFFFF044C | PLL AND OSCILLATOR CONTROL |
| 0xFFFF0400 |                            |
| 0xFFFF0394 | GENERAL PURPOSE TIMER 4    |
| 0xFFFF0380 |                            |
| 0xFFFF0370 | WATCHDOG TIMER 3           |
| 0xFFFF0360 |                            |
| 0xFFFF0350 | WAKE UP TIMER 2            |
| 0xFFFF0340 |                            |
| 0xFFFF0334 | GENERAL PURPOSE TIMER 1    |
| 0xFFFF0320 |                            |
| 0xFFFF0318 | TIMER 0                    |
| 0xFFFF0300 |                            |
| 0xFFFF0244 | REMAP AND SYSTEM CONTROL   |
| 0xFFFF0220 |                            |
| 0xFFFF0110 | INTERRUPT CONTROLLER       |
| 0xFFFF0000 |                            |

Figure 14: Top Level MMR Map



Table 17: Complete MMR List

| Address   | Name                 | Byte | Access Type | Default Value | Page | Description   |
|---|----------------------|------|-------------|---------------|------|---|
| <b>IRQ</b> address base = 0xFFFF0000            |                      |      |             |               |      |   |
| 0x0000  | IRQSTA               | 4    | R           | 0x00000000    | 75   | Active IRQ Source   |
| 0x0004  | IRQSIG <sup>1</sup>  | 4    | R           |               | 75   | Current State of all IRQ sources ( Enabled and Disabled ) |
| 0x0008  | IRQEN                | 4    | RW          | 0x00000000    | 75   | Enabled IRQ sources                                       |
| 0x000C  | IRQCLR               | 4    | W           | 0x00000000    | 75   | MMR used to disabled IRQ Sources                          |
| 0x0010  | SWICFG               | 4    | W           |               | 76   | Software Interrupt Configuration MMR                      |
| 0x0100  | FIQSTA               | 4    | R           | 0x00000000    | 75   | Active IRQ Source   |
| 0x0104  | FIQSIG <sup>1</sup>  | 4    | R           |               | 75   | Current State of all IRQ sources ( Enabled and Disabled ) |
| 0x0108  | FIQEN                | 4    | RW          | 0x00000000    | 75   | Enabled IRQ sources                                       |
| 0x010C  | FIQCLR               | 4    | W           | 0x00000000    | 75   | MMR used to disabled IRQ Sources                          |
| <b>System Control</b> address base = 0xFFFF0200 |                      |      |             |               |      |   |
| 0x0220  | SYSMAP0              | 1    | RW          |               | 29   | REMAP control Register                                    |
| 0x0230  | RSTSTA               | 1    | RW          | 0x01          | 30   | Reset Status MMR  |
| 0x0234  | RSTCLR               | 1    | W           | 0x00          | 30   | RSTSTA clear MMR  |
| 0x0238  | SYSSER0 <sup>2</sup> | 4    | RW          |               | 125  | SYSTEM Serial Number 0                                    |
| 0x023C  | SYSSER1 <sup>2</sup> | 4    | RW          |               | 126  | SYSTEM Serial Number 1                                    |
| 0x0240  | SYSCHK <sup>2</sup>  | 4    | RW          |               | 126  | Kernel Checksum   |
| <b>Timer</b> address base = 0xFFFF0300          |                      |      |             |               |      |   |
| 0x0300  | T0LD                 | 4    | RW          | 0x00000000    | 79   | Timer 0 Load Register                                     |
| 0x0304  | T0VAL0               | 2    | R           | 0x0000        | 78   | Timer 0 Value Register 0                                  |
| 0x0308  | T0VAL1               | 4    | R           | 0x00000000    | 78   | Timer 0 Value Register 1                                  |
| 0x030C  | T0CON                | 2    | RW          | 0x0000        | 79   | Timer 0 Control MMR                                       |
| 0x0310  | T0CLRI               | 1    | W           | 0xFF          | 79   | Timer 0 Interrupt Clear Register                          |
| 0x0314  | T0CAP                | 2    | RW          | 0x0000        | 78   | Timer 0 Capture Register                                  |
| 0x0320  | T1LD                 | 4    | RW          | 0x00000000    | 80   | Timer 1 Load Register                                     |
| 0x0324  | T1VAL                | 4    | R           | 0xFFFFFFFF    | 80   | Timer 1 Value Register                                    |
| 0x0328  | T1CON                | 2    | RW          | 0x0000        | 81   | Timer 1 Control MMR                                       |
| 0x032C  | T1CLRI               | 1    | W           | 0xFF          | 80   | Timer 1 Interrupt Clear Register                          |
| 0x0330  | T1CAP                | 4    | RW          | 0x00000000    | 81   | Timer 1 Capture Register                                  |
| 0x0340  | T2LD                 | 4    | RW          | 0x00000000    | 82   | Timer 2 Load Register                                     |
| 0x0344  | T2VAL                | 4    | R           | 0xFFFFFFFF    | 82   | Timer 2 Value Register                                    |
| 0x0348  | T2CON                | 2    | RW          | 0x00          | 83   | Timer 2 Control MMR                                       |
| 0x034C  | T2CLRI               | 1    | W           | 0xFF          | 82   | Timer 2 Interrupt Clear Register                          |
| 0x0360  | T3LD <sup>2</sup>    | 2    | RW          |               | 84   | Timer 3 Load Register                                     |
| 0x0364  | T3VAL <sup>2</sup>   | 2    | R           |               | 84   | Timer 3 Value Register                                    |

|                                      |                     |   |    |        |    |  |
|--------------------------------------|---------------------|---|----|--------|----|--|
| 0x0368                               | T3CON <sup>2</sup>  | 2 | RW |        | 85 | Timer 3 Control MMR                            |
| 0x036C                               | T3CLR <sup>2</sup>  | 1 | W  |        | 85 | Timer 3 Interrupt Clear Register               |
| <b>PLL base address = 0xFFFF0400</b> |                     |   |    |        |    |  |
| 0X0400                               | PLLSTA              | 4 | RW | 0x02   | 69 | PLL Status MMR                                 |
| 0x0404                               | POWKEY0             | 4 | W  |        | 70 | POWCON Pre Write Key                           |
| 0x0408                               | POWCON              | 1 | RW | 0x79   | 71 | Power Control and Core speed Control Register  |
| 0x040C                               | POWKEY1             | 4 | W  |        | 70 | POWCON Post Write Key                          |
| 0x0410                               | PLLKEY0             | 4 | W  |        | 70 | PLLCON Pre Write Key                           |
| 0x0414                               | PLLCON              | 1 | RW | 0x00   | 70 | PLL clock source selection MMR                 |
| 0x0418                               | PLLKEY1             | 4 | W  |        | 70 | PLLCON Post Write Key                          |
| 0x042C                               | OSCOTRM             | 1 | RW | 0x08   | 73 | Low Power Oscillator trim bits MMR.            |
| 0x0440                               | OSCOCON             | 1 | RW | 0x00   | 73 | Low Power Oscillator Calibration Control MMR   |
| 0x0444                               | OSCOSTA             | 1 | R  | 0x00   | 74 | Low Power Oscillator Calibration Status MMR    |
| 0x0448                               | OSCOVAL0            | 2 | R  | 0x00   | 74 | Low Power Oscillator Calibration Counter 0 MMR |
| 0x044C                               | OSCOVAL1            | 2 | R  | 0x00   | 74 | Low Power Oscillator Calibration Counter 1 MMR |
| <b>ADC address base = 0xFFFF0500</b> |                     |   |    |        |    |  |
| 0x0500                               | ADCSTA              | 2 | R  | 0x0000 | 49 | ADC Status MMR                                 |
| 0x0504                               | ADCMSKI             | 1 | RW | 0x00   | 50 | ADC Interrupt Source Enable MMR                |
| 0x0508                               | ADCMDE              | 1 | RW | 0x00   | 51 | ADC Mode Register                              |
| 0x050C                               | ADC0CON             | 2 | RW | 0x0000 | 52 | Current ADC Control MMR                        |
| 0x0510                               | ADC1CON             | 2 | RW | 0x0000 | 53 | Voltage ADC Control MMR                        |
| 0x0514                               | ADC2CON             | 2 | RW | 0x0000 | 54 | Temperature ADC Control MMR                    |
| 0x0518                               | ADCFLT              | 2 | RW | 0x0007 | 55 | ADC Filter Control MMR                         |
| 0x051C                               | ADCCFG              | 1 | RW | 0x00   | 57 | ADC Configuration MMR                          |
| 0x0520                               | ADC0DAT             | 2 | R  | 0x0000 | 58 | Current ADC Result MMR                         |
| 0x0524                               | ADC1DAT             | 2 | R  | 0x0000 | 58 | V ADC Result MMR                               |
| 0x0528                               | ADC2DAT             | 2 | R  | 0x0000 | 58 | V ADC Result MMR                               |
| 0x052C                               | ADCFIFO             | 4 | R  |        | 58 | Current/Voltage Result FIFO                    |
| 0x0530                               | ADC0OF <sup>2</sup> | 2 | RW |        | 58 | Current ADC Offset MMR                         |
| 0x0534                               | ADC1OF <sup>2</sup> | 2 | RW |        | 58 | Voltage ADC Offset MMR                         |
| 0x0538                               | ADC2OF <sup>2</sup> | 2 | RW |        | 58 | Temperature ADC Offset MMR                     |
| 0x053C                               | ADC0GN <sup>2</sup> | 2 | RW |        | 59 | Current ADC Gain MMR                           |
| 0x0540                               | ADC1GN <sup>2</sup> | 2 | RW |        | 59 | Voltage ADC Gain MMR                           |
| 0x0544                               | ADC2GN <sup>2</sup> | 2 | RW |        | 59 | Temperature ADC Gain MMR                       |
| 0x0548                               | ADC0RCL             | 2 | RW | 0x0001 | 59 | Current ADC Result Count Limit                 |
| 0x054C                               | ADC0RCV             | 2 | R  | 0x0000 | 59 | Current ADC Result Count Value                 |
| 0x0550                               | ADC0TH              | 2 | RW | 0x0000 | 59 | Current ADC Result Threshold                   |

|   |                     |     |     |            |     |   |
|---|---------------------|-----|-----|------------|-----|---|
| 0x0554  | ADC0TCL             | 1   | RW  | 0x01       | 59  | Current ADC Result Threshold Count Limit          |
| 0x0558  | ADC0THV             | 1   | R   | 0x00       | 60  | Current ADC Result Threshold Count Limit Value    |
| 0x055C  | ADC0ACC             | 4   | R   | 0x00000000 | 60  | Current ADC Result Accumulator                    |
| 0x0560  | ADC0ATH             | 4   | RW  | 0x00000000 | 60  | Current ADC Result Accumulator Threshold          |
| 0x057C  | ADCREF <sup>2</sup> | 4   | R   |            | 60  | Low Power Mode Voltage Reference Scaling Factor   |
| <b>UART</b> BASE ADDRESS = 0xFFFF0700                   |                     |     |     |            |     |   |
| 0x0700  | COMTX               | 1   | W   | 0x00       | 107 | UART Transmit Register                            |
|   | COMRX               | 1   | R   |            | 107 | UART Receive Register                             |
|   | COMDIV0             | 1   | RW  |            | 107 | UART Standard Baud Rate Generator Divisor Value 0 |
| 0x0704  | COMIEN0             | 1   | RW  | 0x00       | 110 | UART Interrupt Enable MMR 0                       |
|   | COMDIV1             | 1   | R/W |            | 107 | UART Standard Baud Rate Generator Divisor Value 1 |
| 0x0708  | COMIID0             | 1   | R   | 0x01       | 110 | UART Interrupt Identification 0                   |
| 0x070C  | COMCON0             | 1   | RW  | 0x00       | 108 | UART Control Register 0                           |
| 0x0710  | COMCON1             | 1   | RW  | 0x00       | 109 | UART Control Register 1                           |
| 0x0714  | COMSTA0             | 1   | R   | 0x60       | 109 | UART Status Register 0                            |
| 0X072C  | COMDIV2             | 2   | RW  | 0x0000     | 111 | UART Fractional Divider MMR                       |
| <b>LIN Hardware Sync</b> base address = 0xFFFF0780      |                     |     |     |            |     |   |
| 0x0780  | LHSSTA              | 1   | R   | 0x00       | 116 | LHS Status MMR                                    |
| 0x0784  | LHSCON0             | 2   | R/W | 0x0000     | 117 | LHS Control MMR 0                                 |
| 0x0788  | LHSVAL0             | 2   | R/W | 0x0000     | 118 | LHS Timer 0 MMR                                   |
| 0x078C  | LHSCON1             | 1   | R/W | 0x32       | 118 | LHS Control MMR 1                                 |
| 0x0790  | LHSVAL1             | 1.5 | R/W | 0x0000     | 119 | LHS Timer 1 MMR                                   |
| <b>High Voltage Interface</b> base address = 0xFFFF0800 |                     |     |     |            |     |   |
| 0x0804  | HVCON               | 1   | RW  |            | 99  | High Voltage Interface Control MMR                |
| 0x080C  | HVDAT               | 1.5 | RW  |            | 99  | High Voltage Interface Data MMR                   |
| <b>SPI</b> base address = 0xFFFF0A00                    |                     |     |     |            |     |   |
| 0x0A00  | SPISTA              | 1   | R   | 0x00       | 114 | SPI Status MMR                                    |
| 0x0A04  | SPIRX               | 1   | R   | 0x00       | 114 | SPI Receive MMR                                   |
| 0x0A08  | SPITX               | 1   | W   | 0x00       | 114 | SPI Transmit MMR                                  |
| 0x0A0C  | SPIDIV              | 1   | RW  | 0x1B       | 114 | SPI Baud Rate Select MMR                          |
| 0x0A10  | SPICON              | 2   | RW  | 0x00       | 113 | SPI Control MMR                                   |
| <b>GPIO</b> base address = 0xFFFF0D00                   |                     |     |     |            |     |   |
| 0x0D 00   | GP0CON              | 4   | RW  | 0x00000000 | 88  | GPIO Port 0 Control MMR                           |
| 0x0D 04   | GP1CON              | 4   | RW  | 0x00000000 | 89  | GPIO Port 1 Control MMR                           |
| 0x0D 08   | GP2CON              | 4   | RW  | 0x00000000 | 89  | GPIO Port 2 Control MMR                           |
| 0x0D 20   | GP0DAT <sup>3</sup> | 4   | RW  | 0x000000XX | 90  | GPIO Port 0 Data Control MMR                      |
| 0x0D 24   | GP0SET <sup>3</sup> | 4   | W   | 0x000000XX | 93  | GPIO Port 0 Data Set MMR                          |
| 0x0D 28   | GP0CLR <sup>3</sup> | 4   | W   | 0x000000XX | 95  | GPIO Port 0 Data Clear MMR                        |
| 0x0D 30   | GP1DAT <sup>3</sup> | 4   | RW  | 0x000000XX | 91  | GPIO Port 1 Data Control MMR                      |
| 0x0D 34   | GP1SET <sup>3</sup> | 4   | W   | 0x000000XX | 94  | GPIO Port 1 Data Set MMR                          |

|   |                     |   |    |            |    |                              |
|---|---------------------|---|----|------------|----|------------------------------|
| 0x0D38                                    | GP1CLR <sup>3</sup> | 4 | W  | 0x000000XX | 95 | GPIO Port 1 Data Clear MMR   |
| 0x0D40                                    | GP2DAT <sup>3</sup> | 4 | W  | 0x000000XX | 92 | GPIO Port 2 Data Control MMR |
| 0x0D44                                    | GP2SET <sup>3</sup> | 4 | W  | 0x000000XX | 94 | GPIO Port 2 Data Set MMR     |
| 0x0D48                                    | GP2CLR <sup>3</sup> | 4 | W  | 0x000000XX | 96 | GPIO Port 2 Data Clear MMR   |
| <b>Flash/EE</b> base address = 0xFFFF0E00 |                     |   |    |            |    |                              |
| 0x0E00                                    | FEE0STA             | 1 | R  | 0x00       | 33 | Flash/EE Status MMR          |
| 0x0E04                                    | FEE0MOD             | 2 | RW | 0x00       | 34 | Flash/EE Control MMR         |
| 0x0E08                                    | FEE0CON             | 1 | RW | 0x07       | 32 | Flash/EE Control MMR         |
| 0x0E0C                                    | FEE0DAT             | 2 | RW |            | 33 | Flash/EE Data MMR            |
| 0x0E10                                    | FEE0ADR             | 2 | RW |            | 33 | Flash/EE Address MMR         |
| 0x0E18                                    | FEE0SIG             | 3 | R  | 0xFFFFFFFF |    | Flash/EE LFSR MMR            |
| 0x0E1C                                    | FEE0PRO             | 4 | RW | 0x00000000 | 35 | Flash/EE Protection MMR      |
| 0x0E20                                    | FEE0HID             | 4 | RW | 0xFFFFFFFF | 35 | Flash/EE Protection MMR      |
| 0x0E80                                    | FEE1STA             | 1 | R  | 0x00       | 33 | Flash/EE Status MMR          |
| 0x0E84                                    | FEE1MOD             | 2 | RW | 0x00       | 34 | Flash/EE Control MMR         |
| 0x0E88                                    | FEE1CON             | 1 | RW | 0x07       | 32 | Flash/EE Control MMR         |
| 0x0E8C                                    | FEE1DAT             | 2 | RW |            | 33 | Flash/EE Data MMR            |
| 0x0E90                                    | FEE1ADR             | 2 | RW |            | 33 | Flash/EE Address MMR         |
| 0x0E98                                    | FEE1SIG             | 3 | R  | 0x0000     |    | Flash/EE LFSR MMR            |
| 0x0E9C                                    | FEE1PRO             | 4 | RW | 0x00000000 | 35 | Flash/EE Protection MMR      |
| 0x0EA0                                    | FEE1HID             | 4 | RW | 0xFFFFFFFF | 35 | Flash/EE Protection MMR      |

<sup>1</sup> Depends on the level on the external interrupt pins GP0, GP5, GP7 and GP8

<sup>2</sup> Updated by Kernel

<sup>3</sup> Depends on the level on the external GPIO pins

# 16-BIT $\Sigma-\Delta$ ANALOG TO DIGITAL CONVERTERS

The ADuC7032 incorporates three independent sigma-delta ADCs namely, the Current Channel ADC (I-ADC), the Voltage Channel ADC (V-ADC) and the Temperature Channel ADC (T-ADC). These precision measurement channels integrate on-chip buffering, programmable gain amplifier, 16-bit sigma-delta modulators and digital filtering and are intended for the precision measurement of current, voltage and temperature variables in 12V automotive battery systems.

## CURRENT CHANNEL ADC (I-ADC)

This ADC is intended to convert battery current sensed through an external  $100\mu\Omega$  shunt resistor. On-Chip programmable gain mean the I-ADC can be configured to accommodate battery current levels from  $\pm 1A$  to  $\pm 1500A$

As shown in Figure 15 below, the I-ADC employs a sigma-delta conversion technique to realize 16 bits of no missing codes performance. The sigma-delta modulator converts the sampled input signal into a digital pulse train whose duty cycle contains

the digital information. A modified Sinc3 programmable low-pass filter is then employed to decimate the modulator output data stream to give a valid 16-Bit data conversion result at programmable output rates from 4Hz to 8 KHz in Normal mode and 1Hz to 2kHz in Low Power Mode.

The I-ADC also incorporates counter, comparator and accumulator logic. This allows the I-ADC result to generate an interrupt after a predefined number of conversions have elapsed or if the I-ADC result exceeds a programmable threshold value. A fast ADC-Over-Range feature is also supported. Once enabled, a 32-bit accumulator automatically sums the 16-bit I-ADC results.

The time to a first valid (fully settled) result on the current channel is three ADC conversion cycles with chop mode turned off and two ADC conversion cycles with chop mode turned on.

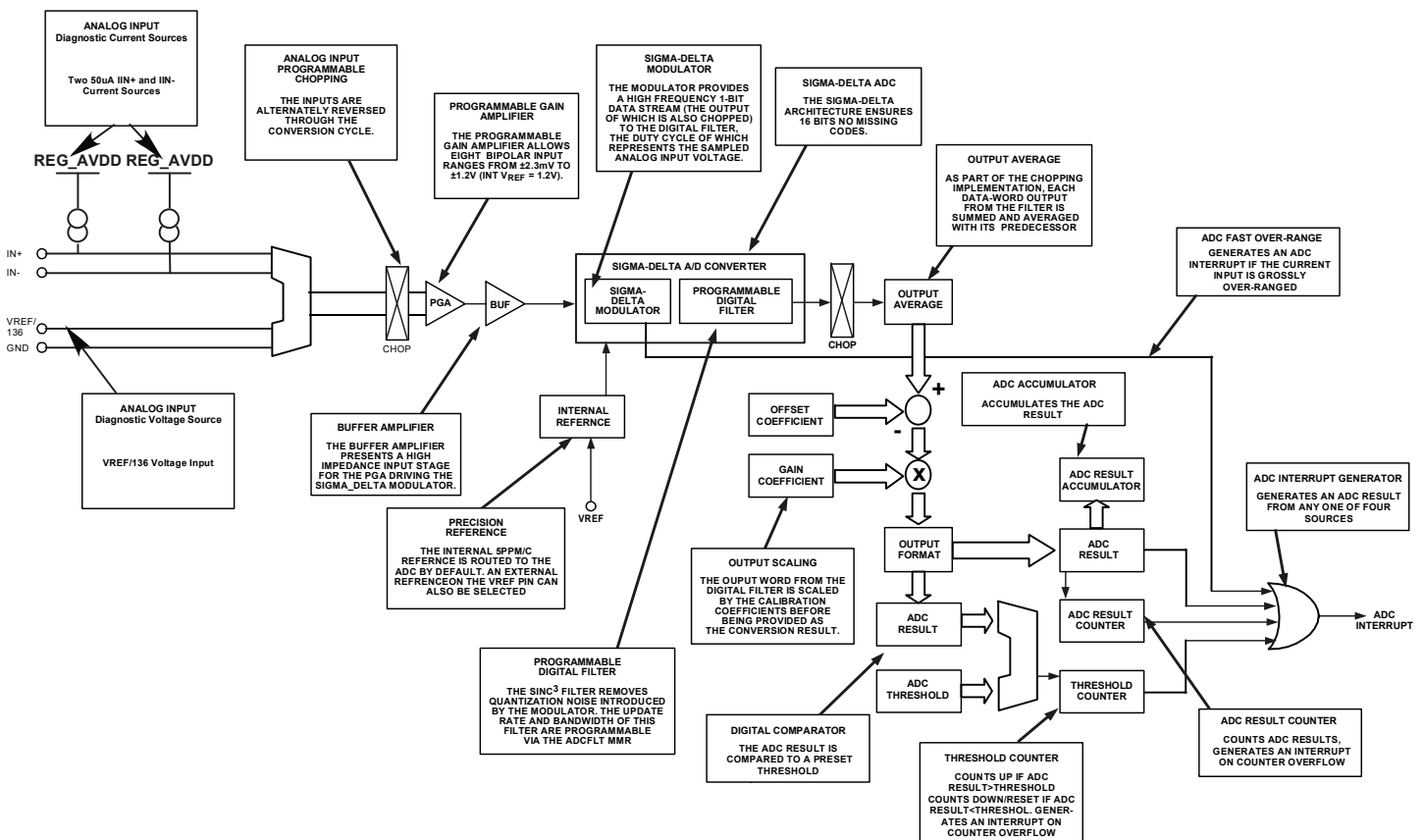


Figure 15: Current ADC, Top Level Overview

### VOLTAGE CHANNEL ADC (V-ADC)

This ADC is intended to convert battery voltage  $V_{BAT}$  with the Current Channel ADC described previously, this ADC employs an identical sigma-delta conversion technique, including a modified Sinc3 low-pass filter to give a valid 16-Bit data conversion result at programmable output rates from 4Hz to 8 KHz. An external RC filter network is not required as this is implemented internally in the voltage channel.

The external battery voltage ( $V_{BAT}$ ) is routed to the ADC input via an on-chip high voltage, resistive attenuator This must be enabled/disabled via HVCFG1[7].

The time to a first valid (fully settled) result on the voltage channel is three ADC conversion cycles with chop mode turned off and two ADC conversion cycles with chop mode turned on.

This ADC is again buffered but unlike the current channel has a fixed  $V_{BAT}$  input range of 0 V to 28.8V (assuming an internal 1.2V reference). A top level overview of this ADC signal chain is shown in Figure 16 below.

### TEMPERATURE CHANNEL ADC (T-ADC)

This ADC is intended to convert battery temperature. The battery temperature can be derived via the on-chip temperature sensor or an external temperature sensor input.

The time to a first valid (fully settled) result after an input channel switch on the temperature channel is three ADC conversion cycles with chop mode turned off and two ADC conversion cycles with chop mode turned on.

As with the Current and Voltage Channel ADCs, this ADC employs an identical sigma-delta conversion technique, including a modified Sinc3 low-pass filter to give a valid 16-Bit data conversion result at programmable output rates from 4Hz to 8 KHz

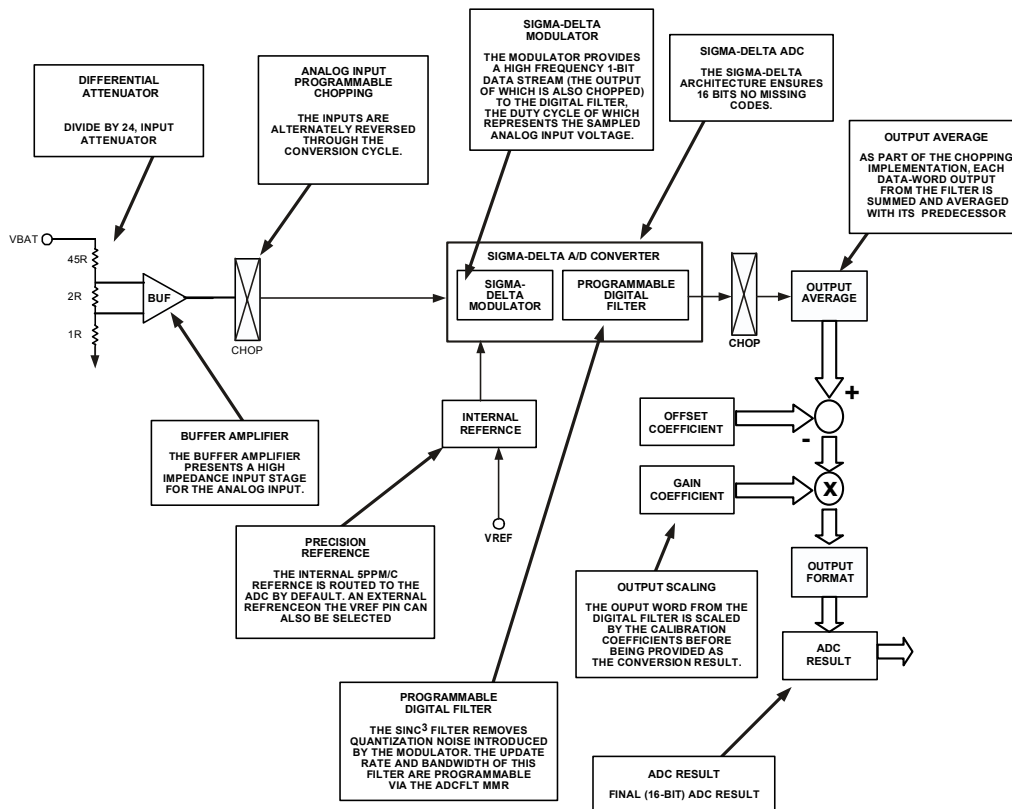


Figure 16 : Voltage/ Temperature ADC, Top Level Overview

### ADC GROUND SWITCH

The ADuC7032 features an integrated ground switch pin, GND\_SW located on Pin15. This switch allows the user to dynamically disconnect ground from external devices. It allows either a direct connection to ground, or a connection to ground via a 20kΩ, this additional resistor may be used to reduce the number of external components required for an NTC circuit.

The ground switch feature may be used for reducing power consumption on application specific boards..

An example application is shown in Figure 17. This diagram shows an external NTC used in two modes, one using the internal 20kΩ resistor, and the second showing a direct connection to ground, via the GND\_SW. ADCCFG[7] controls the connection of the ground switch to ground and ADCMDE[6] controls the GND\_SW resistance.

The possible combinations are shown in Table 18.

Table 18: GND\_SW Configuration

| ADCCFG[7] | ADCMDE[6] | GND_SW                                |
|-----------|-----------|---------------------------------------|
| 0         | 0         | Floating                              |
| 0         | 1         | Floating                              |
| 1         | 0         | Direct connection to Ground           |
| 1         | 1         | Connected to ground via 20kΩ resistor |

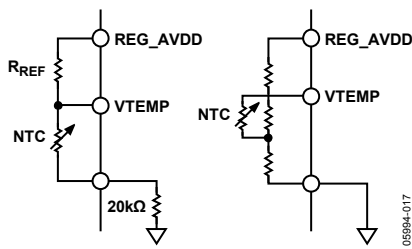


Figure 17: Example External Temperature Sensor Circuits

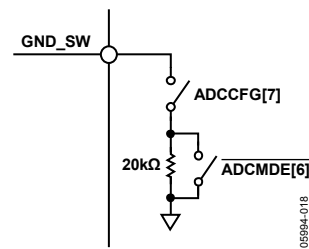


Figure 18: Internal Ground Switch Configuration

**ADC NOISE PERFORMANCE TABLES**

Table 19, Table 20 and Table 21 below show the output RMS noise in  $\mu\text{V}$  for some typical output update rates on the I and V/T ADCs. The numbers are typical and are generated at a differential input voltage of 0 V. The output RMS noise is specified as the standard deviation (or 1 X Sigma) of the distribution of ADC output codes collected when the ADC input voltage is at a dc voltage. It is expressed as  $\mu\text{V}$  RMS.

Table 19: Current Channel ADC, Normal Power Mode, Typical Output RMS Noise ( $\mu\text{V}$ )

| ADCFLT | Data Update Rate | ADC Input Range             |                             |                              |                              |                             |                           |                           |                            |                            |                           |
|--------|------------------|-----------------------------|-----------------------------|------------------------------|------------------------------|-----------------------------|---------------------------|---------------------------|----------------------------|----------------------------|---------------------------|
|        |                  | $\pm 2.3\text{mV}$<br>(512) | $\pm 4.6\text{mV}$<br>(256) | $\pm 4.68\text{mV}$<br>(128) | $\pm 18.75\text{mV}$<br>(64) | $\pm 37.5\text{mV}$<br>(32) | $\pm 75\text{mV}$<br>(16) | $\pm 150\text{mV}$<br>(8) | $\pm 300\text{mV}$<br>(4*) | $\pm 600\text{mV}$<br>(2*) | $\pm 1.2\text{V}$<br>(1*) |
| 0xBF1D | 4Hz              | 0.040                       | 0.040                       | 0.043                        | 0.087                        | 0.087                       | 0.175                     | 0.35                      | 0.7                        | 2.8                        | 2.8                       |
| 0x961F | 10Hz             | 0.060                       | 0.060                       | 0.060                        | 0.087                        | 0.087                       | 0.175                     | 0.35                      | 0.7                        | 2.8                        | 2.8                       |
| 0x007F | 50Hz             | 0.142                       | 0.142                       | 0.144                        | 0.145                        | 0.170                       | 0.305                     | 0.380                     | 0.7                        | 2.8                        | 2.8                       |
| 0x0007 | 1KHz             | 0.620                       | 0.620                       | 0.625                        | 0.625                        | 0.770                       | 1.310                     | 1.650                     | 2.520                      | 7.600                      | 7.600                     |
| 0x0000 | 8KHz             | 2.000                       | 2.000                       | 2.000                        | 2.000                        | 2.650                       | 4.960                     | 8.020                     | 15.0                       | 55.0                       | 55.0                      |

\*Please note that the maximum absolute input voltage allowed is  $-200\text{mV}$  to  $300\text{mV}$  relative to ground

Table 20: Voltage Channel ADC, Typical Output RMS Noise (referred to ADC Voltage attenuator Input)( $\mu\text{V}$ )

| ADCFLT | Data Update Rate | 28.8V ADC Input Range |
|--------|------------------|-----------------------|
| 0xBF1D | 4Hz              | 65                    |
| 0x961F | 10Hz             | 65                    |
| 0x0007 | 1KHz             | 180                   |
| 0x0000 | 8KHz             | 1600                  |

Table 21: Temperature Channel ADC, Typical Output RMS Noise ( $\mu\text{V}$ )

| ADCFLT | Data Update Rate | 0-1.2V ADC Input Range |
|--------|------------------|------------------------|
| 0xBF1D | 4Hz              | 2.8                    |
| 0x961F | 10Hz             | 2.8                    |
| 0x0007 | 1KHz             | 7.5                    |
| 0x0000 | 8KHz             | 55                     |



## ADC MMR INTERFACE

The ADC is controlled and configured via a number of MMRs that are described in detail in the following pages:

### ADC Status Register :

**Name :** ADCSTA  
**Address :** 0xFFFF0500  
**Default Value :** 0x0000  
**Access :** Read Only  
**Function :** This read only register holds general status information related to the mode of operation or current status of the ADuC7032ADCs.

Table 22 : ADCSTA MMR Bit Designations

| Bit | Description  |
|-----|--|
| 15  | <p>ADC Calibration Status</p> <p>This bit is set automatically in hardware to indicate an ADC calibration cycle has been completed. This bit is cleared after ADCMDE is written to.</p>  |
| 14  | <p>ADC Temperature Conversion Error</p> <p>This bit is set automatically in hardware to indicate that a temperature conversion over-range or under-range has occurred. The conversion result will be clamped to negative full-scale (under-range error) or positive full-scale (over-range error) in this case. This bit will be cleared when a valid (in-range) temperature conversion result is written to the ADC2DAT register.</p> |
| 13  | <p>ADC Voltage Conversion Error</p> <p>This bit is set automatically in hardware to indicate that a voltage conversion over-range or under-range has occurred. The conversion result will be clamped to negative full-scale (under-range error) or positive full-scale (over-range error) in this case. This bit will be cleared when a valid (in-range) voltage conversion result is written to the ADC1DAT register.</p>             |
| 12  | <p>ADC Current Conversion Error</p> <p>This bit is set automatically in hardware to indicate that an a current conversion over-range or under-range has occurred. The conversion result will be clamped to negative full-scale (under-range error) or positive full-scale (over-range error) in this case. This bit will be cleared when a valid (in-range) current conversion result is written to the ADC0DAT register.</p>          |
| 11  | <p>Not Used</p> <p>This bit is reserved for future functionality and should not be monitored by user code</p>  |
| 10  | <p>Not Used</p> <p>This bit is reserved for future functionality and should not be monitored by user code</p>  |
| 9   | <p>ADCFIFO Error Flag</p> <p>This bit is set to 1 automatically to indicate that the FIFO has overflowed. This bit does not cause an interrupt but is latched high and can only be cleared by disabling the FIFO or reconfiguring the ADC. This bit will read 0 is the FIFO is disabled or if the FIFO has not overflowed.</p>   |
| 8   | <p>ADC FIFO Empty Flag</p> <p>This bit is set to 1 automatically to indicate the ADC FIFO is empty. It is a flag bit only and cannot generate an interrupt. This bit reads 0 if the ADC FIFO is disabled.</p>  |
| 7   | <p>ADC FIFO Full Flag</p> <p>This bit is set to 1 automatically to indicate the ADC FIFO is full and any subsequent I and V ADC conversion results will overflow and corrupt the ADC FIFO. This bit is cleared by disabling the FIFO or reconfiguring the ADC.</p>   |
| 6   | <p>Accumulator Comparator Threshold Exceeded</p> <p>This bit indicates that the absolute value of the Current Channel Accumulator has exceeded the programmed threshold. This bit is cleared by disabling the Accumulator Comparator function in ADCCFG[6,5] or by reconfiguring the ADC.</p>  |
| 5   | <p>Not Used</p> <p>This bit is reserved for future functionality and should not be monitored by user code</p>  |

|   |   |
|---|---|
| 4 | <p>Current Channel ADC Comparator Threshold</p> <p>This bit is only valid if the Current Channel ADC comparator is enabled via the ADCCFG MMR. This bit is set by hardware if the absolute value of the I-ADC conversion result exceeds the value written in the ADC0TH MMR. If the ADC threshold counter is used (ADC0TCL), this bit is only set once the specified number of I-ADC conversions equals the value in the ADC0THV MMR.</p> |
| 3 | <p>Current Channel ADC Over-Range Bit</p> <p>If the Over-Range Detect function is enabled via the ADCCFG MMR, this bit is set by hardware if the I-ADC input is grossly (&gt;30% approx.) over-ranged. This bit is updated every 125usecs. Once set, this bit can only be cleared by software when ADCCFG[2] is cleared to disable the function, or the ADC gain is changed via the ADC0CON MMR.</p>                                      |
| 2 | <p>Temperature Conversion Result Ready Bit</p> <p>If the Temperature Channel ADC is enabled, this bit is set by hardware as soon as a valid temperature conversion result is written in the temperature data register (ADC2DAT MMR)<br/>This bit is cleared by reading either ADC2DAT or ADC0DAT.</p>   |
| 1 | <p>Voltage Conversion Result Ready Bit</p> <p>If the Voltage Channel ADC is enabled, this bit is set by hardware as soon as a valid voltage conversion result is written in the voltage data register (ADC1DAT MMR)<br/>This bit is cleared by reading either ADC1DAT or ADC0DAT.</p>   |
| 0 | <p>Current Conversion Result Ready Bit</p> <p>If the Current Channel ADC is enabled, this bit is set by hardware as soon as a valid current conversion result is written in the current data register (ADC0DAT MMR)<br/>This bit is cleared by reading ADC0DAT.</p>   |

**NOTES**

- All bits defined in the top 8 MSBs (bits 8–15) of the MMR are used as flags only and will not generate interrupts
- All bits defined in the lower 8 LSBs (bits 0-7) of this MMR are logic OR'ed to produce a single ADC interrupt to the MCU core.
- In response to an ADC interrupt, user code should interrogate the ADCSTA MMR to determine the source of the interrupt.
- Each ADC interrupt source can be individually masked via the ADCMSKI MMR described below
- All ADC Result Ready bits are cleared by a read of the ADC0DAT MMR. If the Current Channel ADC is not enabled, all ADC Result Ready bits are cleared by a read of the ADC1DAT or ADC2DAT MMRs.
- To ensure that I-ADC, V-ADC and T-ADC conversion data are synchronous, user code should first read the ADC2DAT/ADC1DAT MMRs and then ADC0DAT MMR.
- New ADC conversion results will not be written to the ADCxDAT MMRs unless the respective ADC Result Ready bits are first cleared. The only exception to this rule is data conversion result updates when the ARM core is powered down. In this modes ADCxDAT registers will always contain the most recent ADC conversion result even though the Ready bits have not been cleared.

**ADC Interrupt Mask Register :**

**Name :** ADCMSKI  
**Address :** 0xFFFF0504  
**Default Value :** 0x00  
**Access :** Read/Write

**Function :** This register allows the ADC interrupt sources to be enabled individually. The bit positions in this register are the same as the lower 8-bits in the ADCSTA MMR. If a bit is set by user code to a '1', the respective interrupt is enabled. By default all bits are '0' meaning all ADC interrupt sources are disabled.

**ADC Mode Register :**

**Name :** ADCMDE  
**Address :** 0xFFFF0508  
**Default Value :** 0x00  
**Access :** Read/Write

**Function :** The ADC Mode MMR is an 8-bit register that configures the mode .of operation of the ADC sub-system

Table 23 : ADCMDE MMR Bit Designations

| Bit | Description   |
|-----|---|
| 7   | Not Used<br>This bit is reserved for future functionality and be written as 0 by user code  |
| 6   | 20KΩ resistor select:<br>This bit is set to 1 to select the 20 KΩ resistor as shown in Figure 18<br>This bit is set to 0 to select the direct path to ground as shown in Figure 18 ( Default ).   |
| 5   | Low Power Mode Reference Select:<br>This bit is set to 1 to enable the Precision Voltage Reference in ADC Low Power Mode. This will increase current consumption.<br>This bit is set to 0 to enable the Low Power Voltage Reference in ADC Low Power Mode ( Default ).  |
| 4-3 | ADC Power Mode Configuration<br>0, 0 ADC Normal Mode<br>If enabled, the ADC will operate with normal current consumption yielding optimum electrical performance<br>0, 1 ADC Low Power Mode<br>If enabled, the I-ADC will operate with reduced current consumption. This limitation is current consumption is achieved, (at the expense of ADC noise performance) by fixing the gain to 128 and using the on-chip low power (131kHz) oscillator to drive the ADC circuits directly.<br>1, 0 ADC Low Power-Plus Mode<br>If enabled, the ADC will again operate with reduced current consumption. In this mode the gain is fixed to 512 and the current consumed is 200uA (approx.) more than ADC low Power Mode above. The additional current consumed also ensures ADC noise performance is better than that achieved in ADC Low Power Mode.<br>1, 1 Not Defined  |
| 2-0 | ADC Operation Mode Configuration<br>0, 0, 0 ADC Power-Down Mode<br>All ADC circuits (including internal reference) are powered-down<br>0, 0, 1 ADC Continuous Conversion Mode<br>In this mode, any enabled ADC will continuously convert.<br>0, 1, 0 ADC Single Conversion Mode<br>In this mode, any enabled ADC will perform a single conversion. The ADC will enter Idle Mode once the single shot conversion is complete. A single conversion will take 2/3 ADC clock cycles depending on the CHOP mode.<br>0, 1, 1 ADC IDLE Mode<br>In this Mode, the ADC is fully powered on but is held in RESET<br>1, 0, 0 ADC Self-Offset Calibration<br>In this mode, an offset calibration is performed on any enabled ADC using an internally generated 0V. The calibration is carried out at the user programmed ADC settings, therefore, as with a normal single ADC conversion, it will take 2/3 ADC conversion cycles before a fully settled calibration result is ready. The calibration result is automatically written to the ADCxOF MMR of the respective ADC. The ADC returns to IDLE Mode and the Calibration and Conversion Ready status bits are set at the end of an offset calibration cycle.<br>1, 0, 1 ADC Self Gain Calibration<br>In this mode, a gain calibration against an internal reference voltage is performed on all enabled ADCs. A gain calibration is a 2 stage process and takes twice the time of an offset calibration. The calibration result is automatically written to the ADCxGN MMR of the respective ADC. The ADC returns to IDLE Mode and the calibration and Conversion Ready status bits are set at the end of an gain calibration cycle. An ADC self gain calibration should only be carried out on the Current Channel ADC while pre-programmed, factory calibration coefficients (downloaded automatically from internal Flash) should be used for voltage temperature measurements. If an external NTC is used, an ADC Self Calibration should be done on the temperature channel. |

- 1, 1, 0 ADC System Zero-Scale Calibration  
In this mode, an zero-scale calibration is performed on enabled ADC channels against an external zero-scale voltage driven at the ADC input pins. The calibration is carried out at the user programmed ADC settings, therefore, as with a normal single ADC conversion, it will take 3 ADC conversion cycles before a fully settled calibration result is ready.
- 1, 1, 1 ADC System Full-Scale Calibration  
In this mode, an full-scale calibration is performed on enabled ADC channels against an external full-scale voltage driven at the ADC input pins.

**Current Channel ADC Control Register :**

**Name :** ADC0CON  
**Address :** 0xFFFF050C  
**Default Value :** 0x0002  
**Access :** Read/Write

**Function :** The Current Channel ADC Control MMR is an 16-bit register that is used to configure the I-ADC.  
**Note:** If the Current ADC is reconfigured via ADC0CON, the Voltage and Temperature ADCs are also reset.

Table 24 : ADC0CON MMR Bit Designations

| Bit    | Description  |
|--------|--|
| 15     | Current Channel ADC Enable<br>This bit is set to 1 by user code to enable the I-ADC<br>Clearing this bit to 0, powers down the I-ADC and resets the respective ADC READY bit in the ADCSTA MMR to 0  |
| 14, 13 | IIN Current Source Enable<br>0, 0 Current Sources Off<br>0, 1 Enable 50uA current source on IIN+<br>1, 0 Enable 50uA current source on IIN-<br>1, 1 Enable 50uA current source on both IIN- and IIN+<br>NOTE: These current sources have a tolerance of +-30%. A PGA gain equal to or greater than 2 ( ADC0CON [3-0] != 0000 ) must be used when current sources are enabled.  |
| 12– 10 | Not Used<br>These bits are reserved for future functionality and should be written as zero   |
| 9      | Current Channel ADC Output Coding<br>This bit is set to 1 by user code to configure I-ADC output coding as unipolar<br>This bit is cleared to 0 by user code to configure I-ADC output coding as 2's complement  |
| 8      | Not Used<br>This bit is reserved for future functionality and should be written as zero  |
| 7, 6   | Current Channel ADC Input Select<br>0, 0 IIN+, IIN-<br>0, 1 IIN-, IIN- Diagnostic, internal short configuration<br>1, 0 ADC Reference/136, 0V Diagnostic, test voltage for gain settings <= 128<br>ADC Reference/(1.0625XGain), 0V Diagnostic, test voltage for gain settings > 128<br>Note: If (REG_AVDD, AGND) divided by 2 Reference is selected, REG_AVDD is used for Vref in this mode. This will lead to ADC0DAT scaled by two<br>1, 1 Not Defined |
| 5, 4   | Current Channel ADC Reference Select<br>0, 0 Internal, 1.2V precision reference selected. In ADC Low Power Mode, the Voltage Reference selection is controlled by ADCMDE[5]<br>0, 1 External reference inputs (VREF, GND_SW) selected<br>1, 0 External reference inputs divided by 2 (VREF, GND_SW)/2 selected, this allows an external reference up to REG_AVDD<br>1, 1 (REG_AVDD, AGND) divided by 2 selected  |

|       |   |
|-------|---|
| 3 - 0 | Current Channel ADC Gain Select (note, nominal I-ADC Full-scale Input Voltage = (Vref/GAIN) |
|       | 0, 0, 0, 0 I-ADC Gain =1  |
|       | 0, 0, 0, 1 I-ADC Gain =2  |
|       | 0, 0, 1, 0 I-ADC Gain =4  |
|       | 0, 0, 1, 1 I-ADC Gain =8  |
|       | 0, 1, 0, 0 I-ADC Gain =16   |
|       | 0, 1, 0, 1 I-ADC Gain =32   |
|       | 0, 1, 1, 0 I-ADC Gain =64   |
|       | 0, 1, 1, 1 I-ADC Gain =128  |
|       | 1, 0, 0, 0 I-ADC Gain =256  |
|       | 1, 0, 0, 1 I-ADC Gain =512  |
|       | 1, x, x, x I-ADC Gain is undefined  |

**Voltage Channel ADC Control Register :**

**Name :** ADC1CON  
**Address :** 0xFFFF0510  
**Default Value :** 0x0000  
**Access :** Read/Write

**Function :** The Voltage Channel ADC Control MMR is an 16-bit register that is used to configure the V-ADC.

**Note:** When enabling/disabling the Voltage ADC, the Voltage Attenuator must also be enabled/disabled via HVCFG1[7].

Table 25 : ADC1CON MMR Bit Designations

| Bit    | Description   |
|--------|---|
| 15     | Voltage Channel ADC Enable<br><br>This bit is set to 1 by user code to enable the V-ADC. When enabling/disabling the Voltage ADC, the Voltage Attenuator must also be enabled/disabled via HVCFG1[7].<br>Clearing this bit to 0, powers down the V-ADC.   |
| 14– 10 | Not Used<br><br>These bits are reserved for future functionality and should not be modified by user code  |
| 9      | Voltage Channel ADC Output Coding<br><br>This bit is set to 1 by user code to configure V-ADC output coding as unipolar<br>This bit is cleared to 0 by user code to configure V-ADC output coding as 2's compliment   |
| 8      | Not Used<br><br>This bit is reserved for future functionality and should be written as 0 by user code   |
| 7, 6   | Voltage Channel ADC Input Select<br><br>0, 0 VBAT/24, AGND VBAT attenuator selected<br>0, 1 Not Defined<br>1, 0 Not Defined<br>1, 1 Internal Short Shorted Input  |
| 5, 4   | Voltage Channel ADC Reference Select<br><br>0, 0 Internal, 1.2V precision reference selected.<br>0, 1 External reference inputs (VREF, GND_SW) selected.<br>1, 0 External reference inputs divided by 2 (VREF, GND_SW)/2 selected. This allows an external reference up to REG_AVDD<br>1, 1 (REG_AVDD, AGND) divided by 2 selected. |
| 3 – 0  | Not Used<br><br>These bits are reserved for future functionality and should be written as 0 by user code  |

**Temperature Channel ADC Control Register :**

**Name :** ADC2CON  
**Address :** 0xFFFF0514  
**Default Value :** 0x0000  
**Access :** Read/Write

**Function :** The Temperature Channel ADC Control MMR is an 16-bit register that is used to configure the T-ADC.

**Note:** The Temperature channel is calibrated to read 0x0000 at 0°K.  
 The temperature gradient is then 16 codes per degree Celsius

Table 26 : ADC2CON MMR Bit Designations

| Bit    | Description  |
|--------|--|
| 15     | Temperature Channel ADC Enable<br>This bit is set to 1 by user code to enable the T-ADC<br>Clearing this bit to 0, powers down the T-ADC   |
| 14, 13 | VTEMP Current Source Enable<br>0, 0 Current Sources Off<br>0, 1 Enable 50uA current source on VTEMP+<br>1, 0 Enable 50uA current source on GND_SW<br>1, 1 Enable 50uA current source on both VTEMP+ and GND_SW<br>NOTE: These current sources have a tolerance of +-30%.   |
| 12– 10 | Not Used<br>These bits are reserved for future functionality and should not be modified by user code   |
| 9      | Temperature Channel ADC Output Coding<br>This bit is set to 1 by user code to configure T-ADC output coding as unipolar<br>This bit is cleared to 0 by user code to configure T-ADC output coding as 2's compliment  |
| 8      | Not Used<br>This bit is reserved for future functionality and should be written 0 by user code   |
| 7, 6   | Temperature Channel ADC Input Select<br>0, 0 Internal Temperature Sensor<br>The Temperature gradient is 0.5mV/°C. This is only applicable to the Internal Temperature Sensor<br>0, 1 External ( VTEMP, GND_SW)<br>1, 0 Shorted Input ( GND_SW, GND_SW)<br>1, 1 ADC Reference/136   |
| 5, 4   | Temperature Channel ADC Reference Select<br>0, 0 Internal, 1.2V precision reference selected.<br>0, 1 External reference inputs (VREF, GND_SW) selected.<br>1, 0 External reference inputs divided by 2 (VREF, GND_SW)/2 selected. This allows an external reference up to REG_AVDD<br>1, 1 (REG_AVDD, GND_SW) divided by 2 selected. Used for external temperature sensor measurements. |
| 3 – 0  | Not Used<br>This bit is reserved for future functionality and should be written 0 by user code   |

**ADC Filter Register :**

**Name :** ADCFLT  
**Address :** 0xFFFF0518  
**Default Value :** 0x0007  
**Access :** Read/Write

**Function :** The ADC Filter MMR is an 16-bit register that controls the speed and resolution of the on-chip ADCs.

**Note:** If ADCFLT is modified, the Current, Voltage and Temperature ADCs are reset. An additional time of 60us per enabled ADC is required before the first ADC result is available.

Table 27 : ADCFLT MMR Bit Designations

| Bit    | Description   |
|--------|---|
| 15     | <p>Chop enable<br/>                     Set by user to enable system chopping of all active ADCs. When this bit is set the ADC will have very low offset errors and drift but the ADC output rate will be reduced by a factor of 3 if AF=0 (see Sinc3 Decimation Factor bits below). If AF ≠ 0, then ADC output update rate will be the same with chop on or off. When chop is enabled, the settling time is 2 output periods.<br/>                     Note: Should only be used with SF &gt; 1</p>  |
| 14     | <p>Running Average<br/>                     Set by user to enable a running average by 2 function reducing ADC noise. This function is automatically enabled when chopping is active. It is an optional feature when chopping is inactive and if enabled (when chopping is inactive) does not reduce ADC output rate but will increase the settling time by 1 conversion period.<br/>                     Cleared by user to disable the running average function.</p>  |
| 13 - 8 | <p>Averaging Factor ( AF )<br/>                     The value written to these bits is use to implement a programmable 1<sup>st</sup> order Sinc post filter. The averaging factor can further reduce ADC noise at the expense of output rate as described in Sinc Decimation Factor bits below.</p>  |
| 7      | <p>Sinc3 Modify<br/>                     Set by user to modify the standard Sinc3 frequency response to increase the filter stopband rejection by 5dBs approx. This is achieved by inserting a second notch (NOTCH2) at <math>F_{NOTCH2} = 1.333 * F_{NOTCH}</math> where <math>F_{NOTCH}</math> is the location of the 1<sup>st</sup> notch in the response.</p>   |
| 6 – 0  | <p>Sinc3 Decimation Factor (SF)<br/>                     The value (SF) written in these bits controls the over sampling (decimation factor) of the Sinc3 filter. The output rate from the Sinc3 filter is given by<br/> <math>F_{ADC} = ( 512,000 / ( [SF+1] X 64 ))</math> Hz when the CHOP bit (bit#15 above) = 0 and AF=0 (note AF = Averaging Factor)<br/>                     Note : this is valid for all SF values &lt;= 125<br/>                     For SF= 126, <math>F_{ADC}</math> is forced to 60Hz<br/>                     For SF= 127, <math>F_{ADC}</math> is forced to 50Hz<br/>                     For information on calculating the <math>F_{ADC}</math> for SF ( other than 126 and 127 ) and AF values please refer to Table 28.</p> <p>Note:<br/>                     - Due to limitations on the digital filter internal data-path, there are some limitations on the combinations of SF(Sinc3 Decimation Factor) and AF(Averaging Factor) that can be used to generate a required ADC output rate. This restriction limits the minimum ADC update in Normal Power Mode to 4Hz or 1Hz in Low Power Mode. If all three ADCs are enabled, then the minimum value of SF written by user code must be 1<br/>                     - In low power mode and low power-plus mode, the ADC is driven directly by the low power oscillator (131KHz) and not 512KHz. All <math>F_{ADC}</math> calculations should be divided by 4 (approx).<br/>                     - For optimal ADC performance, SF should be increased before AF is used.</p> |

Table 28 : ADC Conversion Rates and Settling Times

| Chop Enabled | Running Average | Averaging Factor | $F_{ADC}$   | $*T_{Settling}$     |
|--------------|-----------------|------------------|---|---------------------|
| No           | No              | No               | $\frac{512000}{[SF + 1] * 64}$                      | $\frac{3}{F_{ADC}}$ |
| No           | No              | Yes              | $\frac{512000}{[SF + 1] * 64 * [3 + AF]}$           | $\frac{1}{F_{ADC}}$ |
| No           | Yes             | No               | $\frac{512000}{[SF + 1] * 64}$                      | $\frac{4}{F_{ADC}}$ |
| No           | Yes             | Yes              | $\frac{512000}{[SF + 1] * 64 * [3 + AF]}$           | $\frac{2}{F_{ADC}}$ |
| Yes          | N/A             | N/A              | $\frac{512000}{(SF+1) \times 64 \times (AF+3) + 3}$ | $\frac{2}{F_{ADC}}$ |

\*An additional time of 60us per enabled ADC is required before the first ADC result is available.

Table 29 : Allowable Combinations of SF and AF

| <b>AF Range</b><br><b>SF</b> | <b>0</b> | <b>1 to 7</b> | <b>8 to 63</b> |
|------------------------------|----------|---------------|----------------|
| <b>0-31</b>                  | ✓        | ✓             | ✓              |
| <b>32-63</b>                 | ✓        | ✓             | ✗              |
| <b>64-127</b>                | ✓        | ✗             | ✗              |



**ADC Configuration Register :**

**Name :** ADCCFG  
**Address :** 0xFFFF051C  
**Default Value :** 0x00  
**Access :** Read/Write

**Function :** The 8-bit ADC Configuration MMR controls extended functionality related to the on-chip ADCs.

Table 30: ADCCFG MMR Bit Designations

| Bit  | Description  |
|------|--|
| 7    | <p>Analog Ground Switch Enable</p> <p>This bit is set to '1' by user software to connect the external 'GND_SW' pin (pin#15) to an internal analog ground reference point. This bit can be used to connect and disconnect external circuits and components to ground under program control and thereby minimize dc current consumption when the external circuit or component is not being used. This bit is used in conjunction with ADCMDE[6] to select a 20KΩ resistor to ground.</p>  |
| 6, 5 | <p>Current Channel (32-bit) Accumulator Enable</p> <p>0, 0 Accumulator Disabled and reset to 0<br/>                     0, 1 Accumulator Active<br/>                     Positive current values are added to accumulator total, accumulator can overflow if allowed run for &gt; 65535 conversions<br/>                     Negative current values are subtracted from accumulator total, accumulator is clamped to a minimum value of 0<br/>                     1, 0 Accumulator Active<br/>                     Positive current values are added to accumulator total, accumulator can overflow if allowed run for &gt; 65535 conversions<br/>                     The absolute values of Negative current are subtracted from accumulator total, accumulator in this mode will continue to accumulate negatively, below 0<br/>                     1, 1 Accumulator and Accumulator Comparator Enabled<br/>                     This mode is the same as Mode  1,0 , but with the Accumulator Comparator enabled.</p> |
| 4, 3 | <p>Current Channel ADC Comparator Enable</p> <p>0, 0 Comparator Disabled<br/>                     0, 1 Comparator Active, Interrupt asserted if absolute value of I-ADC conversion result     &gt;= ADC0TH<br/>                     1, 0 Comparator-Count Mode Active, Interrupt asserted if absolute value of an I-ADC conversion result     &gt;= ADC0TH for #ADC0TCL conversions. A conversion value     &lt; ADC0TH will reset the threshold counter value (ADC0THV) to 0<br/>                     1, 1 Comparator-Count Mode Active, Interrupt asserted if absolute value of an I-ADC conversion result     &gt;= ADC0TH for #ADC0TCL conversions. A conversion value     &lt; ADC0TH will decrement the threshold counter value (ADC0THV) towards 0.</p>   |
| 2    | <p>Current Channel ADC OverRange Enable</p> <p>Set by user to enable a 'coarse' comparator on the Current Channel ADC. If the current reading is grossly (&gt;30% approx.) over-ranged for the active gain setting, then the over range bit in the ADCSTA MMR is set. The current must be outside this range for greater than 125usecs for the flag to be set.<br/>                     This feature should not be used in ADC Low Power Mode</p>  |
| 1    | <p>ADC FIFO Enable</p> <p>This bit is set to 1 by user code to enable ADC FIFO on Current and Voltage ADC Channels. The FIFO function allows up to 32 current and voltage ADC results to be stored in an on-chip FIFO. The current status of the FIFO is reflected by 3 bits in the ADCSTA register.<br/>                     If more than 32 results are stored in the FIFO, the contents of the FIFO may be corrupted.</p>   |
| 0    | <p>Current Channel ADC, Result Counter Enable</p> <p>Set by user to enable the result count mode. In this mode an I-ADC interrupt will only be generated when ADC0RCV=ADC0RCL. This allows the I-ADC to continuously monitor current but only interrupt the MCU core after a defined number of conversions. It should be noted that unless the ADC FIFO is enabled (ADCCNG[1]=1), only the last conversion value will be available (intermediate I-ADC conversion results are not stored) when the ADC counter interrupt occurs. The Voltage and Temperature ADCs will also continue to convert if enabled but again only the last conversion result will be available (intermediate V/T-ADC conversion results are not stored) when the ADC counter interrupt occurs</p>  |

**Current Channel ADC Data Register :**

**Name :** ADC0DAT  
**Address :** 0xFFFF0520  
**Default Value :** 0x0000  
**Access :** Read Only

**Function :** This ADC Data MMR holds the 16-bit conversion result from the I-ADC. The ADC will not update this MMR if the ADC0 Conversion Result READY bit (ADCSTA[0]) is set. A read of this MMR by the MCU clears all asserted READY flags (ADCSTA[2:0]).

**Voltage Channel Data Register:**

**Name :** ADC1DAT  
**Address :** 0xFFFF0524  
**Default Value :** 0x0000  
**Access :** Read Only

**Function :** This ADC Data MMR holds the 16-bit conversion result from the V-ADC. The ADC will not update this MMR if the Voltage Conversion Result READY bit (ADCSTA[1]) is set. If I-ADC is not active, a read of this MMR by the MCU clears all asserted READY flags (ADCSTA[2:1]).

**Temperature Channel ADC Data Register :**

**Name :** ADC2DAT  
**Address :** 0xFFFF0528  
**Default Value :** 0x0000  
**Access :** Read Only

**Function :** This ADC Data MMR holds the 16-bit conversion result from the T-ADC. The ADC will not update this MMR if the Temperature Conversion Result READY bit (ADCSTA[2]) is set.

**ADC FIFO Register :**

**Name :** ADCFIFO  
**Address :** 0xFFFF052C  
**Default Value :** 0x0000  
**Access :** Read Only

**Function :** This 32-bit, read-only register returns the value of I-ADC and V-ADC conversion result held in the FIFO location currently pointed to by the FIFO read pointer. The low 16 bits [15-0] of this 32-bit word are the I-ADC result and the high 16-bits [31-16] are the V-ADC result. The FIFO function is enabled via the ADCCFG[1] bit and 3 flags available in the ADCSTA register allow user code monitor and read the FIFO contents.

**Current Channel ADC Offset Calibration Register :**

**Name :** ADC0OF  
**Address :** 0xFFFF0530  
**Default Value :** Part Specific, factory programmed  
**Access :** Read/Write

**Function :** This ADC Offset MMR holds a 16-bit offset calibration coefficient for the I-ADC. The register is configured at power-on with a factory default value. However, this register will be automatically overwritten if an offset calibration of the I-ADC is initiated by the user via bits in the ADCMDE MMR. User code can only write to this calibration register if the ADC is in idle mode. An ADC must be enabled and in idle mode before written to any Offset or Gain Register. A delay of 23us should be included before ADCMDE is modified.

**Voltage Channel Offset Calibration Register :**

**Name :** ADC1OF  
**Address :** 0xFFFF0534  
**Default Value :** Part Specific, factory programmed  
**Access :** Read/Write

**Function :** This Offset MMR holds a 16-bit offset calibration coefficient for the voltage channel. The register is configured at power-on with a factory default value. However, this register will be automatically overwritten if an offset calibration of the voltage channel is initiated by the user via bits in the ADCMDE MMR. User code can only write to this calibration register if the ADC is in idle mode. An ADC must be enabled and in idle mode before written to any Offset or Gain Register. A delay of 23us should be included before ADCMDE is modified.

**Temperature Channel Offset Calibration Register:**

**Name :** ADC2OF  
**Address :** 0xFFFF0538  
**Default Value :** Part Specific, factory programmed  
**Access :** Read/Write

**Function :** This ADC Offset MMR holds a 16-bit offset calibration coefficient for the temperature channel. The register is configured at power-on with a factory default value. However, this register will be automatically overwritten if an offset calibration of the temperature channel is initiated by the user via bits in the ADCMDE MMR. User code can only write to this calibration register if the ADC is in idle mode. An ADC must be enabled and in idle mode before written to any Offset or Gain Register. A delay of 23us should be included before ADCMDE is modified.

**Current Channel ADC Gain Calibration Register :**

**Name :** ADC0GN  
**Address :** 0xFFFF053C  
**Default Value :** Part Specific, factory programmed  
**Access :** Read/Write

**Function :** This Gain MMR holds a 16-bit gain calibration coefficient for scaling the I-ADC conversion result. The register is configured at power-on with a factory default value. However, this register will be automatically overwritten if a gain calibration of the I-ADC is initiated by the user via bits in the ADCMDE MMR. User code can only write to this calibration register if the ADC is in idle mode. An ADC must be enabled and in idle mode before written to any Offset or Gain Register. A delay of 23us should be included before ADCMDE is modified.

**Voltage Channel Gain Calibration Register :**

**Name :** ADC1GN  
**Address :** 0xFFFF0540  
**Default Value :** Part Specific, factory programmed  
**Access :** Read/Write

**Function :** This Gain MMR holds a 16-bit gain calibration coefficient for scaling a voltage channel conversion result. The register is configured at power-on with a factory default value. However, this register will be automatically overwritten if a gain calibration of the voltage channel is initiated by the user via bits in the ADCMDE MMR. User code can only write to this calibration register if the ADC is in idle mode. An ADC must be enabled and in idle mode before written to any Offset or Gain Register. A delay of 23us should be included before ADCMDE is modified.

**Temperature Channel Gain Calibration Register :**

**Name :** ADC2GN  
**Address :** 0xFFFF0544  
**Default Value :** Part Specific, factory programmed  
**Access :** Read/Write

**Function :** This Gain MMR holds a 16-bit gain calibration coefficient for scaling a temperature channel conversion result. The register is configured at power-on with a factory default value. However, this register will be automatically overwritten if a gain calibration of the temperature channel is initiated by the user via bits in the ADCMDE MMR. User code can only write to this calibration register if the ADC is in idle mode. An ADC must be enabled and in idle mode before written to any Offset or Gain Register. A delay of 23us should be included before ADCMDE is modified.

**Current Channel ADC Result Counter Limit Register:**

**Name :** ADC0RCL  
**Address :** 0xFFFF0548  
**Default Value :** 0x0001  
**Access :** Read/Write

**Function :** This 16-bit MMR sets the number of conversions required before an ADC interrupt is generated. By default this register is set to 0x01. The ADC counter function must be enabled via the ADC Result Counter Enable bit in the ADCCFG MMR.

**Current Channel ADC Result Count Register:**

**Name :** ADC0RCV  
**Address :** 0xFFFF054C  
**Default Value :** 0x0000  
**Access :** Read Only

**Function :** This 16-bit, Read Only MMR holds the current number of I-ADC conversion results. It is used in conjunction with ADC0RCL to mask I-ADC interrupts, generating a lower interrupt rate. Once ADC0RCV=ADC0RCL, the value is ADC0RCV resets to 0 and recommences counting. It can also be used in conjunction with the Accumulator (ADC0ACC) to allow an average current calculation to be undertaken. The result counter is enabled via ADCCFG[0]. This MMR is also reset to 0 when the I-ADC is reconfigured i.e. when the ADC0CON or ADCMDE are written.

**Current Channel ADC Threshold Register:**

**Name :** ADC0TH  
**Address :** 0xFFFF0550  
**Default Value :** 0x0000  
**Access :** Read/Write

**Function :** This 16-bit MMR sets the threshold against which the absolute value of the I-ADC conversion result is compared. In Unipolar mode ADC0TH [15:0] are compared and in 2's compliment mode ADC0TH[14:0] are compared.

**Current Channel ADC Threshold Count Limit Register:**

**Name :** ADC0TCL  
**Address :** 0xFFFF0554  
**Default Value :** 0x01  
**Access :** Read/Write

**Function :** This 8-bit MMR determines how many cumulative(given values below the threshold will decrement or reset the count to 0) I-ADC conversion result readings above ADC0TH must occur before the I-ADC Comparator Threshold

bit is set in the ADCSTA MMR generating an ADC interrupt. The I-ADC Comparator Threshold bit is asserted as soon as the  $ADC0THV=ADC0TCL$ .

### Current Channel ADC Threshold Count Register:

**Name :** ADC0THV  
**Address :** 0xFFFF0558  
**Default Value :** 0x00  
**Access :** Read Only

**Function :** This 8-bit MMR is incremented every time the absolute value of an I-ADC conversion result  $|I| \geq ADC0TH$ . This register is decremented or reset to 0 every time the absolute value of an I-ADC conversion result  $|I| < ADC0TH$ . The configuration of this function is enabled via the Current Channel ADC Comparator bits in the ADCCFG MMR

### Current Channel ADC Accumulator Register:

**Name :** ADC0ACC  
**Address :** 0xFFFF055C  
**Default Value :** 0x00000000  
**Access :** Read Only

**Function :** This 32-bit MMR holds the current accumulator value. The I-ADC READY bit in the ADCSTA MMR should be used to determine when it is safe to read this MMR. The MMR value is reset to 0 by disabling the accumulator in the ADCCFG MMR or reconfiguring the Current Channel ADC.

### Current Channel ADC Accumulator Threshold Register:

**Name :** ADC0ATH  
**Address :** 0xFFFF0560  
**Default Value :** 0x00000000  
**Access :** Read/Write

**Function :** This 32-bit MMR sets the threshold against which the accumulated value of the I-ADC results is compared. In Unipolar mode  $ADC0TH [15:0]$  are compared and in 2's compliment mode  $ADC0TH[14:0]$  are compared.

### Low Power Voltage Reference Scaling Factor

**Name :** ADCREF  
**Address :** 0xFFFF057C  
**Default Value :** Part Specific, factory programmed  
**Access :** Read

**Function :** This allows user code to correct for the initial error of the LPM reference. The default value of 0x8000 corresponds to no error when compared to the Normal Mode Reference.

If the LPM Voltage Reference is 1% below 1.200V, then the value of ADCREF will be approximately 0x7EB9

If the LPM Voltage Reference is 1% above 1.200V, then the value of ADCREF will be approximately 0x8147

## ADC POWER MODES OF OPERATION

The ADCs can be configured into various reduced or full 'power' modes of operation by configuring ADCMDE[4:3] as appropriate. The ARM7 MCU can itself also be configured in Low Power modes of operation (POWCON[5:3]). The core power modes are independently controlled and are not related to the ADC power modes described here. The ADC power modes of operation are described in more detail below.

Every I-ADC result can also be compared to a pre-set threshold level ( $ADC0TH$ ) as configured via  $ADCCFG[4:3]$ . An MCU interrupt is generated if the absolute (sign-independent) value of the ADC result is greater than the pre-programmed comparator threshold level. An extended function of this comparator function allows user code to configure a threshold counter ( $ADC0THV$ ) which monitors the number of I-ADC results that have occurred above or below the pre-set threshold level. Again an ADC interrupt is generated once the threshold counter reaches a pre-set value ( $ADC0TCL$ ).

Finally, a 32-bit accumulator ( $ADC0ACC$ ) function can be configured ( $ADCCFG[6:5]$ ) allowing the I-ADC to add (or subtract) multiple I-ADC sample results. User code can read the accumulated value directly (via  $ADC0ACC$ ) without any further software processing.

### ADC Startup Procedure

Prior to beginning converting, the following procedure should be followed.

1. Configure the Current ADC,  $ADC0$ , into Low-Power-Mode ( $ADC0CON = 0x8007$ ;  $ADCMDE = 0x09$ )
2. Delay for 200us.
3. Switch the Current ADC,  $ADC0$ , into Idle-Mode ( $ADCMDE = 0x03$ ), keeping  $ADC0CON$  unchanged. If the Voltage or Temperature channels are to be used, they should be enabled here.
4. Delay for 1ms
5. Switch  $ADCMDE$  to desired mode, e.g.  $ADC0CON = 0x1$ .

**ADC Normal Power Mode**

In Normal Mode, the Current and Voltage/Temperature channels are fully enabled. The ADC modulator clock is 512KHz and enables the ADCs to provide regular conversion results at a rate of between 4Hz and 8KHz (see ADCFLT). Both channels are under full control of the MCU and can be reconfigured at any time. The default ADC update rate for all channels in this mode is 1.0kHz

It is worth emphasizing that I-ADC and V/T-ADC channels can be configured to initiate periodic, normal power mode, high accuracy, single conversion cycles before returning to ADC full power-down mode. This flexibility is facilitated under full MCU control via the ADCMDE MMR and ensures that continuous periodic monitoring of battery current, voltage and temperature settings is feasible while ensuring the average dc current consumption is minimized.

In ADC Normal Mode, the PLL must not be powered down.

**ADC Low Power Mode**

In ADC Low Power mode, the I-ADC is enabled in a reduced power and reduced accuracy configuration. The ADC modulator clock is now driven directly from the on-chip 131KHz low power oscillator, which allows the ADC to be configured at update rates as low as 1Hz(ADCFLT). The gain of the ADC in this mode is fixed at 128.

All of the ADC peripheral functions (result counter, digital comparator and accumulator) described earlier in normal power mode can still be enabled in low power mode.

Typically, in Low Power Mode, the I-ADC only, is configured to run at a low update rate, continuously monitoring battery current. The MCU will be in power-down mode and will only be woken up when the I-ADC interrupts the MCU. This would happen after the I-ADC detects a current conversion or an accumulated current value has risen beyond a pre-programmed threshold, set-point or a set number of conversions.

It is also possible to select either the ADC Normal Mode Voltage Reference of the ADC Low Power Mode Voltage Reference via ADCMDE[5].

**ADC Low Power-Plus Mode**

In Low Power-Plus mode, the I-ADC channel is enabled in a mode almost identical to low-power mode(ADCMDE[4:3]). However, in this mode, the I-ADC gain is fixed at 512 and the ADC consumes an additional 200uA (approx.) to yield improved noise performance relative to the low-power mode setting.

Again, all of the ADC peripheral functions (result counter,

digital comparator and accumulator) described earlier in normal power mode can still be enabled in Low Power-Plus mode.

As in Low Power Mode, the I-ADC only, is configured to run at a low update rate, continuously monitoring battery current. The MCU will be in power-down mode and will only be woken up when the I-ADC interrupts the MCU. This would happen after the I-ADC detects a current conversion result or an accumulated current value has risen beyond a pre-programmed threshold or set-point.

It is also possible to select either the ADC Normal Mode Voltage Reference of the ADC Low Power Mode Voltage Reference via ADCMDE[5].

**ADC Sinc3 Digital Filter Response**

The overall frequency response on all ADuC7032s ADCs is dominated by the low pass filter response of the on-chip Sinc3 digital filters. The Sinc3 filters are used to decimate the ADC sigma-delta modulator output data bit-stream to generate a valid 16-bit data result. The digital filter response is identical for all ADCs and is configured via the 16-bit ADC Filter (ADCFLT) register which determines the overall throughput rate of the ADCs. The noise resolution of the ADCs is determined by the programmed ADC throughput rate. In the case of the Current Channel ADC, the noise resolution will be determined by throughput rate and selected gain.

The overall frequency response and the ADC through-put is dominated by the configuration of the Sinc3 Filter Decimation Factor (SF) bits (ADCFLT[6:0]) and the Averaging Factor (AF) bits(ADCFLT[13:8]). Due to limitations on the digital filter internal data-path, there are some limitations on the allowable combinations of SF(Sinc3 Decimation Factor) and AF(Averaging Factor) that can be used to generate a required ADC output rate. This restriction limits the minimum ADC update in Normal Power Mode to 4Hz or 1Hz in Low Power Mode. The calculation of the ADC through-put rate is detailed in the ADCFLT bit designations table and the restrictions on allowable combinations of AF and SF values are outlined again in Table 31

Table 31 : Allowable Combinations of SF and AF

| AF Range \ SF | 0 | 1 to 7 | 8-63 |
|---------------|---|--------|------|
| <= 31         | ✓ | ✓      | ✓    |
| 63            | ✓ | ✓      | ✗    |
| 127           | ✓ | ✗      | ✗    |

By default the ADCFLT = 0x07 which configures the ADCs for a through-put of 1.0KHz with all other filtering options (Chop, Running Average, Averaging Factor and Sinc3 Modify) being disabled. A typical filter response based on this default configuration is shown in Figure 19 below.

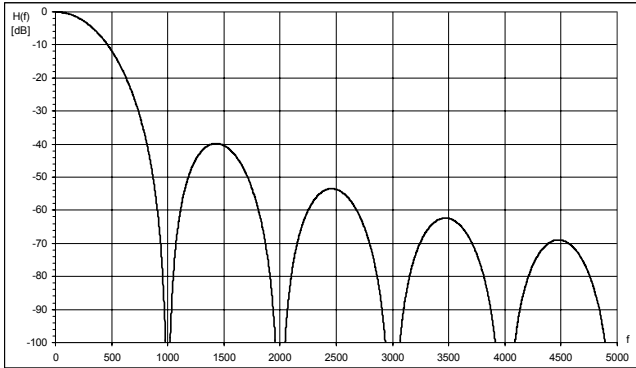


Figure 19 : Typical Digital Filter Response at FADC=1.0kHz (ADCFLT = 0x0007)

An additional ‘Sinc3 Modify’ bit (ADCFLT[7]) is also available in the ADCFLT register. This bit is set by user code to modify the standard Sinc3 frequency response increasing the filter stop-band rejection by 5dBs approx. This is achieved by inserting a second notch (NOTCH2) at  $FNOTCH2 = 1.333 \times FNOTCH$  where FNOTCH is the location of the 1st notch in the response. There is a slight increase in ADC noise if this bit is active. Figure 20 shows the modified 1KHz filter response when the Sinc3 modify bit is active. The ‘new’ notch is clearly visible at 1.33KHz as is the improvement in stop-band rejection when compared to the standard 1KHz response above.

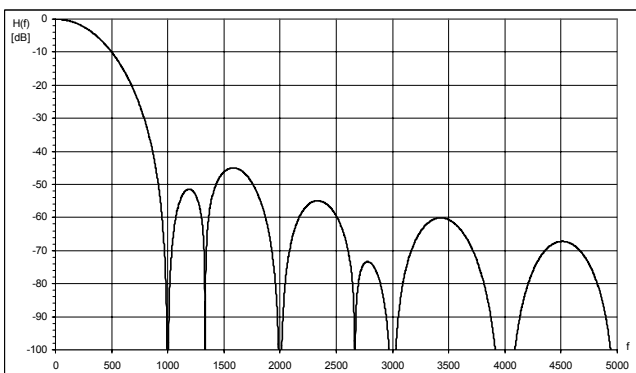


Figure 20 : ModifiedSinc3 Digital Filter Response at FADC=1.0kHz (ADCFLT = 0x0087)

In ADC Normal Power Mode, the maximum ADC through-put rate is 8KHz which is configured by setting the SF and AF bits in the ADCFLT MMR to 0, with all other filtering options disabled. This results in 0x0000 written to ADCFLT and a typical 8KHz filter response based on these settings is shown below in Figure 21.

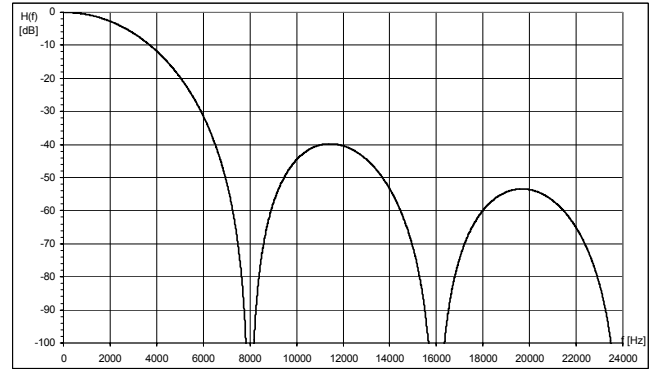


Figure 21 : Typical Digital Filter Response at FADC=8KHz, (ADCFLT = 0x0000)

A modified version of the 8KHz filter response can be configured by setting the ‘Running Average’ bit (ADCFLT[14]). This has the effect of introducing an additional running average by 2 filter on all ADC output samples. This further reduces the ADC output noise and while maintaining an 8KHz ADC through-put rate the ADC settling time is increased by 1 full conversion period. The modified frequency response for this configuration is shown below in Figure 22.

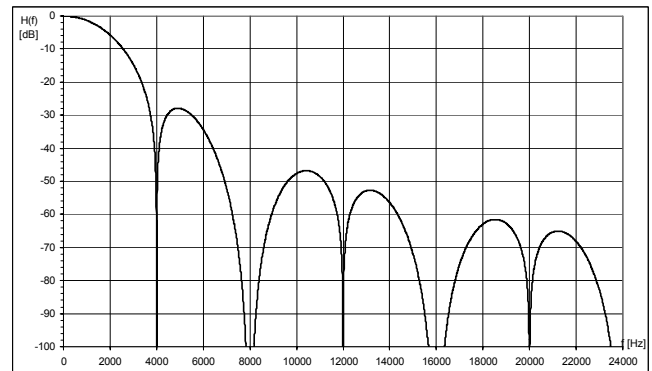


Figure 22 : Typical Digital Filter Response at FADC=8KHz, (ADCFLT = 0x4000)

At very low throughput rates, the chop bit in the ADCFLT register can be enabled to minimize offset errors and more importantly and temperature drift in the ADC DC errors. With Chop enabled, there are again 2 primary variables (Sinc3 decimation factor and averaging factor) available to allow the user select an optimum filter response trading off filter bandwidth against ADC noise.

For example, with the CHOP bit ADCFLT[15] set to 1, increasing the SF value (ADCFLT[6:0]) to 0x1F (31dec) and selecting an AF value (ADCFLT[13:8]) of 0x16 (22dec) results in an ADC through-put of 10Hz. The frequency response in this case is shown in Figure 23.

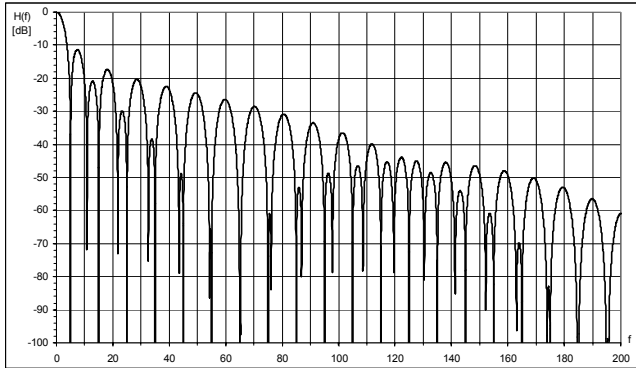


Figure 23 Typical Digital Filter Response at FADC=8KHz, (ADCFLT = 0x961F)

Changing SF to 0x1D and setting AF to 0x3F, again with the Chop bit enabled, configures the ADC into its minimum through-put rate in Normal Mode of 4Hz. The digital filter frequency response with this configuration is shown below in Figure 24.

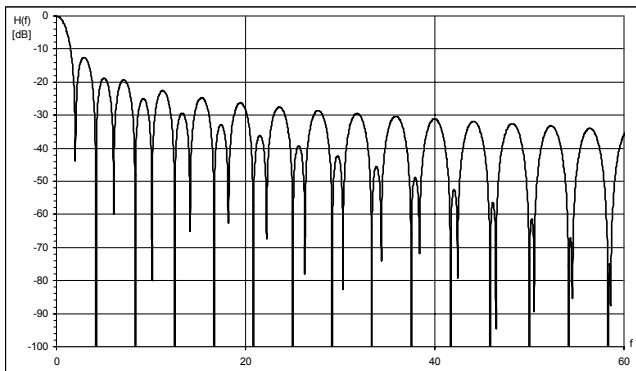


Figure 24 : Typical Digital Filter Response at FADC=4Hz, (ADCFLT = 0xBF1D)

In ADC Low Power Mode, the ADC, Sigma-Delta modulator clock no longer driven at 512KHz but is driven directly from the on-chip low power (131KHz) oscillator. Subsequently, for the same ADCFLT configurations in Normal Mode, all filter values should be scaled by a factor of approximately 4. This means that is possible to configure the ADC for 1Hz through-put is Low Power Mode. The filter frequency response for this configuration is shown below in Figure 25.

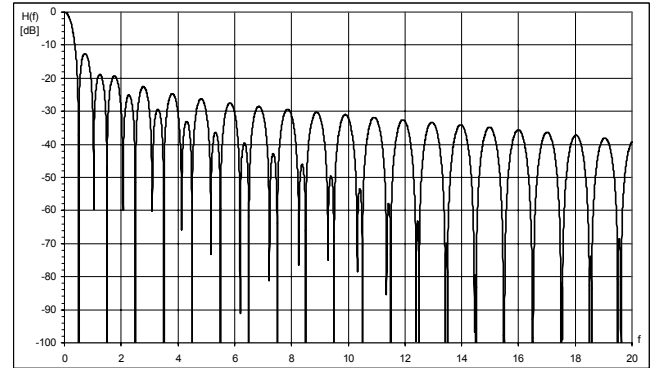


Figure 25 : Typical Digital Filter Response at FADC=1Hz, (ADCFLT = 0xBD1F)

In general, it should be noted that it is possible to program different values of SF and AF in the ADCFLT register and achieve the same ADC update rate. In practical terms the trade-off with any value of ADCFLT will be frequency response versus ADC noise. For optimum filter response and ADC noise when using combinations of SF and AF, a good rule of thumb to use would be to first choose an SF in the range of 16 – 40 (dec) or 0x10 to 0x28 and then increase the AF value to achieve the required ADC through-put. Table 32 shows some common ADCFLT configurations.

Table 32 : Common ADCFLT Configurations

| ADC Mode  | SF   | AF   | Other Config    | ADCFLT | F <sub>ADC</sub> | T <sub>SETTLE</sub> |
|-----------|------|------|-----------------|--------|------------------|---------------------|
| Normal    | 0x1D | 0x3F | Chop On         | 0xBF1D | <b>4Hz</b>       | 0.5secs             |
| Normal    | 0x1F | 0x16 | Chop On         | 0x961F | <b>10Hz</b>      | 0.2secs             |
| Normal    | 0x07 | 0x00 | None            | 0x0007 | <b>1KHz</b>      | 3msecs              |
| Normal    | 0x07 | 0x00 | Sinc 3 Modify   | 0x0087 | <b>1KHz</b>      | 3msec               |
| Normal    | 0x03 | 0x00 | Running Average | 0x4003 | <b>2KHz</b>      | 2msec               |
| Normal    | 0x00 | 0x01 | Running Average | 0x4000 | <b>8KHz</b>      | 0.5ms               |
| Low Power | 0x10 | 0x03 | Chop On         | 0x8310 | <b>20Hz</b>      | 100ms               |
| Low Power | 0x10 | 0x09 | Chop On         | 0x8910 | <b>10Hz</b>      | 200ms               |
| Low Power | 0x1F | 0x3D | Chop On         | 0xBD1F | <b>1Hz</b>       | 2sec                |

## ADC Calibration

As described in detail in the top level diagrams at the start of this section, the signal flow through all ADC Channels can be described in simple terms as:

- An Input-voltage is applied through an input buffer (and PGA in the case of the I-ADC) to the Sigma-Delta Modulator.
- The Modulator-output is applied to a programmable Digital Decimation Filter
- The filter output result is then averaged if chopping is used.
- An Offset value (ADCxOF) is subtracted from the result.
- This result is scaled by a Gain value (ADCxGN).
- Finally, the result is formatted as
  - 2's Complement. / Offset-Binary,
  - Rounded to 16-Bit
  - Clamped to +/-Full-Scale

Each ADC has a specific Offset and Gain correction or Calibration coefficient associated with it that are stored in MMR based Offset and Gain registers(ADCxOF and ADCxGN). The offset and gain registers can be used to remove offsets and gain errors arising within the part as well as System-level offset and gain errors external to the part.

These registers are configured at power-on with a factory programmed calibration value. These factory calibration values will vary from part to part reflecting the manufacturing variability of internal ADC circuits . However, these registers can also be overwritten by user code (only if the ADC is in idle mode) and will be automatically overwritten if an offset or gain calibration cycle is initiated by user via the mode bits in the ADCMDE[2:0] MMR. 2 types of automatic calibration are available to the user, namely :

- **Self (Offset or Gain) Calibration**, where the ADC generates its calibration coefficient based on an internally generated 0V in the case of Self-Offset calibration and full-scale voltage in the case of Self-Gain calibration. It should be emphasized that ADC Self-Calibrations correct for offset and gain errors within the ADC. Self calibrations cannot compensate for other external errors in the system, e.g. Shunt-Resistor tolerance/drift, external offset voltages etc.

- **System (Offset or Gain) Calibration**, where the ADC generates its calibration coefficient based on an externally generated zero-scale voltage in the case of System-Offset calibration and Full-scale voltage in the case of System-Gain calibration which are applied to the external ADC input for the duration of the calibration cycle.

The duration of an Offset calibration is 1 single conversion cycle ( $3/F_{ADC}$  Chop off,  $2/F_{ADC}$  Chop on) before returning the ADC to idle mode. A Gain calibration is a 2 stage process and subsequently takes twice as long as an offset calibration cycle. Once a calibration cycle is initiated, any ongoing ADC conversion is immediately halted, the calibration is carried out automatically at an ADC update rate programmed into ADCFLT and the ADC is always returned to idle after any calibration cycle. It is strongly recommended that ADC calibration is initiated at as low an ADC update rate as possible (high SF value in ADCFLT) in order to minimize the impact of ADC noise during calibration.

**NOTE:** ADC0OF and ADC0GN must first contain the values for PGA = 1 before a calibration scheme is started

## Using the Offset and Gain Calibration Registers

If the Chop bit (ADCFLT[15]) is enabled, then internal ADC offset errors will be minimized and an Offset calibration may not be required. If chopping is disabled however, an initial Offset calibration will be required and may need to be repeated.

A Gain calibration, particularly in the context of the I-ADC (with internal PGA) may need to be carried out at all relevant system gain ranges depending on system accuracy requirements. If it is not possible to apply an external full-scale current on all gain ranges then it is possible to apply a lower current, and scale the result produced by the calibration. e.g Apply a 50% current and then divide the ADC0GN value produced by 2 and write this value back into ADC0GN. It should be noted that there is a lower limit to the input signal that can be applied for a System-Calibration because the ADC0GN register is only 16-Bit. The input span (difference between the System Zero-Scale value and System Full-Scale value) should be greater than 40% of the nominal Full-Scale-Input range, ie  $> 40\%$  of  $V_{ref}/Gain$ .

The on-chip Flash/EE memory can be used to store multiple calibration coefficients which can be copied by user code directly into the relevant calibration registers as appropriate based on system configuration. In general, the simplest way to use the calibration registers is to let the ADC calculate the values required as part of the ADC automatic calibration modes.



A factory or end-of-line calibration for the I-ADC would be a 2-step procedure:

1. Apply 0A current.

Configure the ADC in the required PGA setting etc. and write to ADCMDE[2:0] to perform a System Zero-Scale Calibration. This writes a new offset calibration value into ADC0OF.

2. Apply a Full-Scale current for the selected PGA setting.

Write to ADCMDE to perform a System Full-Scale Calibration. This writes a new gain calibration value into ADC0GN.

## Understanding the Offset and Gain Calibration Registers

The output of the average block in the ADC signal flow described earlier after the digital filter and before the Offset and Gain scaling can be considered to be a fractional number with a span, for a +/- Full-Scale input, of approx +/-0.75. The span is less than +/-1.0 because there is attenuation in the modulator to accommodate some over-range capacity on the input signal. The exact value of the attenuation will vary slightly from part-to-part, because of manufacturing tolerances.

The Offset Coefficient is read from the ADC0OF calibration register. This value is a 16-Bit 2's complement number. The range of this number, in terms of the signal chain, is effectively +/-1.0. 1 LSB of the ADC0OF register is therefore not the same as 1LSB of ADC0DAT.

A positive value of ADC0OF indicates that offset is subtracted from the output of the filter, a negative value is added. The nominal value of this register is 0x0000, indicating zero offset to be removed. The actual offset of the ADC may vary slightly from part-to-part and at different PGA gains. The offset within the ADC is minimized if the Chopping mode is active (ADCFLT[15]=1).

The Gain Coefficient is a unitless scaling factor. The 16-Bit value in this register is divided by 16384, and then multiplied by the offset-corrected value. The nominal value of this register equals 0x5555, which corresponds to a multiplication factor of 1.3333. This scales the nominal +/-0.75 signal to produce a full-scale output signal of +/-1.0 which is checked for Overflow/Underflow and converted to Two's Complement or Unipolar mode as appropriate, before being output to the Data register.

The actual gain, and the required scaling coefficient for zero gain error, varies slightly from part to part, and at different PGA settings and in Normal / Low-Power-Mode. The value downloaded into ADC0GN at power-on/reset represents the scaling factor for a PGA Gain=1. There will be some level of

gain error if this value is used at different PGA settings. User code can over-write the calibration coefficients or run ADC calibrations to correct the gain error at the current PGA setting.

In Summary, the simplified ADC transfer function can be described as :

$$ADCOUT = \left[ \frac{VIN}{VREF} - ADCOF \right] * \frac{ADCGN}{ADCGNNOM}$$

This equation is valid for Voltage/Temperature channel ADC. For the Current Channel ADC,

$$ADCOUT = \left[ \frac{VIN}{VREF} - K * ADCOF \right] * \frac{ADCGN}{ADCGNNOM}$$

where K is dependent on PGA gain setting and ADC mode.

Normal Mode:

For PGA gains of 1,4,8,16,32 and 64 the K factor is 1. For PGA gains of 2 and 128 the K factor is 2. For PGA gain of 256 the K Factor is 4. For PGA gain of 512, the K factor is 8.

Low Power Mode:

The PGA gain is set to 128 and the K factor is 32.

Low Power Plus Mode:

The K factor is 8.

In Low-Power and Low-Power-Plus Mode, the K factor doubles if (AVDD\_Reg)/2 is used as the reference.

## ADC DIAGNOSTICS

The ADuC7032 features diagnostic capability on all three ADCs.

### Current ADC Diagnostics

The ADuC7032 features the capability to detect Open Circuit conditions on the application board. This is accomplished using the two current sources on IIN+ and IIN-, which is controlled via ADC0CON[14,13].

The use of both the IIN+ and IIN- current sources is shown in Table 33.

To verify the current ADC is converting correctly, it is possible to select an internal test voltage via ADC0CON[7,6]. Selecting mode 10 results in the current ADC converting the Voltage Reference, e.g. The Precision 1.2V Reference, divided by 136 for PGA settings less than or equal to 128 and divided by (1.0625\*Gain) for PGA settings greater than 128.

**Temperature ADC Diagnostics**

The ADuC7032 features the capability to detect Open Circuit conditions on the Temperature Channel inputs. This is accomplished using the two current sources on VTEMP+ and GND\_SW, which is controlled via ADC2CON[14,13].

The use of both the VTEMP+ and GND\_SW current sources is shown in Table 34.

To verify the Temperature ADC is converting correctly, it is possible to select an internal test voltage via ADC2CON[7,6]. Selecting mode 10 results in the current ADC converting the Voltage Reference, e.g. The Precision 1.2V Reference, divided by 136.

Table 33: Current ADC Diagnostics

| Fault Condition                               | Current Source Enabled | ADC0DAT Result   |
|---|------------------------|--|
| Short between IIN+ and IIN- at pins of device | IIN+ or IIN-           | No difference between ADC0DAT result prior to and after IIN+ (or IIN-) current source is enabled |
| Short Between IIN+ and GND                    | IIN+                   | No difference between ADC0DAT result prior to and after IIN+ current source is enabled           |
| Short Between IIN- and GND                    | IIN-                   | No difference between ADC0DAT result prior to and after IIN- current source is enabled           |
| IIN+ Open Circuit                             | IIN+                   | Positive Full Scale ( 0x7FFF in Bi Polar Mode )  |
| IIN- Open Circuit                             | IIN-                   | Negative Full Scale ( 0x8000 in Bi Polar Mode )  |

Table 34: Temperature ADC Diagnostics

| Fault Condition                                   | Current Source Enabled | ADC0DAT Result  |
|---|------------------------|---|
| Short between VTEMP+ and GND_SW at pins of device | VTEMP+ or GND_SW       | No difference between reading prior to and after VTEMP+ or GND_SW current source is enabled |
| Short Between VTEMP+ and GND                      | VTEMP+                 | No difference between reading prior to and after VTEMP+ current source is enabled           |
| Short Between GND_SW and GND                      | GND_SW                 | No difference between reading prior to and after GND_SW current source is enabled           |
| VTEMP+ Open Circuit                               | VTEMP+                 | Positive Full Scale ( 0x7FFF in Bi Polar Mode )   |
| GND_SW Open Circuit                               | GND_SW                 | Negative Full Scale ( 0x8000 in Bi Polar Mode )   |

## POWER SUPPLY SUPPORT CIRCUITS

The ADuC7032 incorporates an on-chip Low Drop-Out(LDO) regulator which is driven directly from the battery voltage to generate a 2.6V internal supply. This 2.6V supply is then used as the supply voltage for the ARM7 MCU and peripherals including the precision analog circuits on-chip.

Power on Reset(POR), Power Supply Monitor(PSM) and Low Voltage Flag (LVF) functions are also integrated to ensure safe operation of the MCU as well as continuously monitoring the battery power supply.

The POR circuit is designed to handle all battery ramp rates and guarantee full functional operation of the Flash/EE memory based MCU during power-on and power-down cycles.

As shown in Figure 26, once the supply voltage, VDD, reaches a minimum operating voltage of 3V, a POR signal keeps the ARM core in reset for 20ms. This ensures that the regulated power supply voltage, REG\_DVDD, supplied to the ARM core and associated peripherals is above the minimum operational

voltage to guarantee full functionality. A POR flag is set in the RSTSTA MMR to indicate a POR reset event has occurred

The ADuC7032also features a PSM, or Power Supply Monitor function. Once enabled via HVCFG0[3], the PSM continuously monitors the voltage at the V<sub>DD</sub> pin. If this voltage drops below 6.0V<sub>TYP</sub>, the PSM flag is automatically asserted and can, if the high voltage IRQ is enabled via IRQ/FIQEN[16], generate a system interrupt. An example of this operation is shown in Figure 26.

At voltages below the POR level, an additional Low Voltage Flag can be enabled (HVCFG0[2]). It may be used to indicate that the contents of the SRAM are still valid after a reset event. The operation of the low voltage flag is shown in Figure 26. Once enabled, the status of this bit may be monitored via HVSTA[6]. If this bit is set, then the SRAM contents are valid. If this bit is cleared, then the SRAM contents may have been corrupted.

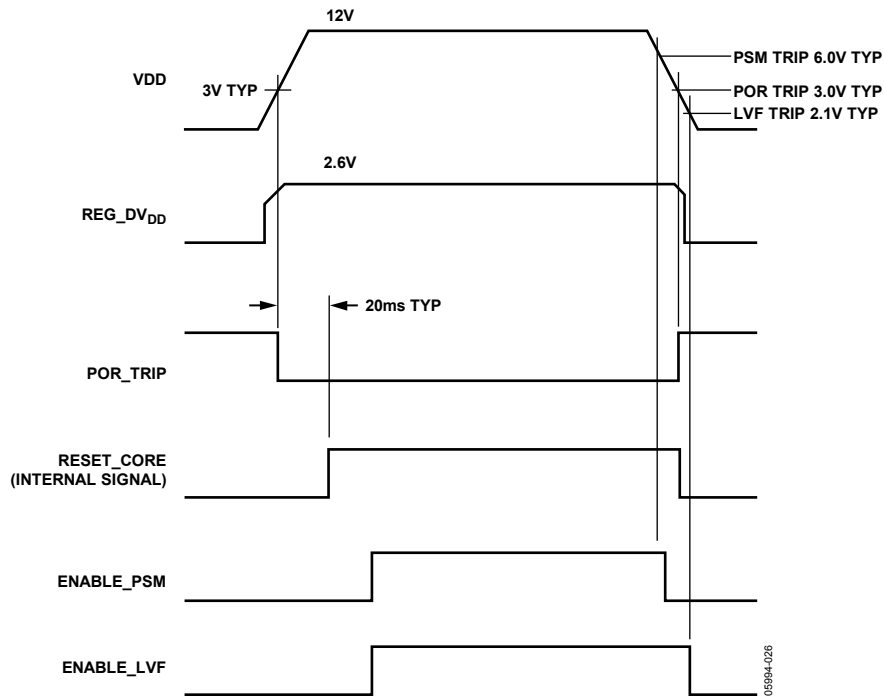


Figure 26: Typical Power-On Cycle

## ADUC7032 SYSTEM CLOCKS

The ADuC7032 integrates a highly flexible clocking system, which may be clocked from one of three sources:

1. An integrated on-chip precision oscillator
2. An integrated on-chip low power oscillator.
3. An external watch crystal

These three options are shown in Figure 27.

Each of the internal oscillators are divided by 4 to generate a clock frequency of 32.768kHz. The PLL locks onto a multiple (625) of 32.768kHz, supplied by either of the internal oscillators or the external crystal, to provide a stable 20.48MHz clock for the system. The core can operate at this frequency, or at binary submultiples of it, which allows power saving if peak performance is not required.

By default, the PLL is driven by the Low Power oscillator which

generates a 20.48MHz clock source. The ARM7TDMI Core, is driven by a CD divided clock derived from the output of the PLL. By default, the CD divider is configured to divide the PLL output by 2, which generates a core clock of 10.24MHz. The divide factor may be modified to generate a binary weighted divider factor from 1 to 128, which may be altered dynamically by user code.

The ADC is driven by the output of the PLL, divided to give an ADC clock source of 512kHz. In low-power mode the ADC clock source is switched from the standard 512kHz to the Low Power 131kHz oscillator.

It should also be noted that the low power oscillator drives both the watchdog and core wake-up timers through a divide by 4 circuit. A detailed block diagram of the ADuC7032 clocking system is shown in Figure 27.

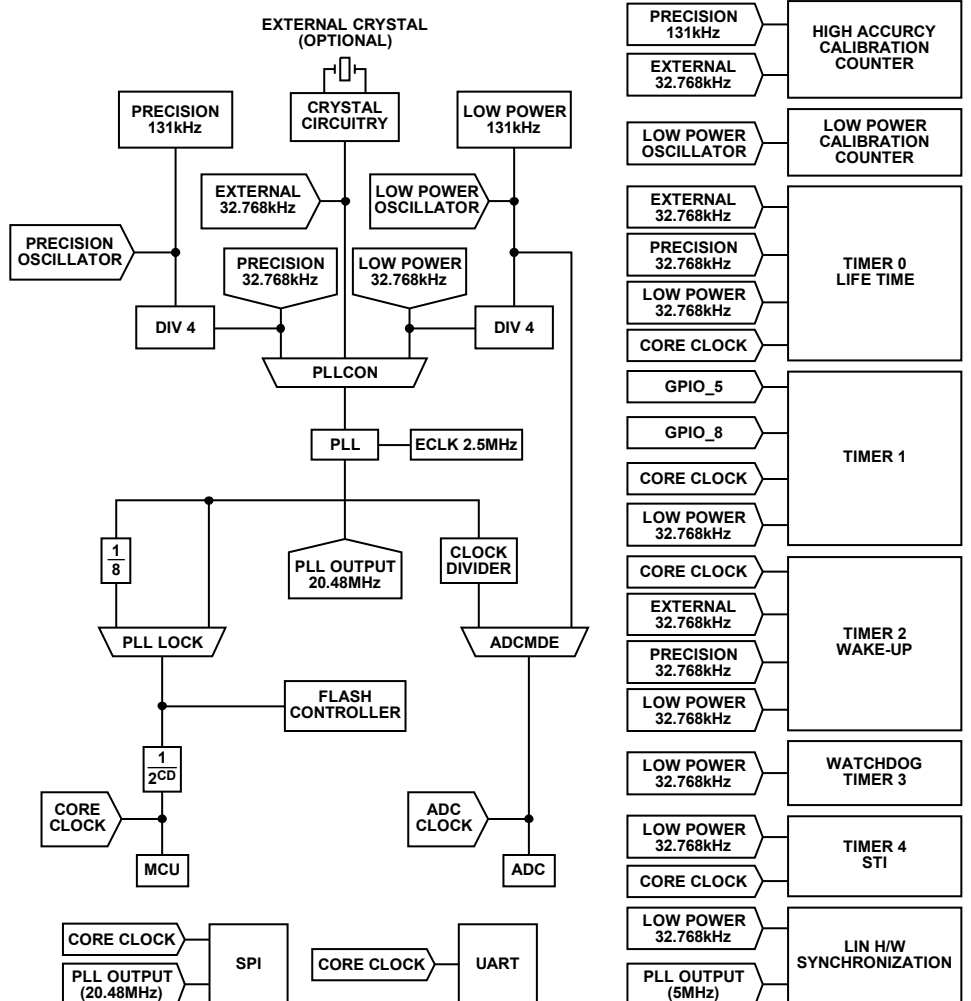


Figure 27: ADuC7032 System Clock Generation

The operating mode, clocking mode and programmable clock divider are controlled via two MMRs, PLLCON and POWCON, and the status of the PLL is indicated by PLLSTA. PLLCON controls the operating mode of the clock system while POWCON controls the core clock frequency and the power-down mode. PLLSTA indicates the presence of an oscillator on the XTAL1 pin, the PLL Lock status, and the PLL Interrupt.

It is recommended that before the ADuC7032 is powered down, that the clock source for the PLL is switched to the Low Power 131kHz oscillator to reduce wake up time. The Low Power Oscillator is always active.

When the ADuC7032 wakes up from power down, the MCU core will begin executing code once the PLL begins oscillating. This occurs before the PLL has locked to a frequency of 20.48MHz. To ensure the Flash memory controller is executing with a valid clock, the controller is driven with a PLL-Output/8 clock source while the PLL is locking. Once the PLL locks, the PLL's output is switched from the PLL-Output/8 to the locked PLL-Output.

If user code requires an accurate PLL output, user code must poll the Lock bit (PLLSTA[1]) after wake-up before resuming normal code execution.

The PLL will be locked and executing user code within 2ms, if the PLL is clocked from an active clock source, e.g. Low Power 131kHz oscillator after waking up.

PLLCON is a protected MMR with two 32 bit keys PLLKEY0, a pre write key, and PLLKEY1, a post write key.

- PLLKEY0 = 0x000000AA
- PLLKEY1 = 0x00000055

POWCON is a protected MMR with two 32 bit keys POWKEY0, a pre write key, and POWKEY1, a post write key.

- POWKEY0 = 0x00000001
- POWKEY1 = 0x000000F4

An example of writing to both MMRs is shown below:

```

POWKEY0 = 0x01 //POWCON KEY
POWCON = 0x00 //Full Power-down
POWKEY1 = 0xF4 //POWCON KEY
iA1 * iA2 //dummy cycle

PLLKEY0 = 0xAA //PLLCON KEY
PLLCON = 0x0 //Switch to Low
//Power Osc.
PLLKEY1 = 0x55 //PLLCON KEY
iA1 * iA2 //dummy cycle
    
```

**PLLSTA Register :**

**Name :** PLLSTA  
**Address :** 0xFFFF0400  
**Default Value :** 0x02  
**Access :** Read/Write

**Function :** This 8-bit register allows user code to monitor the lock state of the PLL and the status of the external crystal.

Table 35: PLLSTA MMR Bit Description

| Bit  | Description   |
|------|---|
| 31-3 | Reserved and should be written as zeros   |
| 2    | XTAL Clock, Read Only<br>This is a live representation of the current logic level on XTAL1. This allows the user to check to see if an external clock source is present. If present this bit will alternate high and low at a frequency of 32.768kHz. |
| 1    | PLL Lock Status Bit, Read Only<br>Set when the PLL is locked and outputting 20.48MHz.<br>Clear when the PLL is not locked and outputting a Fcore/8 clock source   |
| 0    | PLL Interrupt:<br>Set if the PLL Lock status bit signal goes low.<br>Cleared by writing 1 to this bit   |

**PLLCON Pre-write Key PLLKEY0:**

**Name :** PLLKEY0  
**Address :** 0xFFFF0410  
**Default Value :** 0x00000000  
**Access :** Write Only  
**Key:** 0x000000AA

**Function :** PLLCON is a keyed register that requires a 32 Bit key value to be written before and after PLLCON. PLLKEY0 is the Pre-Write Key

**PLLCON Pre-write Key PLLKEY1:**

**Name :** PLLKEY1  
**Address :** 0xFFFF0418  
**Default Value :** 0x00000000  
**Access :** Write Only  
**Key:** 0x00000055

**Function :** PLLCON is a keyed register that requires a 32 Bit key value to be written before and after PLLCON. PLLKEY1 is the Post-Write Key

**PLLCON Register :**

**Name :** PLLCON  
**Address :** 0xFFFF0414  
**Default Value :** 0x00  
**Access :** Read/Write  
**Function :** This 8-bit register allows user code dynamically select the PLL source clock from three different oscillator sources.

Table 36: PLLCON MMR Bit description

| Bit  | Description  |
|------|--|
| 31-3 | Reserved, these bits should be written as 0 by user code |
| 2    | Not Used, must be written 0 by user software.            |
| 1-0  | PLL Clock Source <sup>1</sup>                            |
|      | 00 Low Power 131kHz oscillator                           |
|      | 01 Precision 131kHz oscillator                           |
|      | 10 External 32.768kHz Crystal                            |
|      | 11 Reserved  |

<sup>1</sup> If user code switches MCU clock sources, a dummy MCU cycle should be included after the clock switch is written to PLLCON.

**POWCON Pre-write Key POWKEY0:**

**Name :** POWKEY0  
**Address :** 0xFFFF0404  
**Default Value :** 0x00000000  
**Access :** Write Only  
**Key:** 0x00000001

**Function :** POWCON is a keyed register that requires a 32 Bit key value to be written before and after POWCON. POWKEY0 is the Pre-Write Key

**POWCON Pre-write Key POWKEY1:**

**Name :** POWKEY1  
**Address :** 0xFFFF040C  
**Default Value :** 0x00000000  
**Access :** Write Only  
**Key:** 0x000000F4

**Function :** POWCON is a keyed register that requires a 32 Bit key value to be written before and after POWCON. POWKEY1 is the Post-Write Key

**POWCON Register :**

**Name :** POWCON  
**Address :** 0xFFFF0408  
**Default Value :** 0x079  
**Access :** Read/Write  
**Function :** This 8-bit register allows user code dynamically enter various Low Power modes and modify the CD divider which controls the speed of the ARM7TDMI Core.

Table 37 : POWCON MMR bit designations

| Bit  | Description  |          |           |         |     |           |         |     |          |          |     |          |          |     |          |          |     |         |        |     |         |         |     |         |        |
|------|--|----------|-----------|---------|-----|-----------|---------|-----|----------|----------|-----|----------|----------|-----|----------|----------|-----|---------|--------|-----|---------|---------|-----|---------|--------|
| 31-8 | Reserved   |          |           |         |     |           |         |     |          |          |     |          |          |     |          |          |     |         |        |     |         |         |     |         |        |
| 7    | Precision 131kHz Input Enable:<br>Cleared by the user to Power down the Precision 131kHz Input Enable.<br>Set by the user to enable the Precision 131kHz Input Enable. The Precision 131kHz oscillator must also be enabled via HVCFG0[6]. Setting this bit increases current consumption by approximately 50uA and should be disabled when not in use.  |          |           |         |     |           |         |     |          |          |     |          |          |     |          |          |     |         |        |     |         |         |     |         |        |
| 6    | XTAL Power Down:<br>Cleared by the user to Power down the external crystal circuitry.<br>Set by the user to enable the external crystal circuitry.   |          |           |         |     |           |         |     |          |          |     |          |          |     |          |          |     |         |        |     |         |         |     |         |        |
| 5    | PLL Power Down <sup>1</sup> :<br>This bit is cleared to 0 to power down the PLL. The PLL can not be powered down if either the core or peripherals are enabled: Bits 3, 4 and 5 must be cleared simultaneously.<br>Set by default, and set by hardware on a wake up event  |          |           |         |     |           |         |     |          |          |     |          |          |     |          |          |     |         |        |     |         |         |     |         |        |
| 4    | Peripherals <sup>2,3, 4</sup> Power Down:<br>Cleared to power down the peripherals. The peripherals cannot be powered down if the core is enabled: bits 3 and 4 must be cleared simultaneously.<br>Set by default, or and by hardware on a wake up event   |          |           |         |     |           |         |     |          |          |     |          |          |     |          |          |     |         |        |     |         |         |     |         |        |
| 3    | Core Power Down: <sup>5</sup><br>Cleared to power down the ARM Core<br>Set by default, and set by hardware on a wake up event  |          |           |         |     |           |         |     |          |          |     |          |          |     |          |          |     |         |        |     |         |         |     |         |        |
| 2-0  | CD Core clock divider bits:  |          |           |         |     |           |         |     |          |          |     |          |          |     |          |          |     |         |        |     |         |         |     |         |        |
|      | <table border="1"> <tbody> <tr> <td>000</td> <td>20.48 MHz</td> <td>48.83ns</td> </tr> <tr> <td>001</td> <td>10.24 MHz</td> <td>97.66ns</td> </tr> <tr> <td>010</td> <td>5.12 MHz</td> <td>195.31ns</td> </tr> <tr> <td>011</td> <td>2.56 MHz</td> <td>390.63ns</td> </tr> <tr> <td>100</td> <td>1.28 MHz</td> <td>781.25ns</td> </tr> <tr> <td>101</td> <td>640 kHz</td> <td>1.56µs</td> </tr> <tr> <td>110</td> <td>320 kHz</td> <td>3.125µs</td> </tr> <tr> <td>111</td> <td>160 kHz</td> <td>6.25µs</td> </tr> </tbody> </table> | 000      | 20.48 MHz | 48.83ns | 001 | 10.24 MHz | 97.66ns | 010 | 5.12 MHz | 195.31ns | 011 | 2.56 MHz | 390.63ns | 100 | 1.28 MHz | 781.25ns | 101 | 640 kHz | 1.56µs | 110 | 320 kHz | 3.125µs | 111 | 160 kHz | 6.25µs |
| 000  | 20.48 MHz  | 48.83ns  |           |         |     |           |         |     |          |          |     |          |          |     |          |          |     |         |        |     |         |         |     |         |        |
| 001  | 10.24 MHz  | 97.66ns  |           |         |     |           |         |     |          |          |     |          |          |     |          |          |     |         |        |     |         |         |     |         |        |
| 010  | 5.12 MHz   | 195.31ns |           |         |     |           |         |     |          |          |     |          |          |     |          |          |     |         |        |     |         |         |     |         |        |
| 011  | 2.56 MHz   | 390.63ns |           |         |     |           |         |     |          |          |     |          |          |     |          |          |     |         |        |     |         |         |     |         |        |
| 100  | 1.28 MHz   | 781.25ns |           |         |     |           |         |     |          |          |     |          |          |     |          |          |     |         |        |     |         |         |     |         |        |
| 101  | 640 kHz  | 1.56µs   |           |         |     |           |         |     |          |          |     |          |          |     |          |          |     |         |        |     |         |         |     |         |        |
| 110  | 320 kHz  | 3.125µs  |           |         |     |           |         |     |          |          |     |          |          |     |          |          |     |         |        |     |         |         |     |         |        |
| 111  | 160 kHz  | 6.25µs   |           |         |     |           |         |     |          |          |     |          |          |     |          |          |     |         |        |     |         |         |     |         |        |

<sup>1</sup> Timer peripherals will be powered down if driven from the PLL Output clock. Timers driven from an active clock source will stay in normal power mode.

<sup>2</sup> The peripherals that are powered down by this bit are as follows:  
 SRAM, Flash/EE Memory and GPIO Interfaces  
 SPI and UART Serial Ports

<sup>3</sup> LIN can still respond to wake-up events even if this bit is cleared.

<sup>4</sup> Wake-Up Timer (Timer2) can still be active if driven from low power oscillator even if this bit is set.

<sup>5</sup> If user code powers down the MCU, a dummy MCU cycle should be included after the power-down command is written to POWCON.

## ADUC7032 LOW POWER CLOCK CALIBRATION

The low power 131kHz oscillator may be calibrated using either the precision 131kHz oscillator, or an external 32.768kHz watch crystal. Two dedicated calibration counters and an oscillator trim register are used to implement this feature.

One counter, 9-bits wide, is clocked by the accurate clock oscillator, either the Precision oscillator or external watch crystal. The second counter, 10-bits wide, is clocked by the low power oscillator, either directly at 131kHz or via a divide by 4 block generating 32.768kHz. The source for each calibration counter should be of the same frequency. The trim register (OSC0TRM) is an 8-bit wide register, the lower 4-bits of which are user accessible trim bits. Increasing the value in OSC0TRM will decrease the frequency of the low power oscillator, decreasing the value will increase the frequency. Based on a nominal frequency of 131kHz, the typical trim range is between 127kHz to 135kHz. The OSC0TRIM bits have a resolution of typically 500Hz per LSB.

The clock calibration mode is configured and controlled by the following MMRs:

- OSC0CON: Control bits for calibration,
- OSC0STA: Calibration Status Register
- OSC0VAL0: 9Bit counter. Counter 0
- OSC0VAL1: 10Bit counter. Counter 1
- OSC0TRM: Oscillator Trim Register

An example calibration routine is shown in Figure 28. User code configures and enables the calibration sequence via OSC0CON. When the precision oscillator calibration counter, OSC0VAL0, reaches 0x1FF, both counters are disabled.

User code then reads back the value of the low power oscillator calibration counter. There are three possible scenarios:

- $OSC0VAL0 = OSC0VAL1$ . No Further Action is required.
- $OSC0VAL0 > OSC0VAL1$ . The Low Power Oscillator is running slow. OSC0TRM must be decreased.
- $OSC0VAL0 < OSC0VAL1$ . The Low Power Oscillator is running fast. OSC0TRM must be increased.

When the OSC0TRM has been changed the routine should be re-run and the new frequency checked.

Using the internal precision 131kHz oscillator, it will take approximately 4milliseconds to execute the calibration routine. If the external 32.768kHz crystal is used, this time increases to 16milliseconds.

NOTE: Prior to the clock calibration routine been started, it is required that the user switch to either the precision 131kHz oscillator or the external 32.768kHz watch crystal as the PLL Clock Source. If this is not done, it is possible that the PLL will lose lock each time OSC0TRM is modified. This will increase the length of time it takes to calibrate the Low Power, Oscillator.

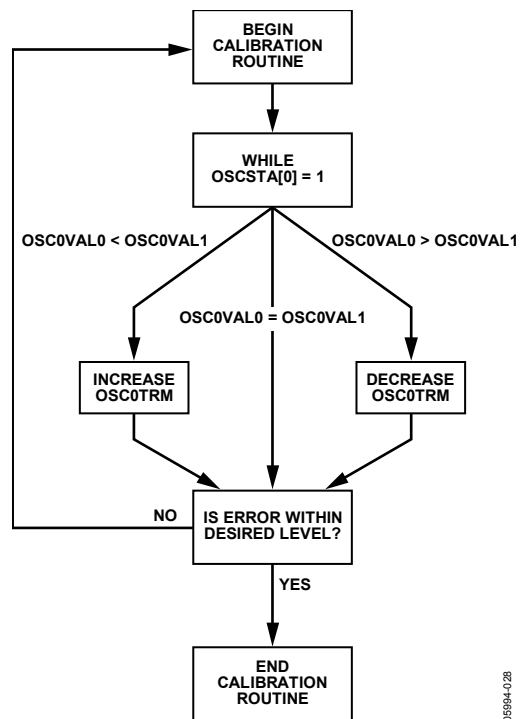


Figure 28 : Example OSC0TRM Calibration Routine

05594-028



**OSC0TRM Register :**

**Name :** OSC0TRM  
**Address :** 0xFFFF042C  
**Default Value :** 0x08  
**Access :** Read/Write  
**Function :** This 8-bit register controls the Low Power Oscillator Trim

Table 38: OSC0TRM MMR Bit Definition

| Bit | Description                             |
|-----|---|
| 7-4 | Reserved and should be written as zeros |
| 3-0 | User Trim Bits                          |

**OSC0CON Register :**

**Name :** OSC0CON  
**Address :** 0xFFFF0440  
**Default Value :** 0x00  
**Access :** Read/Write  
**Function :** This 8-bit register controls the Low Power Oscillator Calibration routine

Table 39: OSC0CON MMR Bit Definition

| Bit | Description   |
|-----|---|
| 7-5 | Reserved and should be written as zeros   |
| 4   | Calibration Source<br>Set to select external 32.768KHz crystal<br>Cleared to select internal precision 131KHz Oscillator. |
| 3   | Calibration Reset<br>Set to reset the calibration counters and disable the Calibration logic                              |
| 2   | Set to clear OSCVAL1  |
| 1   | Set to clear OSCVAL0  |
| 0   | Calibration Enable<br>Set to begin calibration<br>Cleared to abort calibration  |

**OSCOSTA Register :**

**Name :** OSCOSTA  
**Address :** 0xFFFF0444  
**Default Value :** 0x00  
**Access :** Read Access only  
**Function :** This 8-bit register reflects the status of the Low Power Oscillator Calibration routine

Table 40 : OSCOSTA MMR Bit Definition

| Bit  | Description  |
|------|--|
| 31-4 | Reserved   |
| 3-2  | Current State of Calibration<br>00 Calibration Idle, device disabled or completed<br>01 Counter Enable state<br>10 Counting<br>11 Finished, return to Idle |
| 1    | Calibration Enable<br>Set to begin calibration<br>Cleared to abort calibration   |
| 0    | Set if calibration is in progress.<br>Cleared if calibration completed   |

**OSCOVAL0 Register :**

**Name :** OSCOVAL0  
**Address :** 0xFFFF0448  
**Default Value :** 0x00  
**Access :** Read Access only  
**Function :** This 9-bit counter is clocked from either the 131kHz Precision Oscillator or the 32.768kHz external crystal.

**OSCOVAL1 Register :**

**Name :** OSCOVAL1  
**Address :** 0xFFFF044C  
**Default Value :** 0x00  
**Access :** Read Access only  
**Function :** This 10 bit counter is clocked from the Low Power, 131kHz oscillator..

# PROCESSOR REFERENCE PERIPHERALS

## INTERRUPT SYSTEM

There are 15 interrupt sources on the ADuC7032 which are controlled by the Interrupt Controller. Most interrupts are generated from the on-chip peripherals such as the ADC, UART, etc.. The ARM7TDMI CPU core will only recognize interrupts as one of two types, a normal interrupt request IRQ and a fast interrupt request FIQ. All the interrupts can be masked separately.

The control and configuration of the interrupt system is managed through nine interrupt-related registers, four dedicated to IRQ, four dedicated to FIQ. An additional MMR is used to select the programmed interrupt source. The bits in each IRQ and FIQ registers represent the same interrupt source as described in Table 41.

IRQSTA/FIQSTA should be saved immediately upon entering the ISR ( Interrupt Service Routine ) to ensure that all valid interrupt sources are serviced.

The interrupt generation route through the ARM7TDMI core is shown in Figure 29.

Consider the example of Timer0 which is configured to generate a timeout every 1ms.

After the first 1ms timeout, FIQSIG/IRQSIG[2] will be set and will only be cleared by writing to T0CLR1.

If Timer0 is not enabled in either IRQEN or FIQEN, then FIQSTA/IRQSTA[2] will not be set and an interrupt will not occur.

If Timer0 is enabled in either IRQEN or FIQEN, then either FIQSTA/IRQSTA[2] will be set and either an FIQ or an IRQ interrupt will occur.

Please note that the IRQ and FIQ interrupt bit definitions in the CPSR only control interrupt recognition by the ARM Core, not by the peripherals.

For example, if Timer2 is configured to generate an IRQ via IRQEN, the IRQ interrupt bit is set ( Disabled ) in the CPSR and the ADuC7032 is powered down. When an interrupt occurs, the peripherals will be woken, but the ARM core will remain powered down. This is equivalent to POWCON = 0x71. The ARM Core can only be powered up by a reset event if this occurs.

Table 41 : IRQ/FIQ MMRs bit description

| Bit | Description                                   | For more information please refer to:                           |
|-----|---|---|
| 0   | All interrupts ORed                           |   |
| 1   | SWI:<br>not used in IRQEN/CLR and FIQEN/CLR   |   |
| 2   | Timer 0                                       | Timer0 – Life-Time timer Page 78                                |
| 3   | Timer 1                                       | Timer1 Page 79  |
| 4   | Timer 2 - Wake Up timer                       | Timer2 - Wake-Up Timer Page 82                                  |
| 5   | Timer 3 - Watchdog Timer                      | Timer3 - Watchdog Timer Page 83                                 |
| 6   | <i>Reserved and should be written as zero</i> |   |
| 7   | LIN Hardware                                  | LIN (Local Interconnect Network ) INTERFACE Page 115            |
| 8   | Flash/EE Interrupt                            | Flash/EE memory Control Interface Page 31                       |
| 9   | PLL Lock                                      | ADuC7032 System Clocks Page 68                                  |
| 10  | ADC   | 16-Bit $\Sigma$ - $\Delta$ Analog to Digital Converters Page 44 |
| 11  | UART  | UART SERIAL INTERFACE Page 105                                  |
| 12  | SPI   | SERIAL PERIPHERAL INTERFACE Page 112                            |
| 13  | XIRQ0 ( GPIO IRQ 0 )                          | General Purpose I/O Page 84                                     |
| 14  | XIRQ1 ( GPIO IRQ 1 )                          | General Purpose I/O Page 84                                     |
| 15  | <i>Reserved and should be written as zero</i> |   |
| 16  | IRQ3 High Voltage IRQ                         | High Voltage Interrupt  |
| 17  | XIRQ4 ( GPIO IRQ 4 )                          | General Purpose I/O Page 84                                     |
| 18  | XIRQ5 ( GPIO IRQ 5 )                          | General Purpose I/O Page 84                                     |

**IRQ**

The IRQ is the exception signal to enter the IRQ mode of the processor. It is used to service general purpose interrupt handling of internal and external events.

The four 32-bit registers dedicated to IRQ are:

- **IRQSIG**, reflects the status of the different IRQ sources. If a peripheral generates an IRQ signal, the corresponding bit in the IRQSIG will be set, otherwise it is cleared. The IRQSIG bits are cleared when the interrupt in the particular peripheral is cleared. All IRQ sources can be masked in the IRQEN MMR. IRQSIG is read-only. IRQSIG may be used to poll interrupt sources.
- **IRQEN**, provides the value of the current enable mask. When bit is set to 1, the source request is enabled to create an IRQ exception. When bit is set to 0, the source request is disabled or masked which will not create an IRQ exception.
- **IRQCLR**, (write-only register) allows clearing the IRQEN register in order to mask an interrupt source. Each bit set to 1 will clear the corresponding bit in the IRQEN register without affecting the remaining bits. The pair of registers IRQEN and IRQCLR allows independent manipulation of the enable mask without requiring an atomic read-modify-write.
- **IRQSTA**, (read-only register) provides the current enabled IRQ source status( effectively a logic AND of the IRQSIG and IRQEN bits). When set to 1 that source will generate an active IRQ request to the ARM7TDMI core. There is no priority encoder or interrupt vector generation. This function is implemented in software in a common interrupt handler routine. All 32 bits are logically OR'ed to create a single IRQ signal to the ARM7TDMI core.

**FIQ**

The FIQ (Fast Interrupt reQuest) is the exception signal to enter the FIQ mode of the processor. It is provided to service data transferor communication channel tasks with low latency. The FIQ interface is identical to the IRQ interface providing the second level interrupt (highest priority). Four 32-bit registers are dedicated to FIQ, FIQSIG, FIQEN, FIQCLR and FIQSTA.

Bit 31 to 1 of FIQSTA are logically OR'ed to create the FIQ signal to the core and the bit 0 of both the FIQ and IRQ registers (FIQ source).

The logic for FIQEN and FIQCLR will not allow an interrupt source to be enabled in both IRQ and FIQ masks. A bit set to '1' in FIQEN will, as a side-effect, clear the same bit in IRQEN. A bit set to '1' in IRQEN will, as a side-effect, clear the same bit in

FIQEN. An interrupt source can be disabled in both IRQEN and FIQEN masks.

**Programmed interrupts**

As the programmed interrupts are non-maskable, they are controlled by another register, SWICFG, which write into both IRQSTA and IRQSIG registers or/and FIQSTA and FIQSIG registers at the same time.

The 32-bit register dedicated to software interrupt is SWICFG described in Table 42a. This MMR allows the control of programmed source interrupt.

Table 42 : SWICFG MMR Bit Descriptions

| Bit  | Description   |
|------|---|
| 31-3 | Reserved  |
| 2    | Programmed Interrupt-FIQ<br>Setting/clearing this bit correspond in setting/clearing bit 1 of FIQSTA and FIQSIG |
| 1    | Programmed Interrupt-IRQ<br>Setting/clearing this bit correspond in setting/clearing bit 1 of IRQSTA and IRQSIG |
| 0    | Reserved  |

Note that any interrupt signal must be active for at least the minimum interrupt latency time, to be detected by the interrupt controller and to be detected by user in the IRQSTA/FIQSTA register.

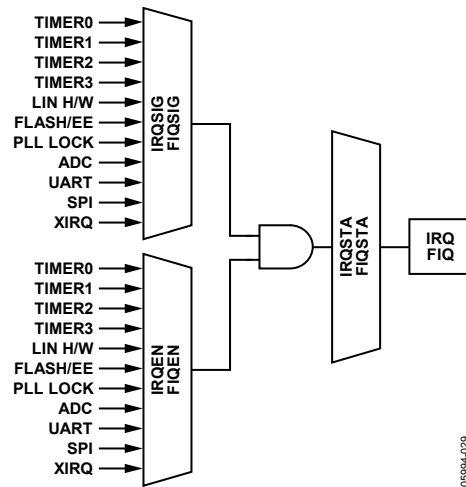


Figure 29: Interrupt Structure

05994-029

## TIMERS

The ADuC7032 features four general purpose Timer/Counters:

- Timer0, or Life-Time Timer
- Timer1,
- Timer2 or Wake-up Timer,
- Timer3 or Watchdog Timer.

The four timers in their normal mode of operation may either be free-running or periodic.

- In free-running mode the counter decrements/increments from the maximum/minimum value until zero/full scale and starts again at the maximum /minimum value.
- In periodic mode the counter decrements/increments from the value in the Load Register(TxLD MMR,) until zero/full scale and starts again at the value stored in the Load Register.

The value of a counter can be read at any time by accessing its value register (TxVAL). Timers are started by writing in the Control register of the corresponding timer (TxCON).

In normal mode, an IRQ is generated each time the value of the counter reaches zero, if counting down, or full-scale, if counting up. An IRQ can be cleared by writing any value to Clear register of the particular timer (TxCLRI). Once TxCLRI is written to, the Timer is reloaded with TxLD within 4 clocks of the timers clock source.

Table 43 : Timer Event Capture

| Bit | Description              | For more information please refer to:                           |
|-----|--------------------------|---|
| 0   | Timer 0                  | Timer0 – Life-Time timer Page 78                                |
| 1   | Timer 1                  | Timer1 Page 79  |
| 2   | Timer 2 - Wake Up timer  | Timer2 - Wake-Up Timer Page 82                                  |
| 3   | Timer 3 - Watchdog Timer | Timer3 - Watchdog Timer Page 83                                 |
| 4   | <i>Reserved</i>          | <i>Should be written as zero</i>                                |
| 5   | LIN Hardware             | LIN (Local Interconnect Network ) INTERFACE Page 115            |
| 6   | Flash/EE Interrupt       | Flash/EE memory Control Interface Page 31                       |
| 7   | PLL Lock                 | ADuC7032 System Clocks Page 68                                  |
| 8   | ADC                      | 16-Bit $\Sigma$ - $\Delta$ Analog to Digital Converters Page 44 |
| 9   | UART                     | UART SERIAL INTERFACE Page 105                                  |
| 10  | SPI                      | SERIAL PERIPHERAL INTERFACE Page 112                            |
| 11  | XIRQ0 ( GPIO IRQ 0 )     | General Purpose I/O Page 84                                     |
| 12  | XIRQ1 ( GPIO IRQ 1 )     | General Purpose I/O Page 84                                     |
| 13  | <i>Reserved</i>          | <i>Should be written as zero</i>                                |
| 14  | IRQ3 High Voltage IRQ    | High Voltage Interrupt  |
| 15  | XIRQ4 ( GPIO IRQ 4 )     | General Purpose I/O Page 84                                     |
| 16  | XIRQ5 ( GPIO IRQ 5 )     | General Purpose I/O Page 84                                     |

## TIMERO – LIFE-TIME TIMER

Timer0 is a general purpose 48-bit count-up, or a 16-bit count up/down timer with a programmable prescaler. Timer0 may be clocked from either the Core clock, the Low Power 32.768kHz Oscillator, the Precision 32.768kHz Oscillator or an external 32.768kHz crystal, with a prescaler of 1,16, 256 or 32768. This gives a minimum resolution of 48.83ns when the core is operating at 20.48MHz, and with a prescaler of 1.

In 48-bit mode, Timer0 counts up from zero. The current counter value may be read from T0VAL0 and T0VAL1.

In 16-Bit mode,Timer0 may count up or count down. A 16-bit value may be written to T0LD which will be loaded into the counter. The current counter value may be read from T0VAL0. Timer0 has a capture register (T0CAP), which may be triggered by a selected IRQ's source initial assertion. Once triggered, the current timer value is copied to T0CAP, and the timer keeps running. This feature can be used to determine the assertion of an event with more accuracy than by servicing an interrupt alone.

Timer0 reloads the value from T0LD either when TIMER0 overflows, or immediately when T0CLRI is written.

Timer0 interface consists of six MMRS:

- **T0LD** is a 16-bit register which holds the 16 bit value that is loaded into the counter. Only available in 16-bit mode.
- **T0CAP** is a 16-bit register which holds the 16-bit value captured by an enabled IRQ event. Only available in 16-bit mode.
- **T0VAL0/T0VAL1** are 16-bit and 32-bit registers which hold the 16 least significant bits and 32 most significant bits respectively. T0VAL0 and T0VAL1 is read-only. In 16-bit mode 16-bit T0VAL0 is used. In 48-bit mode both 16-bit T0VAL0 and 32-bit T0VAL1 are used.
- **T0CLRI** is an 8-bit register. Writing any value to this register will clear the interrupt. Only available in 16-bit mode.
- **T0CON** is the configuration MMR described in Table 44.

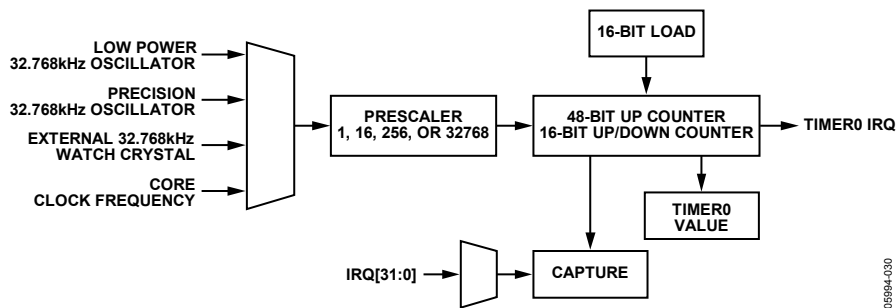


Figure 30: Timer 0 block diagram

### Timer0 Value Register :

**Name :** T0VAL0/T0VAL1  
**Address :** 0xFFFF0304, 0xFFFF0308  
**Default Value :** 0x00, 0x00  
**Access :** Read Only  
**Function :** T0VAL0 and T0VAL1 are 16-bit and 32-bit registers which hold the 16 least significant bits and 32 most significant bits respectively. T0VAL0 and T0VAL1 is read-only. In 16-bit mode 16-bit T0VAL0 is used. In 48-bit mode both 16-bit T0VAL0 and 32-bit T0VAL1 are used.

### Timer0 Capture Register :

**Name :** T0CAP  
**Address :** 0xFFFF0314  
**Default Value :** 0x00  
**Access :** Read Only  
**Function :** This is a 16-bit register which holds the 16-bit value captured by an enabled IRQ event. Only available in 16-bit mode.

**Timer0 Control Register :**

**Name :** T0CON  
**Address :** 0xFFFF030C  
**Default Value :** 0x00  
**Access :** Read/Write Only  
**Function :** The 17-bit MMR configures the mode of operation of Timer0

Table 44 : T0CON MMR Bit Descriptions

| Bit   | Description   |
|-------|---|
| 31-18 | Reserved<br>This bit is reserved and should be written as 0 by user code.   |
| 17    | Event Select bit:<br>Set by user to enable time capture of an event<br>Cleared by user to disable time capture of an event                                  |
| 16-12 | Event select range, 0 to 31<br>The events are as described in Table 43.   |
| 11    | Reserved<br>This bit is reserved and should be written as 0 by user code.   |
| 10-9  | Clock Select:<br>00 Core Clock ( Default )<br>01 Low Power 32.768kHz Oscillator<br>10 External 32.768kHz Watch Crystal<br>11 Precision 32.768kHz Oscillator |
| 8     | Count up: ( Only available in 16Bit Mode )<br>Set by user for timer 0 to count up<br>Cleared by user for timer 0 to count down. ( Default )                 |
| 7     | Timer0 enable bit:<br>Set by user to enable timer 0<br>Cleared by user to disable timer 0. ( Default )  |
| 6     | Timer 0 mode:<br>Set by user to operate in periodic mode<br>Cleared by user to operate in free-running mode. ( Default )                                    |
| 5     | Reserved<br>This bit is reserved and should be written as 0 by user code.   |
| 4     | Timer0 Mode of Operation:<br>0 16 Bit operation ( Default )<br>1 48 Bit Operation   |
| 3-0   | Prescaler:<br>0000 Source clock / 1 ( Default )<br>0100 Source clock / 16<br>1000 Source clock / 256<br>1111 Source clock / 32768                           |

**Timer0 Load Registers:**

**Name :** T0LD  
**Address :** 0xFFFF0300  
**Default Value :** 0x00  
**Access :** Write Once Only  
**Function :** T0LD0 is a 16-bit register which holds the 16 bit value that is loaded into the counter. Only available in 16-bit mode.

**Timer0 Clear Register :**

**Name :** T0CLRI  
**Address :** 0xFFFF0310  
**Default Value :** 0x0FF  
**Access :** Write Only  
**Function :** This 16-bit, write-only MMR is written (with any value) by user code to refresh(reload) Timer0.

## TIMER1

Timer1 is a 32-bit general purpose timer, count-down or count-up, with a programmable pre-scalar. The pre-scalar source can be the Low Power 32.768kHz Oscillator, the core clock, or from one of two external GPIO. This source can be scaled by a factor of 1, 16, 256 or 32768. This gives a minimum resolution of 48.83ns when operating at CD zero, the core is operating at 20.48MHz, and with a pre-scalar of 1 ( Ignoring external GPIO).

The counter can be formatted as a standard 32-bit value or as Hours:Minutes:Seconds:Hundreths.

Timer1 has a capture register (T1CAP), which can be triggered by a selected IRQ's source initial assertion. Once triggered, the current timer value is copied to T1CAP, and the timer keeps running. This feature can be used to determine the assertion of an event with increased accuracy.

Timer1 interface consists of five MMRS:

- **T1LD**, **T1VAL** and **T1CAP** are 32-bit registers and hold 32-bit unsigned integers. T1VAL and T1CAP are read-only.
- **T1CLRI** is an 8-bit register. Writing any value to this register will clear the timer1 interrupt.
- **T1CON** is the configuration MMR described in below.

Timer1 features a post-scalar. This allows the user to count between 1 and 256 the number of timer1 timeouts. To activate the post-scalar, the user sets bit 23 and writes the desired number to count into bits 24-31 of T1CON. Once that number of timeouts has reached, Timer1 will generate an interrupt if T1CON[18] is set.

**NOTE:** If the part is in a low power mode, and Timer1 is clocked from the GPIO or low power oscillator source then, Timer1 will continue to be operate.

Timer1 reloads the value from T1LD either when TIMER01 overflows, or immediately when T1CLRI is written.

### Timer1 Load Registers:

**Name :** T1LD  
**Address :** 0xFFFF0320  
**Default Value :** 0x00000  
**Access :** Write Only  
**Function :** T1LD is a 32 bit register which holds the 32 bit value that is loaded into the counter.

### Timer1 Clear Register :

**Name :** T1CLRI  
**Address :** 0xFFFF032C  
**Default Value :** 0xFF  
**Access :** Write Only  
**Function :** This 32-bit, write-only MMR is written (with any value) by user code to refresh(reload) Timer1.

### Timer1 Value Register :

**Name :** T1VAL  
**Address :** 0xFFFF0324  
**Default Value :** 0xFFFFFFFF  
**Access :** Read Only  
**Function :** T1VAL is a 32-bit register which holds the current value of Timer1

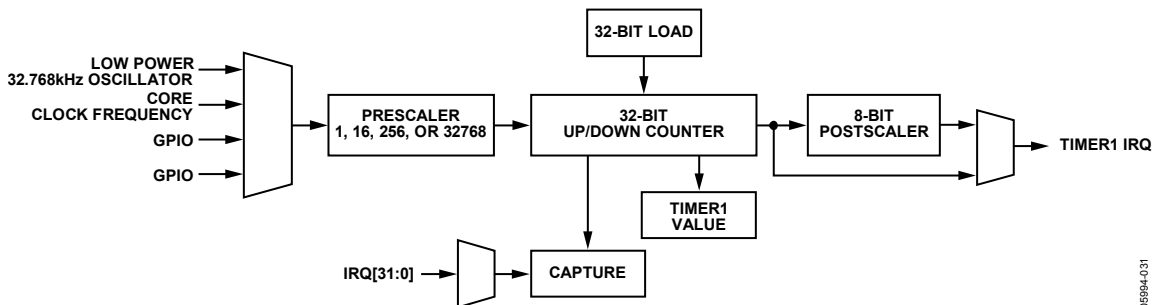


Figure 31 : Timer 1 Block Diagram

065964-031



**Timer1 Capture Register :**

**Name :** T1CAP  
**Address :** 0xFFFF0330  
**Default Value :** 0x00  
**Access :** Write Only  
**Function :** This is a 32-bit register which holds the 32-bit value captured by an enabled IRQ event.

**Timer1 Control Register :**

**Name :** T1CON  
**Address :** 0xFFFF0328  
**Default Value :** 0x0000  
**Access :** Read/Write Only  
**Function :** This 32-bit MMR configures the mode of operation of Timer1

Table 45 : T1CON MMR Bit Descriptions

| Bit   | Description   |
|-------|---|
| 31-24 | Timer 1 8 Bit Post-Scalar<br>By writing to these 8 bits, a value is loaded into the post-scalar. By reading these 8 bits, the current value of the counter is loaded.   |
| 23    | Timer 1 Enable Post-Scalar:<br><i>Set</i> To enable Timer1 Post Scalar. If enabled, an interrupts will be generated after T1CON[31-24] periods as defined by T1LD.<br><i>Cleared</i> To disable Timer1 Post Scalar. |
| 22-20 | Reserved<br>This bit is reserved and should be written as 0 by user code.   |
| 19    | Post-Scalar Compare Flag.<br><i>Set</i> if the number of Timer1 overflows is equal to the number written to the post-scalar   |
| 18    | Timer 1 Interrupt Source<br><i>Set</i> To select interrupt generation from post-scalar counter<br><i>Cleared</i> To select interrupt generation direct from Timer1  |
| 17    | Event Select bit:<br><i>Set</i> by user to enable time capture of an event<br><i>Cleared</i> by user to disable time capture of an event  |
| 16-12 | Event select range, 0 to 31<br>The events are as described in Table 43.   |
| 11-9  | Clock select:<br>000 Core clock ( Default )<br>001 Low Power 32.768kHz Oscillator<br>010 GPIO8<br>011 GPIO5   |
| 8     | Count up:<br><i>Set</i> by user for timer 1 to count up<br><i>Cleared</i> by user for timer 1 to count down. ( Default )  |
| 7     | Timer1 enable bit:<br><i>Set</i> by user to enable timer 1<br><i>Cleared</i> by user to disable timer 1. ( Default )  |
| 6     | Timer 1 mode:<br><i>Set</i> by user to operate in periodic mode<br><i>Cleared</i> by user to operate in free-running mode. ( Default )  |
| 5-4   | Format:<br>00 Binary ( Default )<br>01 <i>Reserved</i><br>10 Hr:Min:Sec:Hundredths – 23 hours to 0 hour<br>11 Hr:Min:Sec:Hundredths – 255 hours to 0 hour   |
| 3-0   | Pre-Scalar:<br>0000 Source clock / 1 ( Default )<br>0100 Source clock / 16<br>1000 Source clock / 256<br>1111 Source clock / 32768  |

## TIMER2 - WAKE-UP TIMER

Timer2 is a 32-bit wake-up timer, count-down or count-up, with a programmable prescaler. The pre-scalar is clocked directly from 1 of 4 clock sources, namely, the Core Clock (default selection), the Low Power 32.768kHz Oscillator, External 32.768kHz Watch Crystal, or the Precision 32.768kHz Oscillator. The selected clock source can be scaled by a factor of 1, 16, 256 or 32768. The wake-up timer will continue to run when the core clock is disabled. This gives a minimum resolution of 48.83ns when operating at CD zero, the core is operating at 20.48MHz, and with a prescaler of 1. Capture of the current timer value is enabled if the Timer2 interrupt is enabled via IRQEN[4].

The counter can be formatted as plain 32-bit value or as Hours:Minutes:Seconds:Hundreths.

Timer2 reloads the value from T2LD either when TIMER2 overflows, or immediately when T2CLRI is written.

Timer2 interface consists of four MMRS:

- **T2LD** and **T2VAL** are 32-bit registers and hold 32-bit unsigned integers. T2VAL is read-only.
- **T2CLRI** is an 8-bit register. Writing any value to this register will clear the timer2 interrupt.
- **T2CON** is the configuration MMR described in Table 36 below.

### Timer2 Load Registers:

**Name :** T2LD  
**Address :** 0xFFFF0340  
**Default Value :** 0x00000  
**Access :** Write Only  
**Function :** T2LD is a 32 bit register which holds the 32 bit value that is loaded into the counter.

### Timer2 Clear Register :

**Name :** T2CLRI  
**Address :** 0xFFFF034C  
**Default Value :** 0xFF  
**Access :** Write Only  
**Function :** This 32-bit, write-only MMR is written (with any value) by user code to refresh(reload) Timer2.

### Timer2 Value Register :

**Name :** T2VAL  
**Address :** 0xFFFF0344  
**Default Value :** 0xFFFFFFFF  
**Access :** Read Only  
**Function :** T2VAL is a 32-bit register which holds the current value of Timer2

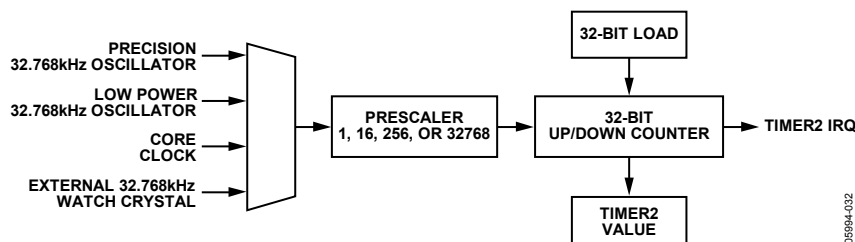


Figure 32: Timer 2 block diagram

0599A-032

**Timer2 Control Register :**

**Name :** T2CON  
**Address :** 0xFFFF0348  
**Default Value :** 0x0000  
**Access :** Read/Write Only  
**Function :** This 32-bit MMR configures the mode of operation of Timer2

Table 46 : T2CON MMR Bit Descriptions

| Bit   | Description   |
|-------|---|
| 31-11 | Reserved  |
| 10-9  | Clock Source Select:<br>00 Core Clock ( Default )<br>01 Low Power 32.768kHz Oscillator<br>10 External 32.768kHz Watch Crystal<br>11 Precision 32.768kHz Oscillator  |
| 8     | Count up:<br>Set by user for timer 2 to count up<br>Cleared by user for timer 2 to count down. ( Default )  |
| 7     | Timer2 enable bit:<br>Set by user to enable timer 2<br>Cleared by user to disable timer 2. ( Default )  |
| 6     | Timer 2 mode:<br>Set by user to operate in periodic mode<br>Cleared by user to operate in free-running mode. ( Default )  |
| 5-4   | Format:<br>00 Binary ( Default )<br>01 Reserved<br>10 Hr:Min:Sec:Hundredths – 23 hours to 0 hour<br>11 Hr:Min:Sec:Hundredths – 255 hours to 0 hour  |
| 3-0   | Prescaler:<br>0000 Source clock / 1 ( Default )<br>0100 Source clock / 16<br>1000 Source clock / 256 ( This setting should be used in conjunction Timer2 Formats 1,0 and 1,1 )<br>1111 Source clock / 32768 |

### TIMER3 - WATCHDOG TIMER

Timer3 has two modes of operation, normal mode and watchdog mode. The Watchdog timer is used to recover from an illegal software state. Once enabled it requires periodic servicing to prevent it from forcing a reset of the processor.

Timer3 reloads the value from T3LD either when TIMER3 overflows, or immediately when T3CLRI is written.

#### Normal mode:

The Timer3 in normal mode is identical to Timer0, in 16-bit mode of operation, except for the clock source. The clock source is the Low Power 32.768kHz oscillator and can be scaled by a factor of 1, 16, or 256. Timer3 also features a capture facility, which allows the capture of the current timer value if the Timer2 interrupt is enabled via IRQEN[5].

#### Watchdog mode:

Watchdog mode is entered by setting T3CON[5]. Timer3 decrements from the timeout value present in T3LD Register until zero. The maximum timeout is 512 seconds, using the maximum pre-scalar /256 and full-scale in T3LD.

User software should only configure a minimum timeout period of 30msecs. This is to avoid any conflict with Flash/EE memory page erase cycles, which require 20ms to complete a single page erase cycle.

If T3VAL reaches 0, a reset or an interrupt occurs, depending on T3CON[1]. To avoid a reset or an interrupt event, any value must be written to T3ICLR before T3VAL reaches zero. This reloads the counter with T3LD and begins a new timeout period.

Once watchdog mode is entered, T3LD and T3CON are write-protected. These two registers can not be modified until a reset event resets the Watchdog Timer.

Timer3 is automatically halted during JTAG debug access and will only recommence counting once JTAG has relinquished control of the ARM7 core. By default, Timer3 continues to count during power-down. This may be disabled by setting bit zero in T3CON. It is recommended that the default value is used, i.e. that the Watchdog Timer continues to count during power-down.

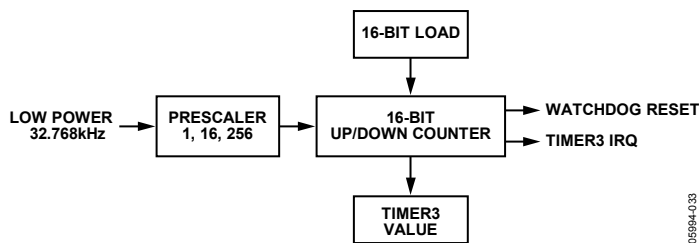


Figure 33 : Timer3 Block Diagram

#### Timer3 Interface:

Timer3 interface consists of four MMRS:

- T3CON is the configuration MMR described in Table 37
- T3LD and T3VAL are 16-bit registers (bit 0 to 15) and hold 16-bit unsigned integers. T3VAL is read-only.
- T3CLRI is an 8-bit register. Writing any value to this register will clear the Timer3 interrupt in normal mode or will reset a new timeout period in watchdog mode

#### Timer3 Load Register :

**Name :** T3LD  
**Address :** 0xFFFF0364  
**Default Value :** 0x03D7  
**Access :** Write Once Only  
**Function :** This 16-bit MMR holds the Timer3 reload value.

#### Timer3 Value Register :

**Name :** T3VAL  
**Address :** 0xFFFF0364  
**Default Value :** 0x03D7  
**Access :** Read Only  
**Function :** This 16-bit, read-only MMR holds the current Timer3 count value.

**Timer3 Clear Register :**

**Name :** T3CLR1  
**Address :** 0xFFFF036C  
**Default Value :** 0x00  
**Access :** Write Only  
**Function :** This 16-bit, write-only MMR is written

(with any value) by user code to refresh(reload) Timer3 in watchdog mode to prevent a watchdog timer reset event. This register must be written with a specific value (generated by user code, based on a polynomial equation) to refresh the watchdog timer and prevent a watchdog reset.

**Timer3 Control Register :**

**Name :** T3CON  
**Address :** 0xFFFF0368  
**Default Value :** 0x00  
**Access :** Read/Write Once Only  
**Function :** The 16-bit MMR configures the mode of operation of Timer3 as is described in detail in Table 47.

Table 47 : T3CON MMR Bit Definition

| Bit  | Description  |
|------|--|
| 16-9 | These bits are reserved and should be written as 0 by user code  |
| 8    | Count Up/Down Enable<br>Set by user code to configure Timer3 to count up<br>Cleared by user code to configure Timer3 to count down.  |
| 7    | Timer3 Enable<br>Set by user code to enable Timer 3<br>Cleared by user code to disable Timer 3. .  |
| 6    | Timer3 Operating Mode<br>Set by user code to configure Timer3 to operate in periodic mode<br>Cleared by user to configure Timer3 to operate in free-running mode.  |
| 5    | Watchdog Timer Mode Enable<br>Set by user code to enable watchdog mode<br>Cleared by user code to disable watchdog mode.   |
| 4    | This bit is reserved and should be written as 0 by user code   |
| 3-2  | Timer3 Clock(32.768kHz) Pre-Scalar<br>00 Source clock / 1 ( Default )<br>01 Source clock / 16<br>10 Source clock / 256<br>11 <i>Reserved</i>   |
| 1    | Watchdog Timer IRQ Enable<br>Set by user code to produce an IRQ instead of a reset when the watchdog reaches 0<br>Cleared by user code to disable the IRQ option.  |
| 0    | PD_OFF<br>Set by the user code to stop Timer3 when the peripherals are powered down via bit 4 in the POWCON MMR.<br>Cleared by the user code to enable Timer3 when the peripherals are powered down via bit 4 in the POWCON MMR. |

## GENERAL PURPOSE I/O

The ADuC7032 features 9 General Purpose bi-directional I/O pins (GPIO). In general, many of the GPIO pins have multiple functions which can be configured by user code. By default, the GPIO pins are configured in GPIO mode. All GPIO pins have an internal pull up resistor and their sink capability is 0.8mA and they can source 0.1mA.

The 9 GPIO are grouped into three ports, Port0, Port1 and Port2. Port0 is 5 bits wide. Port1 and Port2 are both 2 bits wide. The GPIO assignment within each port is detailed in Table 48.

A typical GPIO structure is shown Figure 34.

External Interrupts are present on GP0, GP5, GP7 and GP8. This interrupts are level triggered and are active high. These interrupts are not latched, therefore the interrupts source must be present until either IRQSTA or FIQSTA are interrogated. The Interrupt source must be active for at least 1 CD divided core clock to guarantee recognition.

All port pins are configured and controlled by 4 sets (1 set for each port) of four port specific MMRs:

- GPxCON:** Port x Control Register
- GPxDAT:** Port x Configuration and Data Register
- GPxSET:** Data set port x
- GPxCLR:** Data clear port x

where x corresponds to the port number 0,1 or 2

During normal operation, user code can control the function and state of the external GPIO pins via these general purpose registers. All GPIO pins will retain their external (high or low) during power-down (POWCON) mode.

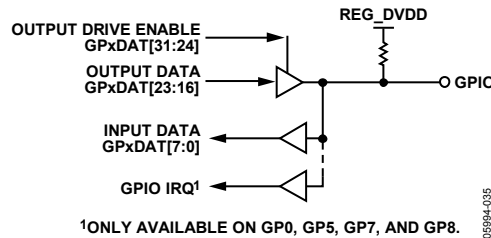


Figure 34 : ADuC7032 GPIO

Table 48 : External GPIO Pin to Internal Port Signal Assignments

|  | <b>GPIO PIN</b>     | <b>PORT SIGNAL</b>            | <b>Functionality ( Defined by GPxCON )</b>                                  |
|--|---------------------|-------------------------------|---|
| <b>Port 0</b>                            | GPIO0               | P0.0                          | General Purpose I/O   |
|  |                     | IRQ0                          | $\overline{SS}$ , Slave Select I/O for SPI                                  |
|  | GPIO1               | P0.1                          | General Purpose I/O   |
|  |                     |                               | SCLK, Serial Clock I/O for SPI  |
|  | GPIO2               | P0.2                          | General Purpose I/O   |
|  |                     |                               | MISO, Master Input, Slave Output for SPI                                    |
|  | GPIO3               | P0.3                          | General Purpose I/O   |
| MOSI, Master Output, Slave Input for SPI |                     |                               |   |
| GPIO4                                    | P0.4                | General Purpose I/O           |   |
|  |                     | ECLK , a 2.56MHz clock output |   |
|  | P0.5 <sup>1</sup>   | High Voltage Serial Interface |   |
|  | P0.6 <sup>1</sup>   | High Voltage Serial Interface |   |
| <b>Port 1</b>                            | GPIO5               | P1.0                          | General Purpose I/O   |
|  |                     | IRQ1                          | RxD Pin for UART  |
|  | GPIO6               | P1.1                          | General Purpose I/O<br>TxD Pin for UART                                     |
| <b>Port 2</b>                            | GPIO7               | P2.0                          | General Purpose I/O   |
|  |                     | IRQ4                          | LIN Output Pin. Used to read directly from LIN PIN for conformance testing. |
|  | GPIO8               | P2.1                          | General Purpose I/O   |
|  |                     | IRQ5                          | LIN HV Input Pin. Used to directly drive LIN Pin for conformance testing.   |
|  | GPIO11 <sup>2</sup> | P2.4 <sup>2</sup>             | General Purpose I/O   |
|  |                     |                               | LIN Output Pin  |
|  | GPIO12 <sup>2</sup> | P2.5 <sup>2</sup>             | General Purpose I/O   |
| LIN Input Pin                            |                     |                               |   |
| GPIO13 <sup>1</sup>                      | P2.6 <sup>1</sup>   | Reserved                      |   |
|  |                     | Reserved                      |   |

<sup>1</sup> These signals are internal signals only and do not appear on an external pin. These pins are used along with HVCON as the 2 wire interface to the high voltage interface circuits.

<sup>2</sup> These pins/signals are internal signals only and do not appear on an external pins. Both signals are used to provide external pin diagnostic write(GPIO12) and read-back(GPIO11) capability.

**GPIO Port0 Control Register :**

**Name :** GP0CON  
**Address :** 0xFFFF0D00  
**Default Value :** 0x00000000  
**Access :** Read/Write

**Function :** The 32-bit MMR selects the pin function for each Port0 pin.

Table 49: GP0CON MMR Bit Designations

| Bit   | Description   |
|-------|---|
| 31-29 | Reserved<br>These bits are reserved and should be written as 0 by user code   |
| 28    | Reserved<br>This bit is reserved and should be written as 1 by user code  |
| 27-25 | Reserved<br>These bits are reserved and should be written as 0 by user code   |
| 24    | Internal P0.6 Enable Bit<br>This bit must be set to 1 by user software to enable the High Voltage Serial Interface before using the HVCON and HVDAT registered high voltage interface   |
| 23-21 | Reserved<br>These bits are reserved and should be written as 0 by user code   |
| 20    | Internal P0.5 Enable Bit<br>This bit must be set to 1 by user software to enable the High Voltage Serial Interface before using the HVCON and HVDAT registered high voltage interface   |
| 19-17 | Reserved<br>These bits are reserved and should be written as 0 by user code   |
| 16    | GPIO4 Function Select Bit<br>This bit is cleared by user code to 0 to configure the GPIO4 pin as a General Purpose I/O (GPIO) pin<br>This bit is set to 1 by user code to configure the GPIO4 pin as ECLK enabling a 2.56MHz clock output on this pin       |
| 15-13 | Reserved<br>These bits are reserved and should be written as 0 by user code   |
| 12    | GPIO3 Function Select Bit<br>This bit is cleared by user code to 0 to configure the GPIO3 pin as a General Purpose I/O (GPIO) pin<br>This bit is set to 1 by user code to configure the GPIO2 pin as MOSI, Master Output, Slave Input Data for the SPI Port |
| 11-9  | Reserved<br>These bits are reserved and should be written as 0 by user code   |
| 8     | GPIO2 Function Select Bit<br>This bit is cleared to 0 by user code to configure the GPIO2 pin as a General Purpose I/O (GPIO) pin<br>This bit is set to 1 by user code to configure the GPIO3 pin as MISO, Master Input, Slave Output Data for the SPI Port |
| 7-5   | Reserved<br>These bits are reserved and should be written as 0 by user code   |
| 4     | GPIO1 Function Select Bit<br>This bit is cleared to 0 by user code to configure the GPIO1 pin as a General Purpose I/O (GPIO) pin<br>This bit is set to 1 by user code to configure the GPIO1 pin as SCLK, Serial Clock I/O for the SPI Port                |
| 3-1   | Reserved<br>These bits are reserved and should be written as 0 by user code   |
| 0     | GPIO0 Function Select Bit<br>This bit is cleared to 0 by user code to configure the GPIO0 pin as a General Purpose I/O (GPIO) pin<br>This bit is set to 1 by user code to configure the GPIO0 pin as $\overline{SS}$ , Slave Select I/O for the SPI Port    |



**GPIO Port1 Control Register :**

**Name :** GP1CON  
**Address :** 0xFFFF0D04  
**Default Value :** 0x00000000  
**Access :** Read/Write  
**Function :** The 32-bit MMR selects the pin function for each Port1 pin.

Table 50 : GP1CON MMR Bit Designations

| Bit  | Description  |
|------|--|
| 31-5 | Reserved<br>These bits are reserved and should be written as 0 by user code  |
| 4    | GPIO6 Function Select Bit<br>This bit is cleared by user code to 0 to configure the GPIO6 pin as a General Purpose I/O (GPIO) pin<br>This bit is set to 1 by user code to configure the GPIO6 pin as TxD, Transmit Data for UART Serial Port |
| 3-1  | Reserved<br>These bits are reserved and should be written as 0 by user code  |
| 0    | GPIO5 Function Select Bit<br>This bit is cleared by user code to 0 to configure the GPIO5 pin as a General Purpose I/O (GPIO) pin<br>This bit is set by user code to 1 to configure the GPIO5 RxD. Receive Data for UART Serial Port         |

**GPIO Port2 Control Register :**

**Name :** GP2CON  
**Address :** 0xFFFF0D08  
**Default Value :** 0x00000000  
**Access :** Read/Write  
**Function :** The 32-bit MMR selects the pin function for each Port2 pin.

Table 51 : GP2CON MMR Bit Designations

| Bit   | Description  |
|-------|--|
| 31-21 | Reserved<br>These bits are reserved and should be written as 0 by user code  |
| 20    | GPIO12 Function Select Bit<br>This bit is cleared to 0 by user code to route the LIN transmit data to an internal General Purpose I/O (GPIO12) pad which can then be written via the GP2DAT MMR.<br>This bit is set to 1 by user code to route the UART TxD (transmit data) to the LIN data pin. This configuration is used in LIN mode. |
| 19-17 | Reserved<br>These bits are reserved and should be written as 0 by user code  |

|      |  |
|------|--|
| 16   | <p>GPIO11 Function Select Bit</p> <p>This bit is cleared to 0 by user code to internally disable the LIN input data path. In this configuration GPIO11 is used to support diagnostic read-back on all external high-voltage I/O pins (see HVCFG1[2:0])</p> <p>This bit is set to 1 by user code to route input data from the LIN interface to both the LIN hardware timing/synchronization logic and to the UART Rx/D (receive data). This mode must be configured by user code when using LIN .</p> |
| 15-5 | <p>Reserved</p> <p>These bits are reserved and should be written as 0 by user code</p>   |
| 4    | <p>GPIO8 Function Select Bit</p> <p>This bit is cleared by user code to 0 to configure the GPIO8 pin as a General Purpose I/O (GPIO) pin</p> <p>This bit is set by user code to 1 to route the LIN input data to the GPIO8 pin. This mode can be used to drive the LIN transceiver interface as a standalone component without any interaction from MCU or UART.</p>   |
| 3-1  | <p>Reserved</p> <p>These bits are reserved and should be written as 0 by user code</p>   |
| 0    | <p>GPIO7 Function Select Bi</p> <p>This bit is cleared by user code to 0 to configure the GPIO7 pin as a General Purpose I/O (GPIO) pin</p> <p>This bit is set by user code to 1 to route data driven into the GPIO7 pin through the on-chip LIN transceiver to be output at the LIN pin. This mode can be used to drive the LIN transceiver interface as a standalone component without any interaction from MCU or UART.</p>   |

**GPIO Port0 Data Register :**

**Name :** GP0DAT  
**Address :** 0xFFFF0D20  
**Default Value :** 0x00000000  
**Access :** Read/Write

**Function :** This 32-bit MMR configures the direction of the GPIO pins assigned to Port0 (see Table 48). This register also sets the output value for GPIO pins configured as outputs and reads the status of GPIO pins configured as inputs.

Table 52 : GP0DAT MMR Bit Descriptions

| Bit   | Description   |
|-------|---|
| 31-29 | <p>Reserved</p> <p>These bits are reserved and should be written as 0 by user code</p>  |
| 28    | <p>Port 0.4 Direction Select Bit</p> <p>This bit is cleared to 0 by user code to configure the GPIO pin assigned to P0.4 as an input.<br/>                     This bit is set to 1 by user code to configure the GPIO pin assigned to P0.4 as an output.</p> |
| 27    | <p>Port 0.3 Direction Select Bit</p> <p>This bit is cleared to 0 by user code to configure the GPIO pin assigned to P0.3 as an input.<br/>                     This bit is set to 1 by user code to configure the GPIO pin assigned to P0.3 as an output.</p> |
| 26    | <p>Port 0.2 Direction Select Bit</p> <p>This bit is cleared to 0 by user code to configure the GPIO pin assigned to P0.2 as an input.<br/>                     This bit is set to 1 by user code to configure the GPIO pin assigned to P0.2 as an output.</p> |
| 25    | <p>Port 0.1 Direction Select Bit</p> <p>This bit is cleared to 0 by user code to configure the GPIO pin assigned to P0.1 as an input.<br/>                     This bit is set to 1 by user code to configure the GPIO pin assigned to P0.1 as an output.</p> |
| 24    | <p>Port 0.0 Direction Select Bit</p> <p>This bit is cleared to 0 by user code to configure the GPIO pin assigned to P0.0 as an input.<br/>                     This bit is set to 1 by user code to configure the GPIO pin assigned to P0.0 as an output.</p> |
| 23-21 | <p>Reserved</p> <p>These bits are reserved and should be written as 0 by user code</p>  |

|      |   |
|------|---|
| 20   | Port 0.4 Data Output<br>The value written to this bit appears directly on the GPIO pin assigned to P0.4.  |
| 19   | Port 0.3 Data Output<br>The value written to this bit appears directly on the GPIO pin assigned to P0.3.  |
| 18   | Port 0.2 Data Output<br>The value written to this bit appears directly on the GPIO pin assigned to P0.2.  |
| 17   | Port 0.1 Data Output<br>The value written to this bit appears directly on the GPIO pin assigned to P0.1.  |
| 16   | Port 0.0 Data Output<br>The value written to this bit appears directly on the GPIO pin assigned to P0.0.  |
| 15-5 | Reserved<br>These bits are reserved and should be written as 0 by user code   |
| 4    | Port 0.4 Data Input<br>This bit is a read-only bit that reflects the current status of the GPIO pin assigned to P0.4. User code should write 0 to this bit. |
| 3    | Port 0.3 Data Input<br>This bit is a read-only bit that reflects the current status of the GPIO pin assigned to P0.3. User code should write 0 to this bit. |
| 2    | Port 0.2 Data Input<br>This bit is a read-only bit that reflects the current status of the GPIO pin assigned to P0.2. User code should write 0 to this bit. |
| 1    | Port 0.1 Data Input<br>This bit is a read-only bit that reflects the current status of the GPIO pin assigned to P0.1. User code should write 0 to this bit. |
| 0    | Port 0.0 Data Input<br>This bit is a read-only bit that reflects the current status of the GPIO pin assigned to P0.0. User code should write 0 to this bit. |

**GPIO Port1 Data Register :**

**Name :** GP1DAT  
**Address :** 0xFFFF0D30  
**Default Value :** 0x00000000  
**Access :** Read/Write

**Function :** This 32-bit MMR configures the direction of the GPIO pins assigned to Port1 (see Table 48). This register also sets the output value for GPIO pins configured as outputs and reads the status of GPIO pins configured as inputs.

Table 53 : GP1DAT MMR Bit Descriptions

| Bit   | Description  |
|-------|--|
| 31-26 | Reserved<br>These bits are reserved and should be written as 0 by user code  |
| 25    | Port 1.1 Direction Select Bit<br>This bit is cleared to 0 by user code to configure the GPIO pin assigned to P1.1 as an input.<br>This bit is set to 1 by user code to configure the GPIO pin assigned to P1.1 as an output. |
| 24    | Port 1.0 Direction Select Bit<br>This bit is cleared to 0 by user code to configure the GPIO pin assigned to P1.0 as an input.<br>This bit is set to 1 by user code to configure the GPIO pin assigned to P1.0 as an output. |
| 23-18 | Reserved<br>These bits are reserved and should be written as 0 by user code  |
| 17    | Port 1.1 Data Output<br>The value written to this bit appears directly on the GPIO pin assigned to P1.1.   |
| 16    | Port 1.0 Data Output<br>The value written to this bit appears directly on the GPIO pin assigned to P1.0.   |
| 15-2  | Reserved<br>These bits are reserved and should be written as 0 by user code  |
| 1     | Port 1.1 Data Input<br>This bit is a read-only bit that reflects the current status of the GPIO pin assigned to P1.1. User code should write 0 to this bit.  |
| 0     | Port 1.0 Data Input<br>This bit is a read-only bit that reflects the current status of the GPIO pin assigned to P1.0. User code should write 0 to this bit.  |

## GPIO Port2 Data Register :

**Name :** GP2DAT  
**Address :** 0xFFFF0D40  
**Default Value :** 0x00000000  
**Access :** Read/Write

**Function :** This 32-bit MMR configures the direction of the GPIO pins assigned to Port2 (see Table 48). This register also sets the output value for GPIO pins configured as outputs and reads the status of GPIO pins configured as inputs.

Table 54 :GP2DAT MMR Bit Descriptions

| Bit   | Description   |
|-------|---|
| 31    | Reserved<br>This bit is reserved and should be written as 0 by user code  |
| 30    | Port 2.6 Direction Select Bit<br>This bit is cleared to 0 by user code to configure the GPIO pin assigned to P2.6 as an input.<br>This bit is set to 1 by user code to configure the GPIO pin assigned to P2.6 as an output.  |
| 29    | Port 2.5 Direction Select Bit<br>This bit is cleared to 0 by user code to configure the GPIO pin assigned to P2.5 as an input.<br>This bit is set to 1 by user code to configure the GPIO pin assigned to P2.5 as an output. This configuration is used to support diagnostic write capability to the high-voltage I/O pins.                        |
| 28    | Port 2.4 Direction Select Bit<br>This bit is cleared to 0 by user code to configure the GPIO pin assigned to P2.4 as an input. This configuration is used to support diagnostic read-back capability from the high-voltage I/O pins(see HVCFG1[2:0]).<br>This bit is set to 1 by user code to configure the GPIO pin assigned to P2.4 as an output. |
| 27-26 | Reserved<br>These bits are reserved and should be written as 0 by user code   |
| 25    | Port 2.1 Direction Select Bit<br>This bit is cleared to 0 by user code to configure the GPIO pin assigned to P2.1 as an input.<br>This bit is set to 1 by user code to configure the GPIO pin assigned to P2.1 as an output.  |
| 24    | Port 2.0 Direction Select Bit<br>This bit is cleared to 0 by user code to configure the GPIO pin assigned to P2.0 as an input.<br>This bit is set to 1 by user code to configure the GPIO pin assigned to P2.0 as an output.  |
| 23    | Reserved<br>This bit is reserved and should be written as 0 by user code  |
| 22    | Port 2.6 Data Output<br>The value written to this bit appears directly on the GPIO pin assigned to P2.6   |
| 21    | Port 2.5 Data Output<br>The value written to this bit appears directly on the GPIO pin assigned to P2.5.  |
| 20-18 | Reserved<br>These bits are reserved and should be written as 0 by user code   |
| 17    | Port 2.1 Data Output<br>The value written to this bit appears directly on the GPIO pin assigned to P2.1.  |
| 16    | Port 2.0 Data Output<br>The value written to this bit appears directly on the GPIO pin assigned to P2.0.  |
| 15-7  | Reserved<br>These bits are reserved and should be written as 0 by user code   |
| 6     | Port 2.6 Data Input<br>This bit is a read-only bit that reflects the current status of the GPIO pin assigned to P2.6. User code should write 0 to this bit.   |
| 5     | Port 2.5 Data Input<br>This bit is a read-only bit that reflects the current status of the GPIO pin assigned to P2.5. User code should write 0 to this bit.   |
| 4     | Port 2.4 Data Input<br>This bit is a read-only bit that reflects the current status of the GPIO pin assigned to P2.4. User code should write 0 to this bit.   |
| 3-2   | Reserved<br>These bits are reserved and should be written as 0 by user code   |

|   |   |
|---|---|
| 1 | Port 2.1 Data Input<br>This bit is a read-only bit that reflects the current status of the GPIO pin assigned to P2.1. User code should write 0 to this bit. |
| 0 | Port 2.0 Data Input<br>This bit is a read-only bit that reflects the current status of the GPIO pin assigned to P2.0. User code should write 0 to this bit. |

**GPIO Port0 Set Register :**

**Name :** GPOSET  
**Address :** 0xFFFF0D24  
**Default Value :** 0x00000000  
**Access :** Read/Write

**Function :** This 32-bit MMR allow user code to individually bit address external GPIO pins to set them high only. User code can do this via the GPOSET MMR without having to modify or maintain the status of any other GPIO pins as user code would need to do when using GP0DAT.

Table 55 : GPOSET MMR Bit Descriptions

| Bit   | Description   |
|-------|---|
| 31-21 | Reserved<br>These bits are reserved and should be written as 0 by user code   |
| 20    | Port 0.4 Set Bit<br>This bit is set to 1 by user code to set the external GPIO4 pin high.<br>If user software clears this bit to 0, this will have no effect on the external GPIO4 pin. |
| 19    | Port 0.3 Set Bit<br>This bit is set to 1 by user code to set the external GPIO3 pin high.<br>If user software clears this bit to 0, this will have no effect on the external GPIO3 pin. |
| 18    | Port 0.2 Set Bit<br>This bit is set to 1 by user code to set the external GPIO2 pin high.<br>If user software clears this bit to 0, this will have no effect on the external GPIO2 pin. |
| 17    | Port 0.1 Set Bit<br>This bit is set to 1 by user code to set the external GPIO1 pin high.<br>If user software clears this bit to 0, this will have no effect on the external GPIO1 pin. |
| 16    | Port 0.0 Set Bit<br>This bit is set to 1 by user code to set the external GPIO0 pin high<br>If user software clears this bit to 0, this will have no effect on the external GPIO0 pin.  |
| 15-0  | Reserved<br>These bits are reserved and should be written as 0 by user code   |

**GPIO Port1 Set Register :****Name :** GP1SET**Address :** 0xFFFF0D34**Default Value :** 0x00000000**Access :** Read/Write

**Function :** This 32-bit MMR allow user code to individually bit address external GPIO pins to set them high only.  
User code can do this via the GP1SET MMR without having to modify or maintain the status of any other GPIO pins as user code would need to do when using GP1DAT.

Table 56: GP1SET MMR Bit Descriptions

| Bit   | Description   |
|-------|---|
| 31-18 | Reserved<br>These bits are reserved and should be written as 0 by user code   |
| 17    | Port 1.1 Set Bit<br>This bit is set to 1 by user code to set the external GPIO6 pin high.<br>If user software clears this bit to 0, this will have no effect on the external GPIO6 pin. |
| 16    | Port 1.0 Set Bit<br>This bit is set to 1 by user code to set the external GPIO5 pin high<br>If user software clears this bit to 0, this will have no effect on the external GPIO5 pin.  |
| 15-0  | Reserved<br>These bits are reserved and should be written as 0 by user code   |

**GPIO Port2 Set Register :****Name :** GP2SET**Address :** 0xFFFF0D44**Default Value :** 0x00000000**Access :** Read/Write

**Function :** This 32-bit MMR allow user code to individually bit address external GPIO pins to set them high only.  
User code can do this via the GP2SET MMR without having to modify or maintain the status of any other GPIO pins as user code would need to do when using GP2DAT.

Table 57: GP2SET MMR Bit Descriptions

| Bit   | Description   |
|-------|---|
| 31-23 | Reserved<br>These bits are reserved and should be written as 0 by user code   |
| 22    | Port 2.6 Set Bit<br>This bit is set to 1 by user code to set the external GPIO13 pin high.<br>If user software clears this bit to 0, this will have no effect on the external GPIO13 pin. |
| 21    | Port 2.5 Set Bit<br>This bit is set to 1 by user code to set the external GPIO12 pin high<br>If user software clears this bit to 0, this will have no effect on the external GPIO12 pin.  |
| 20-18 | Reserved<br>These bits are reserved and should be written as 0 by user code   |
| 17    | Port 2.1 Set Bit<br>This bit is set to 1 by user code to set the external GPIO8 pin high.<br>If user software clears this bit to 0, this will have no effect on the external GPIO8 pin.   |
| 16    | Port 2.0 Set Bit<br>This bit is set to 1 by user code to set the external GPIO7 pin high<br>If user software clears this bit to 0, this will have no effect on the external GPIO7 pin.    |
| 15-0  | Reserved<br>These bits are reserved and should be written as 0 by user code   |

**GPIO Port0 Clear Register :**

**Name :** GP0CLR  
**Address :** 0xFFFF0D28  
**Default Value :** 0x00000000  
**Access :** Read/Write  
**Function :** This 32-bit MMR allows user code to individually bit address external GPIO pins to clear them low only. User code can do this via the GP0CLR MMR without having to modify or maintain the status of any other GPIO pins as user code would need to do when using GP0DAT.

Table 58 : GP0CLR MMR Bit Descriptions

| Bit   | Description  |
|-------|--|
| 31-21 | Reserved<br>These bits are reserved and should be written as 0 by user code  |
| 20    | Port 0.4 Clear Bit<br>This bit is set to 1 by user code to clear the external GPIO4 pin low.<br>If user software clears this bit to 0, this will have no effect on the external GPIO4 pin. |
| 19    | Port 0.3 Clear Bit<br>This bit is set to 1 by user code to clear the external GPIO3 pin low.<br>If user software clears this bit to 0, this will have no effect on the external GPIO3 pin. |
| 18    | Port 0.2 Clear Bit<br>This bit is set to 1 by user code to clear the external GPIO2 pin low.<br>If user software clears this bit to 0, this will have no effect on the external GPIO2 pin. |
| 17    | Port 0.1 Clear Bit<br>This bit is set to 1 by user code to clear the external GPIO1 pin low.<br>If user software clears this bit to 0, this will have no effect on the external GPIO1 pin. |
| 16    | Port 0.0 Clear Bit<br>This bit is set to 1 by user code to clear the external GPIO0 pin low.<br>If user software clears this bit to 0, this will have no effect on the external GPIO0 pin. |
| 15-0  | Reserved<br>These bits are reserved and should be written as 0 by user code  |

**GPIO Port1 Clear Register :**

**Name :** GP1CLR  
**Address :** 0xFFFF0D38  
**Default Value :** 0x00000000  
**Access :** Read/Write  
**Function :** This 32-bit MMR allows user code to individually bit address external GPIO pins to clear them low only. User code can do this via the GP1CLR MMR without having to modify or maintain the status of any other GPIO pins as user code would need to do when using GP1DAT.

Table 59 : GP1CLR MMR Bit Descriptions

| Bit   | Description  |
|-------|--|
| 31-18 | Reserved<br>These bits are reserved and should be written as 0 by user code  |
| 17    | Port 1.1 Clear Bit<br>This bit is set to 1 by user code to clear the external GPIO6 pin low.<br>If user software clears this bit to 0, this will have no effect on the external GPIO6 pin. |
| 16    | Port 1.0 Clear Bit<br>This bit is set to 1 by user code to clear the external GPIO5 pin low.<br>If user software clears this bit to 0, this will have no effect on the external GPIO5 pin. |
| 15-0  | Reserved<br>These bits are reserved and should be written as 0 by user code  |

**GPIO Port2 Clear Register :**

**Name :** GP2CLR  
**Address :** 0xFFFF0D48  
**Default Value :** 0x00000000  
**Access :** Read/Write

**Function :** This 32-bit MMR allows user code to individually bit address external GPIO pins to clear them low only. User code can do this via the GP2CLR MMR without having to modify or maintain the status of any other GPIO pins as user code would need to do when using GP2DAT.

Table 60 : GP2CLR MMR Bit Descriptions

| Bit   | Description   |
|-------|---|
| 31-23 | Reserved<br>These bits are reserved and should be written as 0 by user code   |
| 22    | Port 2.6 Clear Bit<br>This bit is set to 1 by user code to clear the external GPIO13 pin low.<br>If user software clears this bit to 0, this will have no effect on the external GPIO8 pin. |
| 21    | Port 2.5 Clear Bit<br>This bit is set to 1 by user code to clear the external GPIO12 pin low.<br>If user software clears this bit to 0, this will have no effect on the external GPIO7 pin. |
| 20-18 | Reserved<br>These bits are reserved and should be written as 0 by user code   |
| 17    | Port 2.1 Clear Bit<br>This bit is set to 1 by user code to clear the external GPIO8 pin low.<br>If user software clears this bit to 0, this will have no effect on the external GPIO8 pin.  |
| 16    | Port 2.0 Clear Bit<br>This bit is set to 1 by user code to clear the external GPIO7 pin low.<br>If user software clears this bit to 0, this will have no effect on the external GPIO7 pin.  |
| 15-0  | Reserved<br>These bits are reserved and should be written as 0 by user code   |



# HIGH VOLTAGE PERIPHERAL CONTROL INTERFACE

The ADuC7032 integrates a number of high voltage circuit functions which are controlled and monitored via a registered interface consisting of 2 MMRs, namely, HVCON and HVDAT. The HVCON register acts as a command byte interpreter allowing the microcontroller to indirectly read or write 8-bit data (the value in HVDAT) from/to one of 4 High voltage status/configuration registers. It should be noted that these high voltage registers are not MMRs but are so called 'indirect' registers that can only be accessed (as the name suggests) indirectly via the HVCON and HVDAT MMRs.

The physical interface between the HVCON register and the indirect high voltage registers is a 2 wire (data and clock) serial interface based on a 2.56MHz serial clock. Therefore, there is a finite, 10usecs(maximum) latency between the MCU core writing a command into HVCON and that command or data

reaching the indirect high voltage registers. There is also a finite 10usecs latency between the MCU core writing a command into HVCON and indirect register data being read back into the HVDAT register. A busy bit (Bit0 of the HVCON when read by MCU) can be polled by the MCU to confirm when a read/write command has completed.

The following high voltage circuit functions are controlled and monitored via this interface and Figure 35 below describes the top-level architecture of the high voltage interface and related circuits.

- Precision Oscillator
- Wake-Up pin functionality
- Power Supply Monitor
- Low Voltage Flag
- LIN Operating Modes
- High Voltage Diagnostics
- High Voltage Attenuator/Buffer Circuit
- High Voltage Temperature Monitor

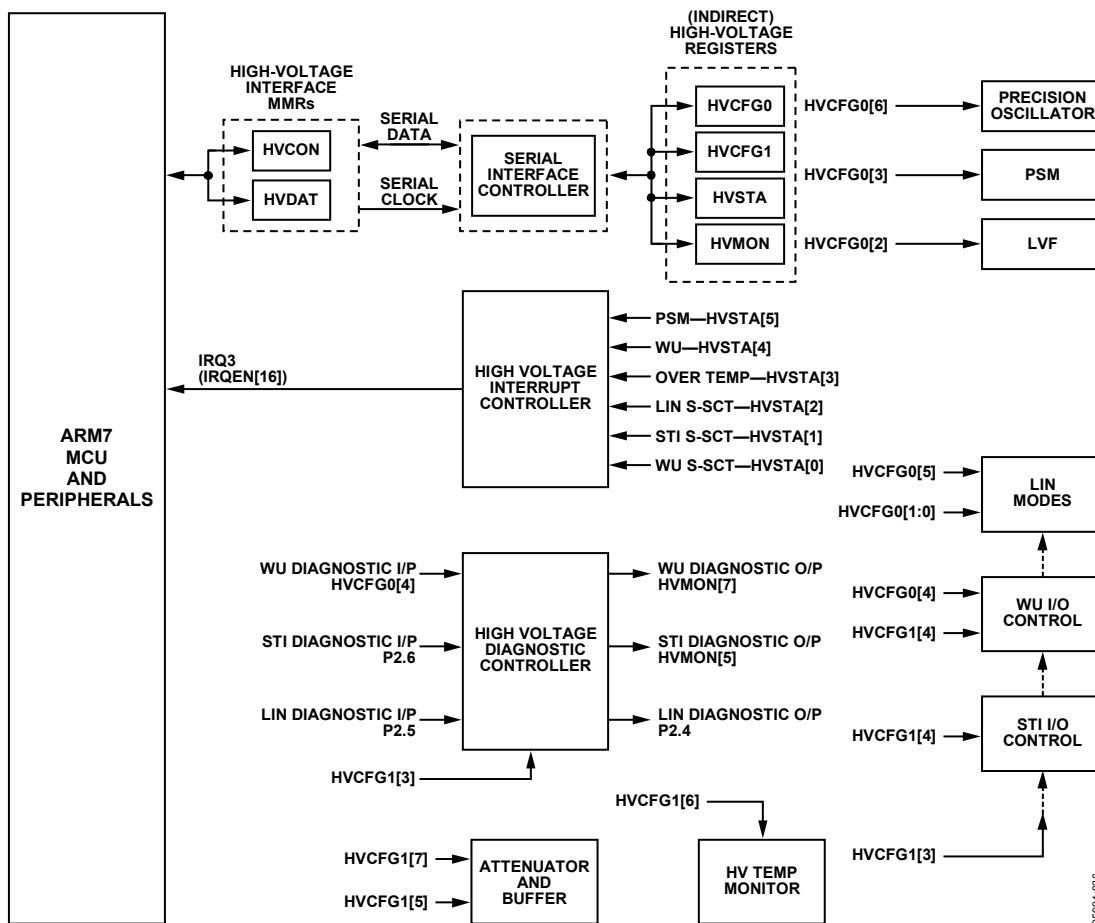


Figure 35: High Voltage Interface, Top Level Block Diagram

## High Voltage Interface Control Register :

**Name :** HVCON  
**Address :** 0xFFFF0804  
**Default Value :** 0x00  
**Access :** Read/Write

**Function :** This 8-bit register acts as a command byte interpreter for the high voltage control interface. Bytes written to this register are interpreted as read or write commands to a set of 4 indirect registers related to the high voltage circuits. The HVDAT register is used to store data to be written to or read back from the indirect registers

Table 61: HVCON MMR Write Bit Designations

| Bit | Description   |
|-----|---|
| 7-0 | Command Byte                      Interpreted as<br><br>0x00                      Read back high voltage register HVCFG0 into HVDAT<br>0x01                      Read back high voltage register HVCFG1 into HVDAT<br>0x02                      Read back high voltage status register HVSTA into HVDAT<br>0x03                      Read back high voltage status register HVMON into HVDAT<br>0x08                      Write the value in HVDAT to the high voltage register HVCFG0<br>0x09                      Write the value in HVDAT to the high voltage register HVCFG1<br><br>All other command bytes are reserved and should not be written by user code |

Table 62: HVCON MMR Read Bit Designations

| Bit | Description   |
|-----|---|
| 7-3 | Reserved  |
| 2   | Transmit Command to High Voltage Die Status:<br><br>1                      Command Completed Successfully<br>0                      Command Failed  |
| 1   | Read Command from High Voltage Die Status:<br><br>1                      Command Completed Successfully<br>0                      Command Failed  |
| 0   | Bit 0 (Read Only) BUSY Bit<br>When user code reads this register, Bit0 should be interpreted as the BUSY signal for the high-voltage interface. This bit can be used to determine if a read request has completed. High voltage (read/write) commands as described above should not be written to HVCON unless BUSY=0.<br>BUSY = 1, High voltage interface is busy and has not completed the previous command written to HVCON. Bit 1 and bit 2 are not valid.<br>BUSY = 0, High voltage interface is not busy and has completed the command written to HVCON. Bit 1 and bit 2 are valid. |

**High Voltage Data Register:**

**Name :** HVDAT

**Address :** 0xFFFF080C

**Default Value :** 0x00

**Access :** Read/Write

**Function :** HVDAT is a 12-bit register that is used to hold data to be written indirectly to and read indirectly from the following high voltage interface registers

*Table 63: HVDAT MMR Bit Designations*

| Bit  | Description   |
|------|---|
| 11-8 | <p>Command to which High Voltage Data, HVDAT[7-0], is associated with. These bits are read only and should be written as zeros.</p> <p>0x00                      Read back high voltage register HVCFG0 into HVDAT</p> <p>0x01                      Read back high voltage register HVCFG1 into HVDAT</p> <p>0x02                      Read back high voltage status register HVSTA into HVDAT</p> <p>0x03                      Read back high voltage status register HVMON into HVDAT</p> <p>0x08                      Write the value in HVDAT to the high voltage register HVCFG0</p> <p>0x09                      Write the value in HVDAT to the high voltage register HVCFG1</p> |
| 7-0  | High Voltage Data to Read/Write   |

**High Voltage Configuration0 Register :**

**Name :** HVCFG0  
**Address :** Indirectly addressed via the HVCON high voltage interface  
**Default Value :** 0x00  
**Access :** Read/Write

**Function :** This 8-bit register controls the function of high voltage circuits on the ADuC7032. This register is not an MMR and does not appear in the MMR memory map. It is accessed via the HVCON registered interface. Data to be written to this register is loaded via the HVDAT MMR and data is read back from this register via the HVDAT MMR.

Table 64: HVCFG0 Bit Designations

| Bit | Description   |
|-----|---|
| 7   | Wake Thermal Shutdown Disable:<br>This bit is set to 1 to disable the automatic shutdown of the Wake driver when a thermal event occurs.<br>This bit is cleared to 0 to enable the automatic shutdown of the Wake driver when a thermal event occurs.   |
| 6   | Precision Oscillator Enable Bit<br>This bit is set to 1 to enable the Precision, 131kHz oscillator. The oscillator start-up time is typically 70µsecs (including HV interface latency of 10µsecs)<br>This bit is cleared to 0 to power down the Precision, 131kHz oscillator                                  |
| 5   | Reserved<br>This bit is reserved and should be written as 0 by user code.   |
| 4   | WU Assert Bit<br>This bit is set to 1 to assert the external WU pin high.<br>This bit is cleared to 0 to pull the external WU pin low via an internal 10KΩ pull-down resistor.  |
| 3   | PSM Enable Bit<br>This bit is cleared to 0 to disable the Power Supply (Voltage at the VDD pin) Monitor<br>This bit is set to 1 to enable the Power Supply (Voltage at the VDD pin) Monitor. If IRQ3 (IRQEN[16] is enabled the PSM will generate an interrupt if the voltage at the VDD pin drops below 6.0V. |
| 2   | Low Voltage Flag Enable Bit<br>This bit is cleared to 0 to disable the Low Voltage Flag function<br>This bit is set to 1 to enable the Low Voltage Flag function. The Low Voltage Flag can be interrogated via HVMON[3] after power up to determine if the REG_DVDD voltage previously dropped below 2.1V     |
| 1-0 | LIN Operating Mode<br>These bits enable/disable the LIN driver.<br>0 0 LIN Disabled<br>0 1 Reserved – (not LIN V2.0 compliant)<br>1 0 LIN Enabled<br>1 1 Reserved   |

**High Voltage Configuration1 Register :**

**Name :** HVCFG1  
**Address :** Indirectly addressed via the HVCON high voltage interface  
**Default Value :** 0x00  
**Access :** Read/Write

**Function :** This 8-bit register controls the function of high voltage circuits on the ADuC7032. This register is not an MMR and does not appear in the MMR memory map. It is accessed via the HVCON registered interface, data to be written to this register is loaded via HVDAT and data is read back from this register via HVDAT.

Table 65: HVCFG1 Bit Designations

| Bit | Description  |
|-----|--|
| 7   | <p>Attenuator Enable Bit</p> <p>This bit is cleared to 0 to disable the internal voltage attenuator and attenuator buffer.</p> <p>This bit is set to 1 to enable the internal voltage attenuator and attenuator buffer.</p>  |
| 6   | <p>High Voltage Temperature Monitor</p> <p>The high voltage temperature monitor is an un-calibrated temperature monitor located on-chip close to the high voltage circuits. This monitor is completely separate to the on-chip, precision temperature sensor(controlled via ADC2CON[7,6]) and allows user code to monitor die temperature change close the hottest part of the ADuC7032 die. The monitor generates a typical output voltage of 600mV at 25°C and has a negative temperature coefficient of typically -2.1mV/°C</p> <p>This bit is set to 1 to enable the on-chip, high voltage temperature monitor. Once enabled this voltage out temperature monitor is routed directly to the temperature channel ADC.</p> <p>This bit is cleared to 0 to disable the on-chip, high voltage temperature monitor.</p> |
| 5   | <p>Voltage Channel Short Enable Bit</p> <p>This bit is set to 1 to enable an internal short (at the attenuator, before ADC input buffer) on the voltage channel ADC and allow noise be measured as a self diagnostic test.</p> <p>This bit is cleared to 0 to disable an internal short on the voltage channel.</p>  |
| 4   | <p>WU Read Back Enable Bit</p> <p>This bit is cleared to 0 to disable input capability on the external WU pin</p> <p>This bit is set to 1 to enable input capability on the external WU pin. In this mode, a rising or falling edge transition on the WU pin will generate a high voltage interrupt. Once this bit is set, the state of the WU pin can be monitored via the HVMON register (HVMON[7]).</p>   |
| 3   | <p>HV-IO Enable Bit</p> <p>This bit is set to 1 to re-enable any High Voltage-IO pins (LIN/Wake) that have been disabled as a result of a short circuit current event(event must last longer than 20usecs for LIN Pin and 400usecs for Wake Pin).</p> <p>This bit must also be set to 1 to re-enable the Wake pin if disabled by a thermal event.</p> <p>It should be noted that this bit must be set to clear any pending interrupt generated by the short circuit event (even if the event has passed) as well as re-enabling the High-Voltage IO pins.</p>  |
| 2   | <p>Enable/Disable Short Circuit Protection (LIN)</p> <p>This bit is set to 1 to enable <b>'passive'</b> short circuit protection on LIN pin. In this mode, a short circuit event on the LIN pin will generate a HV interrupt (IRQ3-IRQEN[16]), assert the appropriate status bit in HVSTA but will NOT disable the short circuiting pin.</p> <p>This bit is cleared to 0 to enable <b>'active'</b> short circuit protection on LIN pin. In this mode, a short circuit event the LIN pin will generate a HV interrupt (IRQ3-IRQEN[16]), assert the appropriate status bit in HVSTA and automatically disable the short circuiting pin. Once disabled, the I/O pin can only be re-enabled by writing to HVCFG1[3].</p>   |
| 1   | <p>WU Pin Time-Out ( MonoFlop ) Counter Enable/Disable</p> <p>This bit is set to disable the WU I/O time-out counter.</p> <p>This bit is cleared to enable a time-out counter which automatically de-asserts the WU pin 1.3 seconds after user code has asserted the WU pin via HVCFG0[4].</p>   |
| 0   | <p>WU O/C Diagnostic Enable</p> <p>This bit is set to enable an internal WU I/O diagnostic pull-up resistor to the VDD pin thus allowing detection of an O/C condition on the WU pin.</p> <p>This bit is cleared to disable an internal WU I/O diagnostic pull-up resistor</p>   |

**High Voltage Interrupt Status Register :**

**Name :** HVSTA  
**Address :** Indirectly addressed via the HVCON high voltage interface  
**Default Value :** 0x00  
**Access :** Read Only. This register should only be read on a high voltage interrupt.

**Function :** This 8-bit read only register reflects a change of state of all the corresponding bit in the HVMON register. This register is not an MMR and does not appear in the MMR memory map. It is accessed via the HVCON registered interface, and data is read back from this register via HVDAT. It should be noted that in response to a high voltage interrupt event, the high voltage interrupt controller simultaneously and automatically loads the current value of the high voltage Status register (HVSTA) into the HVDAT register

Table 66: HVSTA Bit Designations

| Bit | Description  |
|-----|--|
| 7-6 | Reserved<br>These bits should not be used and are reserved for future use.   |
| 5   | PSM Status Bit (Only valid If enabled via HVCFG0[3])<br>This bit is 0 if the voltage at the VDD pin stays above 6.0V<br>This bit will be 1 if the voltage at the VDD pin drops below 6.0V.<br>Please note that this bit is not latched and the IRQ needs to be enabled to detect it. |
| 4   | WU Request Status Bit (Only valid If enabled via HVCFG1[4])<br>Once enabled via HVCFG1[4], this bit will be set to 1 to indicate that a rising or falling edge transition on the WU pin generated a high voltage interrupt.  |
| 3   | Over Temperature (Always enabled)<br>This bit will be 0 if a thermal shutdown event has not occurred.<br>This bit will be 1 if a thermal shutdown event has occurred.  |
| 2   | LIN Short Circuit Status Flag<br>This bit will be 0 during normal LIN operation<br>This bit will be 1 if a LIN short circuit is detected. In this condition the LIN driver will be automatically disabled.   |
| 1   | Reserved<br>This bit is reserved and should be written as 0 by user code.  |
| 0   | Wake Short Circuit Status Flag<br>This bit will be 0 during normal Wake operation<br>This bit will be 1 if a Wake short circuit is detected.   |

**High Voltage Monitor Register :**

**Name :** HVMON  
**Address :** Indirectly addressed via the HVCON high voltage interface  
**Default Value :** 0x00  
**Access :** Read Only

**Function :** This 8-bit read only register reflects the current status of enabled high voltage related circuits and functions on the ADuC7032. This register is not an MMR and does not appear in the MMR memory map. It is accessed via the HVCON registered interface, and data is read back from this register via HVDAT.

Table 67: HVMON Bit Designations

| Bit | Description  |
|-----|--|
| 7   | WU Pin Diagnostic Read-back<br>Once enabled via HVCFG1[4], this read only bit will reflect the state of the external WU pin.   |
| 6   | Over Temperature<br>This bit will be 0 if a thermal shutdown event has not occurred.<br>This bit will be 1 if a thermal shutdown event has occurred.   |
| 5   | Reserved<br>This bit should not be used and is reserved for future use.  |
| 4   | Buffer Enabled<br>This bit will be 0 if the Voltage Channel ADC input buffer is disabled<br>This bit will be 1 if the Voltage Channel ADC input buffer is enabled  |
| 3   | Low Voltage Flag Status Bit (Only valid If enabled via HVCFG0[2])<br>This bit will be 0 on power-on if REG_DVDD had dropped below 2.1V. In this state, RAM contents can be deemed corrupt.<br>This bit will be 1 on power-on if REG_DVDD had not dropped below 2.1V. In this state, RAM contents can be deemed valid. It will only be cleared by re-enabling the Low Voltage Flag in HVCFG0[2] |
| 2   | LIN Short Circuit Status Flag:<br>This bit will be 0 if the LIN driver is operating normally.<br>This bit will be 1 if the LIN driver has experienced a short circuit condition and will be cleared automatically by writing to HVCFG1[3].   |
| 1   | Reserved<br>These bits should not be used and are reserved for future use.   |
| 0   | Wake Short Circuit Status Flag:<br>This bit will be 0 if the Wake driver is operating normally.<br>This bit will be 1 is the Wake driver has experienced a short circuit condition.  |

## WAKE-UP(WU)

The Wake Up pin is a high voltage GPIO controlled via HVCON and HVDAT.

### Wake-Up(WU) Pin Circuit Description

The WU pin is configured by default as an output with an internal 10KΩ pull-down resistor and high side FET driver. The WU pin in its default mode of operation is specified to generate an active high system wake-up request by forcing the external system WU bus high. User code can assert the WU output by writing directly to HVCFG0[4].

It should be noted the output will only respond after the 10usecs latency through the (serial communication based) high voltage interface

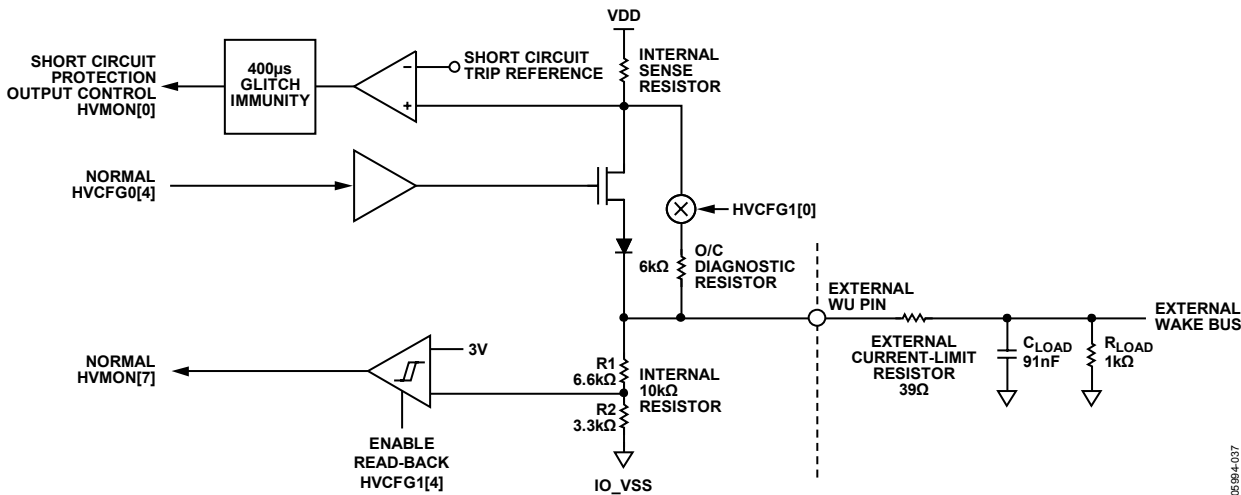


Figure 36 : WU Circuit, Block Diagram

The internal FET is capable of sourcing significant current and therefore a substantial on-chip self-heating can occur if this driver is asserted for a long time period. For this reason a Monoflop, a 1.3 second timeout timer, has been included. By default the Monoflop is enabled and will disable the Wake Driver after 1.3 seconds. It is possible to disable the Monoflop via HVCFG1[1]. If the Wake Monoflop is disabled, then the Wake driver should be disabled after 1.3s.

The Wake Pin also features a short circuit detection feature. When the wake Pin sources more than 200mA for 400uS a high voltage interrupt will be generated with HVMON[0] set.

By Default, a thermal shutdown event disables the Wake Driver. The Wake driver must be re-enabled manually after a thermal event via HVCFG1[3]. It is possible to disable the automatic shutdown during a thermal event via HVCFG0[7].

The WU pin can be configured in I/O mode by writing a 1 to HVCFG1[4]. In this mode, a rising or falling edge will immediately generate a high voltage interrupt. HVMON[7] directly reflects the state of the external WU pin. This comparator has a trip level of 3V<sub>TYP</sub>.



## HANDLING INTERRUPTS FROM THE HIGH VOLTAGE PERIPHERAL CONTROL INTERFACE

An interrupt controller is also integrated with the high voltage circuits. If enabled via IRQEN[16], one of 5 high voltage sources can assert the high voltage interrupt (IRQ3) signal and interrupt the MCU core.

While the MCU response to this interrupt event is, as normal, to vector to the IRQ or FIQ interrupt vector address. The high voltage interrupt controller simultaneously and automatically loads the current value of the high voltage Status register (HVSTA) into the HVDAT register. During this time the BUSY bit in HVCON[0] is set to indicate the transfer is in progress

and will be cleared after 10usecs to indicate the HVSTA contents are now available in HVDAT.

The interrupt handler can therefore poll the busy bit in HVCON until it de-asserts and then read the HVDAT register. At this time HVDAT will then hold the value of the HVSTA register. The status flags can then be interrogated to determine the exact source of the high voltage interrupt and the appropriate action taken.

## LOW VOLTAGE FLAG ( LVF )

The ADuC7032 features a Low Voltage flag, which when enabled allows the user to monitor REG\_DVDD. When enabled via HVCFG0[2], the Low Voltage Flag may be monitored via HVMON[3]. If REG\_DVDD drops below 2.1V, then HVMON[3] is cleared. If REG\_DVDD drops below 2.1V the

Ram contents are corrupted. Once the Low Voltage Flag is enabled, it is only reset by REG\_DVDD dropping below 2.1V or the disabling of the LVF functionality via HVCFG0[2].

## HIGH VOLTAGE DIAGNOSTICS

It is possible to diagnosis fault conditions on the Wake and LIN bus as follows.

Table 68: High Voltage Diagnostics

| High Voltage Pin | Fault Condition             | Method  | Result   |
|------------------|-----------------------------|---|--|
| LIN              | Short Between LIN and VBat  | Drive LIN Low                                     | LIN Short Circuit interrupt will be generated after 20uS if more than 100mA is drawn continuously. |
|                  | Short Between LIN and GND   | Drive LIN High                                    | LIN Read back reads back low.  |
| Wake             | Short Between Wake and VBat | Drive Wake Low                                    | Read Back high   |
|                  | Short Between Wake and GND  | Drive Wake High                                   | Wake Short Circuit interrupt will be generated after 400us if more than 200mA is sourced           |
|                  | Open Circuit                | Enable OC Diagnostic Resistor with Wake disabled. | HVMON[7] will be cleared if load is connected and set if wake is open circuited                    |

## UART SERIAL INTERFACE

The ADuC7032 features a 16450 compatible UART. The UART is a full-duplex Universal Asynchronous Receiver/Transmitter. A UART performs serial-to-parallel conversion on data characters received from a peripheral device or a MODEM, and parallel-to-serial conversion on data characters received from the ARM7TDMI. The UART features a fractional divider, which facilitates high accuracy baud rate generation, and a network addressable mode. The UART functionality is made available on GPIO\_5, RXD, and GPIO\_6, TXD, of the ADuC7032:

The serial communication adopts an asynchronous protocol that supports various word length, stop bits and parity generation options selectable in the configuration register.

### BAUD RATE GENERATION

The ADuC7032 features two methods of generating the UART Baud Rate:

1. Normal 450 UART baud rate generation.
2. ADuC7032 Fractional Divider

These two methods are explained in detail below.

#### Normal 450 UART baud rate generation.

The baud rate is a divided version of the core clock using the value in COMDIV0 and COMDIV1 MMRs (16-bit value, DL).

$$Baudrate = \frac{20.48MHz}{2^{CD} \times 16 \times 2 \times DL}$$

Equation 1 : Standard Baud Rate Generator Formula

Table 69 gives some common baud rate values:

Table 69 : Baud rate using the standard Baud rate generator

| Baud rate | CD | DL  | Actual Baud rate | % error |
|-----------|----|-----|------------------|---------|
| 9600      | 0  | 43h | 9552             | 0.50%   |
| 19200     | 0  | 21h | 19394            | 1.01%   |
| 115200    | 0  | 6h  | 106667           | 7.41%   |
| 9600      | 3  | 8h  | 10000            | 4.17%   |
| 19200     | 3  | 4h  | 20000            | 4.17%   |
| 115200    | 3  | 1h  | 80000            | 30.56%  |

#### ADuC7032 Fractional divider:

The fractional divider combined with the normal baud-rate generator allows the generation of accurate, high speed, baud-rates.

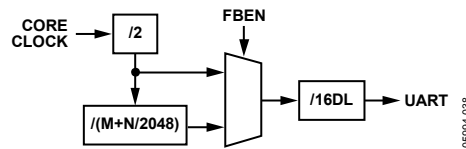


Figure 37 : Fractional Divider Baud Rate generation

Calculation of the baud rate using fractional divider is as follow:

$$Baudrate = \frac{20.48MHz}{2^{CD} \times 16 \times DL \times 2 \times (M + \frac{N}{2048})}$$

Equation 2 : Fractional Divider Baud Rate Generation Formula

$$M + \frac{N}{2048} = \frac{20.48MHz}{Baudrate \times 2^{CD} \times 16 \times DL \times 2}$$

Table 70 gives some common baud rate values.

Table 70: Baud rate using the Fractional Baud rate generator

| Baud rate | CD | DL  | M | N   | Actual Baud rate | % error |
|-----------|----|-----|---|-----|------------------|---------|
| 9600      | 0  | 42h | 1 | 21  | 9598.55          | 0.015%  |
| 19200     | 0  | 21h | 1 | 21  | 19197.09         | 0.015%  |
| 115200    | 0  | 5h  | 1 | 228 | 115177.51        | 0.0195% |

## UART REGISTER DEFINITION

The UART interface consists of 9 registers namely:

- **COMTX**: 8-bit transmit register
- **COMRX**: 8-bit receive register
- **COMDIV0**: divisor latch (low byte)  
COMTX, COMRX and COMDIV0 share the same address location. COMTX and COMTX can be accessed when bit 7 in COMCON0 register is cleared. COMDIV0 can be accessed when bit 7 of COMCON0 is set.
- **COMDIV1**: divisor latch (high byte)
- **COMCON0**: line control register
- **COMSTA0**: line status register
- **COMIEN0**: interrupt enable register
- **COMIID0**: interrupt identification register
- **COMDIV2**: 16-bit fractional baud divide register

### UART TX Register:

**Name :** COMTX  
**Address :** 0xFFFF0700  
**Default Value :** 0x00  
**Access :** Write Only

**Function :** This 8-bit register is written to, to transmit data via the UART.

### UART RX Register:

**Name :** COMRX  
**Address :** 0xFFFF0700  
**Default Value :** 0x00  
**Access :** Read Only

**Function :** This 8-bit register is read from to receive data transmitted via the UART.

### UART Divisor Latch Register 0:

**Name :** COMDIV0  
**Address :** 0xFFFF0700  
**Default Value :** 0x00  
**Access :** Read/Write

**Function :** This 8-bit register contains the least significant byte of the divisor latch witch controls the baud rate at which the UART operates.

### UART Divisor Latch Register 1:

**Name :** COMDIV1  
**Address :** 0xFFFF0704  
**Default Value :** 0x00  
**Access :** Read/Write

**Function :** This 8-bit register contains the most significant byte of the divisor latch witch controls the baud rate at which the UART operates.

**UART Control Register 0:**

**Name :** COMCON0  
**Address :** 0xFFFF070C  
**Default Value :** 0x00  
**Access :** Read/Write

**Function :** This 8-bit register controls the operation of the UART in conjunction with COMCON1

*Table 71 : COMCON0 MMR Bit Descriptions*

| Bit | Name | Description  |
|-----|------|--|
| 7   | DLAB | Divisor latch access<br>Set by user to enable access to COMDIV0 and COMDIV1 registers<br>Cleared by user to disable access to COMDIV0 and COMDIV1 and enable access to COMRX, COMTX and COMIEN0  |
| 6   | BRK  | Set break.<br>Set by user to force TXD to 0<br>Cleared to operate in normal mode   |
| 5   | SP   | Stick parity<br>Set by user to force parity to defined values:<br>1 if EPS = 1 and PEN = 1<br>0 if EPS = 0 and PEN = 1   |
| 4   | EPS  | Even parity select bit<br>Set for even parity<br>Cleared for odd parity  |
| 3   | PEN  | Parity enable bit:<br>Set by user to transmit and check the parity bit<br>Cleared by user for no parity transmission or checking   |
| 2   | STOP | Stop bit<br>Set by user to transmit 1.5 Stop bit if the Word Length is 5 bits or 2 Stop bits if the word length is 6, 7 or 8 bits. The receiver checks the first Stop bit only, regardless of the number of Stop bits selected<br>Cleared by user to generate 1 Stop bit in the transmitted data |
| 1-0 | WLS  | Word length select:<br>00 = 5 bits<br>01 = 6 bits<br>10 = 7 bits<br>11 = 8 bits  |

**UART Control Register 1:**

**Name :** COMCON1  
**Address :** 0xFFFF0710  
**Default Value :** 0x00  
**Access :** Read/Write

**Function :** This 8-bit register controls the operation of the UART in conjunction with COMCON0

Table 72: COMCON1 MMR Bit Descriptions

| Bit | Name     | Description   |
|-----|----------|---|
| 7-6 |          | UART Input Mux<br>00 RxD driven by LIN Input Required for LIN Communications via LIN pin<br>01 <i>Reserved</i><br>10 RxD driven by GP5 Required for Serial communications via GP5 pin ( RxD )<br>11 <i>Reserved</i> |
| 5   |          | <i>Reserved</i>   |
| 4   | LOOPBACK | Loop back<br>Set by user to enable loop back mode. In loop back mode the TxD is forced high.  |
| 3-0 |          | <i>Reserved</i>   |

**UART Status Register 0:**

**Name :** COMSTA0  
**Address :** 0xFFFF0714  
**Default Value :** 0x60  
**Access :** Read Only

**Function :** This 8-bit read only register reflects the current status on the UART.

Table 73: COMSTA0 MMR Bit Descriptions

| Bit | Name | Description   |
|-----|------|---|
| 7   |      | <i>Reserved</i>   |
| 6   | TEMT | COMTX empty status bit<br>Set automatically if COMTX is empty<br>Cleared automatically when writing to COMTX                            |
| 5   | THRE | COMTX and COMRX empty<br>Set automatically if COMTX and COMRX are empty<br>Cleared automatically when one of the register receives data |
| 4   | BI   | Break Indicator<br>Set when SIN is held low for more than the maximum word length<br>Cleared automatically                              |
| 3   | FE   | Framing error<br>Set when invalid stop bit<br>Cleared automatically   |
| 2   | PE   | Parity error<br>Set when a parity error occurs<br>Cleared automatically   |
| 1   | OE   | Overrun error<br>Set automatically if data are overwrite before been read<br>Cleared automatically                                      |
| 0   | DR   | Data ready<br>Set automatically when COMRX is full<br>Cleared by reading COMRX  |

**UART Interrupt Enable Register 0:**

**Name :** COMIEN0  
**Address :** 0xFFFF0704  
**Default Value :** 0x00  
**Access :** Read/Write

**Function :** The 8-bit register enables/disables the individual UART interrupt sources.

Table 74 : COMIEN0 MMR Bit Descriptions

| Bit | Name  | Description   |
|-----|-------|---|
| 7-3 |       | Reserved and should be written as zeros   |
| 2   | ELSI  | RX status interrupt enable bit<br>Set by user to enable generation of an interrupt if any of COMSTA0[3:0] are set<br>Cleared by user    |
| 1   | ETBEI | Enable transmit buffer empty interrupt<br>Set by user to enable interrupt when buffer is empty during a transmission<br>Cleared by user |
| 0   | ERBFI | Enable receive buffer full interrupt<br>Set by user to enable interrupt when buffer is full during a reception<br>Cleared by user       |

**UART Interrupt Identification Register 0:**

**Name :** COMIID0  
**Address :** 0xFFFF0708  
**Default Value :** 0x01  
**Access :** Read Only

**Function :** This 8-bit register reflects the source of the UART interrupt

Table 75 : COMIID0 MMR Bit Descriptions

| Bit 2-1<br>Status bits | Bit 0<br>NINT | Priority | Definition                      | Clearing operation                  |
|------------------------|---------------|----------|---------------------------------|-------------------------------------|
| 00                     | 1             |          | No interrupt                    |                                     |
| 11                     | 0             | 1        | Receive line status interrupt   | Read COMSTA0                        |
| 10                     | 0             | 2        | Receive buffer full interrupt   | Read COMRX                          |
| 01                     | 0             | 3        | Transmit buffer empty interrupt | Write data to COMTX or read COMIID0 |
| 00                     | 0             | 4        | Reserved                        |                                     |

**UART Fractional Divider Register:**

**Name :** COMDIV2  
**Address :** 0xFFFF072C  
**Default Value :** 0x0000  
**Access :** Read/Write

**Function :** This 16-bit register controls the operation of the ADuC7032's fractional divider

Table 76: COMDIV2 MMR Bit Descriptions

| Bit   | Name      | Description   |
|-------|-----------|---|
| 15    | FBEN      | Fractional baud rate generator enable bit<br>Set by user to enable the fractional baudrate generator<br>Cleared by user to generate baudrate using the standard 450 UART baudrate generator |
| 14-13 |           | <i>Reserved</i>   |
| 12-11 | FBM[1-0]  | M. if FBM = 0, M = 4  |
| 10-0  | FBN[10-0] | N   |

## SERIAL PERIPHERAL INTERFACE

The ADuC7032 features a complete hardware Serial Peripheral Interface (SPI) on-chip. SPI is an industry standard synchronous serial interface which allows eight bits of data to be synchronously transmitted and received simultaneously, i.e., full duplex.

The SPI interface is only operational with core clock divider bits (POWCON[2:0]= 0 or 1).

The SPI Port can be configured for Master or Slave operation and consists of four pins, which are multiplexed with four GPIO. The four SPI pins are MISO, MOSI, SCLK and  $\overline{SS}$ . The pins to which this signals are connected are shown in Table 77.

Table 77: SPI Output Pins

| Pin                 | Signal          | Description          |
|---------------------|-----------------|----------------------|
| GP0 ( GPIO MODE 1 ) | $\overline{SS}$ | Chip Select          |
| GP1 ( GPIO MODE 1 ) | SCLK            | Serial Clock         |
| GP2 ( GPIO MODE 1 ) | MISO            | Master Out, Slave In |
| GP3 ( GPIO MODE 1 ) | MOSI            | Master In, Slave Out |

These signals are described in detail below.

### MISO (Master In, Slave Out Data I/O Pin)

The MISO (master in slave out) pin is configured as an input line in master mode and an output line in slave mode. The MISO line on the master (data in) should be connected to the MISO line in the slave device (data out). The data is transferred as byte wide (8-bit) serial data, MSB first.

### MOSI (Master Out, Slave In Pin)

The MOSI (master out slave in) pin is configured as an output line in master mode and an input line in slave mode. The MOSI line on the master (data out) should be connected to the MOSI line in the slave device (data in). The data is transferred as byte wide (8-bit) serial data, MSB first.

### SCLK (Serial Clock I/O Pin)

The master serial clock (SCLK) is used to synchronize the data being transmitted and received through the MOSI SCLK period. Therefore, a byte is transmitted/received after eight SCLK periods. The SCLK pin is configured as an output in master mode and as an input in slave mode.

In master mode polarity and phase of the clock are controlled by the SPICON register, and the bit-rate is defined in the

SPIDIV register as follow:

$$f_{serialclock} = \frac{20.48MHz}{2 \times (1 + SPIDIV)}$$

Equation 3: SPI Baud Rate Calculation

The maximum speed of the SPI clock is dependant on the clock divider bits and is summarized in Table 78.

Table 78: SPI speed vs. clock divider bits in master mode

| CD bits        | 0     | 1     |
|----------------|-------|-------|
| SPIDIV         | 0x05  | 0x0B  |
| Max SCLK (MHz) | 1.667 | 0.833 |

In slave mode, the SPICON register must be configured with the phase and polarity of the expected input clock. The slave accepts data from an external master up to 5.12 Mb at CD = 0. The formula to determine the maximum speed is as follow:

$$f_{serialclock} = \frac{f_{HCLK}}{4}$$

Equation 4: Maximum Receive Baud Rate

In both master and slave modes, data is transmitted on one edge of the SCL signal and sampled on the other. Therefore, it is important that the polarity and phase are configured the same for the master and slave devices.

### Chip Select ( $\overline{SS}$ ) Input Pin

In SPI Slave Mode, a transfer is initiated by the assertion of  $\overline{SS}$  which is an active low input signal. The SPI port will then transmit and receive 8-bit data until the transfer is concluded by de-assertion of  $\overline{SS}$ . In slave mode  $\overline{SS}$  is always an input.

### SPI registers definition

The following MMR registers are used to control the SPI interface:

- **SPICON:** 16-bit control register
- **SPISTA:** 8-bit read only status register
- **SPIDIV:** 8-bit serial clock divider register
- **SPITX:** 8-bit write only transmit register
- **SPIRX:** 8-bit read only receive register



**SPI Control Register :**

**Name :** SPICON  
**Address :** 0xFFFF0A10  
**Default Value :** 0x0000  
**Access :** Read/Write  
**Function :** The 16-bit MMR configures the Serial Peripheral Interface.

Table 79: SPICON MMR Bit Descriptions

| Bit   | Description  |
|-------|--|
| 15-13 | <i>Reserved and should be written as zero</i>  |
| 12    | Continuous transfer enable<br><i>Set by user to enable continuous transfer.</i><br>In master mode the transfer will continue until no valid data is available in the TX register. $\overline{SS}$ will be asserted and remain asserted for the duration of each 8-bit serial transfer until TX is empty<br><i>Cleared by user to disable continuous transfer. Each transfer consists of a single 8-bit serial transfer. If valid data exists in the SPITX register then a new transfer is initiated after a stall period</i> |
| 11    | Loop back enable<br><i>Set by user to connect MISO to MOSI and test software</i><br><i>Cleared by user to be in normal mode</i>  |
| 10    | Slave output enable<br><i>Set by user to enable the slave output</i><br><i>Cleared by user to disable slave output</i>   |
| 9     | Slave select input enable<br><i>Set by user in master mode to enable the output</i>  |
| 8     | SPIRX overflow overwrite enable<br><i>Set by user, the valid data in the RX register is overwritten by the new serial byte received</i><br><i>Cleared by user, the new serial byte received is discarded</i>   |
| 7     | SPITX underflow mode<br><i>Set by user to transmit the previous data</i><br><i>Cleared by user to transmit 0</i>   |
| 6     | Transfer and interrupt mode (master mode)<br><i>Set by user to initiate transfer with a write to the SPITX register. Interrupt will occur when TX is empty</i><br><i>Cleared by user to initiate transfer with a read of the SPIRX register. Interrupt will occur when RX is full</i>  |
| 5     | LSB first transfer enable bit<br><i>Set by user the LSB is transmitted first</i><br><i>Cleared by user the MSB is transmitted first</i>  |
| 4     | <i>Reserved and should be written as zero</i>  |
| 3     | Serial clock polarity mode bit<br><i>Set by user, the serial clock idles high</i><br><i>Cleared by user the serial clock idles low</i>   |
| 2     | Serial clock phase mode bit<br><i>Set by user, the serial clock pulses at the beginning of each serial bit transfer</i><br><i>Cleared by user, the serial clock pulses eat end of each serial bit transfer</i>   |
| 1     | Master mode enable bit<br><i>Set by user to enable master mode</i><br><i>Cleared by user to enable slave mode</i>  |
| 0     | SPI enable bit<br><i>Set by user to enable the SPI</i><br><i>Cleared to disable the SPI</i>  |

**SPI Status Register :**

**Name :** SPISTA  
**Address :** 0xFFFF0A00  
**Default Value :** 0x00  
**Access :** Read Only  
**Function :** The 8-bit MMR represents the current status of the Serial Peripheral Interface.

Table 80 : SPISTA MMR Bit Descriptions

| Bit | Description  |
|-----|--|
| 7-6 | Reserved   |
| 5   | SPIRX data register overflow status bit<br>Set if SPIRX is overflowing<br>Cleared by reading SPIRX register  |
| 4   | SPIRX data register IRQ<br>Set automatically if bit 3 or 5 are set<br>Cleared by reading SPIRX register  |
| 3   | SPIRX data register full status bit<br>Set automatically if a valid data is present in the SPIRX register<br>Cleared by reading SPIRX register                           |
| 2   | SPITX data register underflow status bit<br>Set automatically if SPITX is under flowing<br>Cleared by writing in the SPITX register                                      |
| 1   | SPITX data register IRQ<br>Set automatically if bit 0 is clear or bit 2 is set<br>Cleared by writing in the SPITX register or if finished transmission disabling the SPI |
| 0   | SPITX data register empty status bit<br>Set by writing to SPITX to send data. This bit is set during transmission of data<br>Cleared when SPITX is empty                 |

**SPI Receive Register :**

**Name :** SPIRX  
**Address :** 0xFFFF0A04  
**Default Value :** 0x00  
**Access :** Read Only  
**Function :** This 8-bit MMR contains the data received via the Serial Peripheral Interface.

**SPI Divider Register :**

**Name :** SPIDIV  
**Address :** 0xFFFF0A0C  
**Default Value :** 0x1B  
**Access :** Read/Write  
**Function :** The 8-bit MMR represents the frequency of the Serial Peripheral Interface is operating at. For more information on the calculation of the baud rate, please refer to Equation 3 : SPI Baud Rate Calculation.

**SPI Transmit Register :**

**Name :** SPITX  
**Address :** 0xFFFF0A08  
**Default Value :** 0x00  
**Access :** Write Only  
**Function :** This 8-bit MMR is written to, to transmit data via the Serial Peripheral Interface.

# LIN (LOCAL INTERCONNECT NETWORK ) INTERFACE

The ADuC7032 features a high voltage physical interface between the ARM7 MCU core and an external LIN bus. The LIN interface operates as a slave only interface, operating from 1-20KBaud, and is compatible with the LIN2.0 standard. The pull-up resistor required for a slave node is on-chip, reducing the need for external circuitry. The LIN protocol is emulated using the on-chip UART, an IRQ, a dedicated LIN Timer and the high voltage transceiver which is also incorporated on-chip. This is shown in Figure 38. The LIN is clocked from the Low Power Oscillator, for the Break Timer, and a 5MHz output from the PLL which is used for the synch byte timing.

## LIN MMR DESCRIPTION

The LIN Hardware Synchronization (LHS) functionality is controlled via five MMRs. The function of each MMR is described below:.

- LHSSTA:** LHS Status Register. This MMR contains information flags which describe the current status on the interface.
- LHSCON0:** LHS Control Register 0. This MMR controls the configuration of the LHS Timer.
- LHSCON1:** LHS Start and Stop Edge Control Register Dictates which edge of the LIN Synchronization byte the LHS starts/stops counting.
- LHSVAL0:** LHS Synchronization 16Bit Timer, which is controlled by LHSCON0.
- LHSVAL1:** LHS Break Timer Register

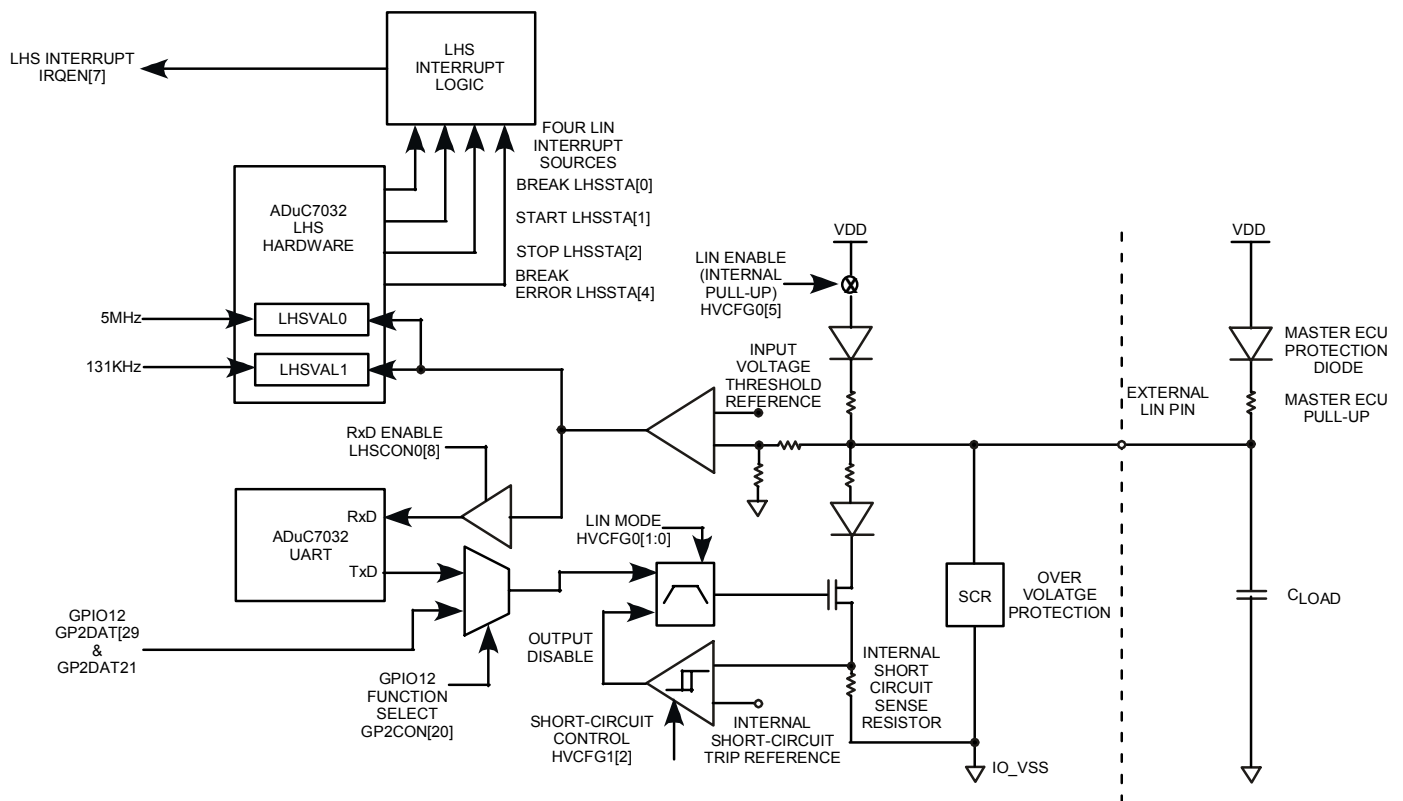


Figure 38 : LIN I/O, Block Diagram

**LIN Hardware Synchronization Status Register :**

**Name :** LHSSTA  
**Address :** 0xFFFF0780  
**Default Value :** 0x00  
**Access :** Read Only

**Function :** The LHS Status register is an 8-bit register whose bits reflect the current operating status of the ADuC7032 LIN interface.

Table 81 : LHSSTA MMR Bit Descriptions

| Bit   | Description   |
|-------|---|
| 7 - 6 | Reserved<br>These read-only bits are reserved for future use  |
| 5     | LHS Reset Complete Flag<br>This bit is set to 1 by hardware to indicate a LHS Reset Command has completed successfully.<br>This bit is cleared to 0, after user code reads the LHSSTA MMR   |
| 4     | Break Field Error<br>This bit is set to 1 by hardware and generates an LHS Interrupt (IRQEN[7]) when the 12-bit, Break Timer (LHSVAL1) register overflows to indicate the LIN bus has stayed low too long thus indicating a possible LIN bus error.<br>This bit is cleared to 0, after user code reads the LHSSTA MMR       |
| 3     | LHS Compare Interrupt<br>This bit is set to 1 by hardware when the value in LHSVAL0 (LIN Synchronisation Bit Timer) = the value in the LHSCMP register.<br>This bit is cleared to 0, after user code reads the LHSSTA MMR   |
| 2     | Stop Condition Interrupt<br>This bit is set to 1 by hardware when a stop condition is detected.<br>This bit is cleared to 0, after user code reads LHSSTA MMR   |
| 1     | Start Condition Interrupt<br>This bit is set to 1 by hardware when a start condition is detected.<br>This bit is cleared to 0, after user code reads LHSSTA MMR   |
| 0     | Break Timer Compare Interrupt<br>This bit is set to 1 by hardware when a valid LIN Break condition is detected. A LIN Break conditions is generated when the LIN Break Timer value reaches the Break timer compare value (see LHSVAL1 description below).<br>This bit is cleared to 0, after user code reads the LHSSTA MMR |

**LIN Hardware Synchronization Control Register 0:**

**Name :** LHSCON0  
**Address :** 0xFFFF0784  
**Default Value :** 0x0000  
**Access :** Read/Write

**Function :** The LHS Control register is a 16-bit register that in conjunction with the LHSCON1 register is used to configure the LIN mode of operation.

Table 82 : LHSCON0 MMR Bit Descriptions

| Bit   | Description   |
|-------|---|
| 15-12 | Reserved<br>These bits are reserved for future and should be written as 0 by user software.   |
| 11    | Break Timer Compare Interrupt Disable:<br>This bit is set to 1 to disable the Break Timer Compare interrupt.<br>This bit is cleared to 0 to enable the Break Timer Compare Interrupt  |
| 10    | Break Timer Error Interrupt Disable:<br>This bit is set to 1 to disable the Break Timer Error interrupt.<br>This bit is cleared to 0 to enable the Break Timer Error Interrupt  |
| 9     | LIN Transceiver, Stand-Alone Test Mode<br>This bit is cleared to 0 by user code to operate the LIN in normal mode, driven directly from the on-chip UART. This bit is set to 1 by user code to enable external GPIO7 and GPIO8 pins to drive the LIN transceiver TxD and RxD respectively, independent of the UART. The functions of GPIO7 and GPIO8 should first be configured by user code via GPIO function select bits <0 and 4> in the GP2CON register.  |
| 8     | Gate UART Bit<br>This bit is set to 1 by user code to disable the internal UART RxD (receive data) by gating it high until both the break field and subsequent LIN Sync byte have been detected. This ensures the UART will not receive any spurious serial data during Break or Sync field periods which will have to be flushed out of the UART before valid data fields can start to be received.<br>This bit is set to 0 by user code to enable the internal UART RxD (receive data) after the break field and subsequent LIN Sync byte have been detected so that the UART can receive the subsequent LIN data fields. |
| 7     | Sync Timer Stop Edge Type Bit<br>This bit is cleared to 0 by user code to stop the sync timer on the falling edge count configured via the LHSCON1[7:4] register.<br>This bit is set to 1 by user code to stop the sync timer on the rising edge count configured via the LHSCON1[7:4] register.  |
| 6-5   | Reserved<br>These bits are reserved for future and should be written as 0 by user software.   |
| 4     | Enable Stop Interrupt<br>This bit is cleared to 0 by user code to disable interrupts when a stop condition occurs<br>This bit is set to 1 by user code to generate an interrupt when a stop condition occurs  |
| 3     | Enable Start Interrupt<br>This bit is cleared to 0 by user code to disable interrupts when a start condition occurs<br>This bit is set to 1 by user code to generate an interrupt when a start condition occurs   |
| 2     | LIN Sync Enable Bit<br>This bit is cleared to 0 by user code to disable LHS functionality<br>This bit is set to 1 by user code to enable LHS functionality  |
| 1     | Edge Counter Clear Bit<br>This bit is cleared to 0 by user code to enable the rising or falling edge counters to function normally<br>This bit is set to 1 by user code to clear the internal edge counters in the LHS peripheral, this bit does not reset to 0 automatically and requires user code to write 0 to re-enable the edge counters.   |

|   |  |
|---|--|
| 0 | <p>LHS Reset Bit</p> <p>This bit is cleared to 0 by user code to enable the LHS logic to function normally</p> <p>This bit is set to 1 by user code to reset all LHS logic to default conditions, the bit is cleared to 0 automatically in hardware.</p> |
|---|--|

### LIN Hardware Synchronization Control Register 1:

**Name :** LHSCON1  
**Address :** 0xFFFF078C  
**Default Value :** 0x32  
**Access :** Read/Write

**Function :** The LHS Control register is an 8-bit register that in conjunction with the LHSCON0 register is used to configure the LIN mode of operation.

*Table 83 : LHSCON1 MMR Bit Descriptions*

| Bit | Description   |
|-----|---|
| 7-4 | <p>LIN STOP Edge Count</p> <p>These 4 bits are set by user code to the number of falling or rising edges on which to stop the internal LIN synchronization counter. The stop value of this counter can be read by user code via LHSVAL0. The type of edge, either rising or falling, is configured by LHSCON0[7]. The default value of these bits is 0x3 which configures the hardware to stop counting on the third falling edge. It should be noted that the first falling edge is taken as the falling edge at the start of the LIN break pulse.</p> |
| 3-0 | <p>LIN START Edge Count</p> <p>These 4 bits are set by user code to the number of falling edges after which the internal LIN synchronization timer will start counting. The stop value of this counter can be read by user code via LHSVAL0. The default value of these bits is 0x2 which configures the hardware to start counting on the second falling edge. It should be noted that the first falling edge is taken as the falling edge at the start of the LIN break pulse.</p>  |

### LIN Hardware Synchronization Timer0 Register :

**Name :** LHSVAL0  
**Address :** 0xFFFF0788  
**Default Value :** 0x0000  
**Access :** Read/Write

**Function :** The 16-bit read only LHSVAL0 register holds the value of the internal LIN synchronization timer. The LIN synchronization timer is clocked from an internal 5MHz clock which is independent of Core clock and baud-rate frequency. In LIN mode, the value read by user code from the LHSVAL0 register can be used calculate the master LIN baud-rate. This calculation can then be used to configure the internal UART baud-rate to ensure correct LIN communication via the UART from the ADuC7032 slave to the LIN master node.

**LIN Hardware Break Timer1 Register :**

**Name :** LHSVAl1  
**Address :** 0xFFFF0790  
**Default Value :** 0x000(read) or 0x047(write)  
**Access :** Read/Write

**Function :** When user code reads this location, the 12-bit value returned is the value of the internal LIN break timer, which is clocked directly from the on-chip low power (131KHz) oscillator and times the LIN Break pulse. A negative edge on the LIN bus or user code reading the LHSVAl1 will result in the timer and the register contents being reset to 0. When user code writes to this location, the 12-bit value is actually written not to the LIN Break timer but to a LIN Break Compare register.

In LIN mode of operation the value in the compare register is continuously compared to the break timer value. A LIN Break interrupt (IRQEN[7] and LHSSTA[0]) is generated when the timer value reaches the compare value. After the Break Condition interrupt, the LIN Break timer continues to count until the rising edge of the Break signal. If a rising edge is not detected and the 12-bit timer overflows ( $4096 \times 1/131\text{KHz} = 31\text{msecs}$ ), a Break Field Error Interrupt (IRQEN[7] and LHSSTA[4]) will be generated. By default, the value in the compare register is 0x47, this corresponds to 11 X Bit periods i.e. the minimum pulse width for a LIN break pulse at 20kbps. For different baud rates, this value may be changed by writing to. It is also important to note that if a valid break interrupt is not received then subsequent Sync pulse timing via LHSVAl0 register will not occur.

**LIN HARDWARE INTERFACE**

**LIN Frame Protocol**

The LIN frame protocol is broken into 4 main categories:

- Break Symbol
- SYNC Byte
- Protected Identifier
- Data Bytes

The format of the frame header, Break, Synchronization Byte and Protected Identifier are shown in Figure 39. Essentially, the embedded UART, LIN Hardware Synchronization logic and the high voltage transceiver interface all combine on-chip to support and manage LIN based transmissions and receptions.

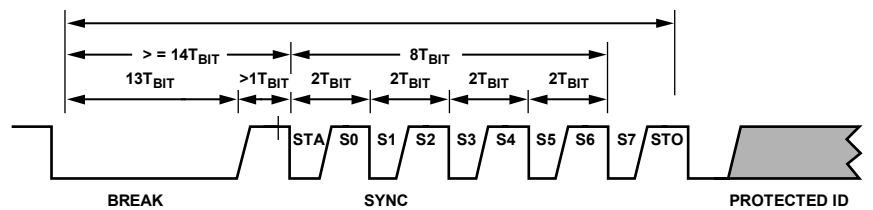


Figure 39: LIN Interface Timing

### LIN Frame Break Symbol

As shown in Figure 40, the LIN “break” symbol is used to signal the start of a new frame. It lasts at least 13 bit periods and a slave must be able to detect a “break” symbol, even if it expects data or is in the process of receiving data. The ADuC7032 accomplishes this by using the LHSVAl1 Break Condition and

Break Error detect functionality as described earlier. The “break” period does not have to be accurately measured, but if a bus fault condition (bus held low) occurs it must be flagged.

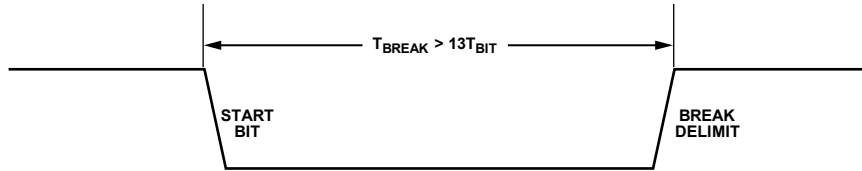


Figure 40 : LIN Break Field

05994-043

### LIN Frame Synchronization Byte

The baud rate of the communication via LIN is calculated from the SYNC Byte. This can be seen in Figure 41. The time between the first falling edge of the Sync Field and the fifth falling edge of the Sync Field is measured. This is then divided

by eight to give the baud rate of the data that will be transmitted. The ADuC7032 implements the timing of this Sync byte in hardware. For more information on this feature, please refer to LIN Hardware Synchronization.

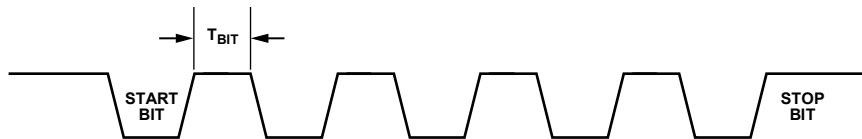


Figure 41 : LIN Synchronizing Byte Field

05994-044

### LIN Frame Protected Identifier

After receiving the LIN synch field, the required baud rate for the UART is calculated. The UART is then configured, which allows the ADuC7032 to receive the Protected Identifier, as shown in Figure 42. The Protected Identifier consists of two sub-fields, the identifier and the identifier parity. The six bit identifier contains the identifier of the target for the frame. The

identifier signifies the number of data bytes to be either received or transmitted. The number of bytes is user configurable at system level design. The parity is calculated on the identifier, and is dependent on the revision of LIN the system is designed for.

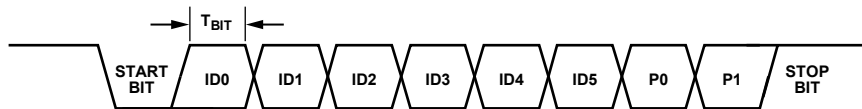


Figure 42 : LIN Identifier Byte Field

05994-045



### LIN Frame Data Byte

The data byte frame carries between one and eight bytes of data. The number of bytes contained in the frame will be

dependent on the LIN Master. The data byte frame is split into data bytes as shown in Figure 43.



Figure 43 : LIN Data Byte Field

### LIN Frame Data Transmission and Reception

Once the Break Symbol and Synchronization Byte have been correctly received, data is transmitted and received via the COMTX and COMRX MMRs, after configuration of the UART to the required Baud Rate. To configure the UART for use with LIN requires the use of the following UART MMRs:

- **COMDIV0**: divisor latch (low byte)
- **COMDIV1**: divisor latch (high byte)
- **COMDIV2**: 16-bit fractional baud divide register  
The required values for COMDIV0, COMDIV1 and COMDIV2 are derived from the LHSVAL0, to generate the required baud rate..
- **COMCON0**: line control register

- **COMTX**: 8-bit transmit register
- **COMRX**: 8-bit receive register
- **COMCON0**: line control register
- **COMSTA0**: line status register

To transmit data on the LIN bus requires that the relevant data be placed into COMTX. To read data received on the LIN bus requires the monitoring of COMRX. To ensure that data is received or transmitted correctly COMSTA0 is monitored. For more information please refer to the UART section of the datasheet.

Once the UART is correctly configured, the LIN protocol for receiving and transmitting data is identical to the UART specification. To manage data on the LIN bus requires use of the following UART MMRs:

Under software control it is possible to multiplex the UART data lines (TxD and RxD) to external GPIO pins (GPIO\_7 and GPIO\_8). For more information please refer to the description of the GPIO Port1 Control Register (GP1CON).

## Example LIN Hardware Synchronization Routine

Consider the following C-Source Code LIN Initialization Routine.

```
void LIN_INIT(void )
{
    char HVstatus;
    GP2CON = 0x110000; // Enable LHS on GPIO Pins

    LHSCON0 = 0x1; // Reset LHS Interface

    do{
        HVDAT = 0x02; // Enable Normal LIN TX mode
        HVCON = 0x08; // Write to Config0
    }do{
        HVstatus = HVCON;
    }
    while(HVstatus & 0x1); // Wait until command is finished
    while (!(HVstatus & 0x4)); // transmit command is correct

    while((LHSSTA & 0x20) == 0 )
    {
        // Wait until the LHS Hardware is reset
    }

    LHSCON1 = 0x062; // Sets Stop Edge as the fifth falling edge
    // and the start edge as the first falling
    // edge in the sync byte
    LHSCON0 = 0x0114; // Gates UART RX Line, ensure no interference
    // from the LIN into the UART.
    // Selects the stop condition as a falling edge
    // Enables Generation of an interrupt on the
    // stop condition.
    // Enables the interface
    LHSVAL1 = 0x03F; // Set number of 131kHz periods to generate a Break Interrupt
    // 0x3F / 131kHz ~ 480us which is just over 9.5 TBits.}
```

Using this configuration, LHSVAL1 begins to count on the first falling edge received on the LIN bus. If LHSVAL1 exceeds the value written to LHSVAL1, in this case 0x3f, a Break Compare interrupt is generated.

ON the next falling edge, LHSVAL0 begins counting. LHSVAL0 monitors the number of falling edges and compares this to the value written to LHSCON1, in this example the number of edges to monitor is the sixth falling edge of the LIN frame, or the fifth falling edge of the SYNC byte. Once this number of

falling edges is received, a STOP condition interrupt is generated. It is at this point that the UART is configured to received the Protected Identifier.

The UART must not be ungated, via LHSCON0[8], before the LIN bus returns high. If this occurs, UART communication errors may occur. Example code to ensure this is shown below:

This process is shown in detail in Figure 44.

```
while((GP2DAT & 0x10 ) == 0 )
{
    // Wait until LIN Bus returns High
    LHSCON0 = 0x4; // Enable LHS to detect Break Condition Ungate RX Line
    // Disable all interrupts except Break Compare Interrupt
    IRQEN = 0x800; // Enable UART Interrupt
    // The UART is now configured and ready to be used for LIN
```

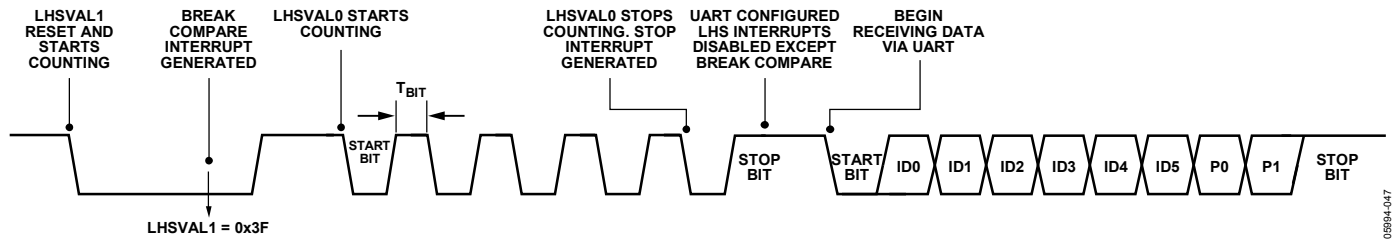


Figure 44 : Example LIN Configuration

059894-047

### LIN Diagnostics

The ADuC7032 features the capability to non-intrusively monitor the current state of the LIN pin. This read back functionality is implemented via GPIO11. The current state of the LIN pin is contained in GP2DAT[4]

It is also possible to drive the LIN pin high and low via user software, allowing the user to detect open circuit conditions. This functionality is implemented via GPIO12. To enable this functionality GPIO12 must be configured as a GPIO via GP2CON[20]. Once configured, the LIN pin may be pulled high or low via GP2DAT.

The ADuC7032 also features short circuit protection on the LIN pin. If a short circuit condition is detected on the LIN pin, HVSTA[2] is set. This bit is cleared by re-enabling the LIN driver via HVCFG1[3]. It is possible to disable this feature via HVCFG1[2].

## ADUC7032 ON-CHIP DIAGNOSTICS

The ADuC7032 integrates multiple diagnostic support circuits on-chip. These circuits allow the device to test core digital functionality, analog front-end and high-voltage I/O ports in-circuit.

### ADC Diagnostics

#### Internal Test Voltage

The current channel can be configured to convert on an internal 8.3mV test voltage . On any gain range the result should be within  $\pm 0.5\%$  of the expected result.

#### Internal Short Mode

The current and voltage input channels can also be shorted internally. Converting on the internal short will allow an assessment of the internal ADC noise to be determined.

#### Internal Current Sources

Internal current sources can also be enabled on both current and temperature channels. These current sources can be used to determine external short or open circuit conditions in both external shunt or temperature sensor configurations.

### High Voltage I/O Diagnostics

#### High Voltage I/O Read back

All high voltage I/O pins are supported with read back capability. This allows the detection of external short conditions.

#### High Voltage Current Detection

All high voltage I/O pins also have a high current detection capability allowing high side connections to VBAT to be detected and controlled.

## PART IDENTIFICATION

Two registers mapped into the MMR space are intended to allow user code identify and trace, manufacturing lot ID information, part ID number, silicon mask revision and kernel

revision. This information is contained in the SYSSER0 and SYSSER1 MMR which are described in detail below.

### System Serial ID Register 0:

**Name :** SYSSER0  
**Address :** 0xFFFF0238  
**Default Value :** 0x00000000(Updated by kernel at power-on)  
**Access :** Read/Write

**Function :** At power-on, this 32-bit register will hold the value of the original manufacturing lot number from which this specific ADuC7032 unit was manufactured (bottom die only). Used in conjunction with SYSSER1, this lot number will allow the full manufacturing history of this part to be traced.

Table 84 : SYSSER0 MMR Bit Descriptions

| Bit   | Description   |
|-------|---|
| 31-27 | <p>Wafer Number:</p> <p>The 5 bits read from this location will give the wafer number ( 1-24 ) from the Wafer Fabrication Lot ID which this device came from , and when used in conjunction with SYSSER0[26-0] provides individual wafer traceability.</p>                            |
| 26-22 | <p>Wafer Lot Fabrication Plant</p> <p>The 5 bits read from this location reflect the manufacturing plant associate with this Wafer Lot, and used in conjunction with SYSSER0[21-0] provides wafer lot traceability.</p>   |
| 21-16 | <p>Wafer Lot fabrication ID</p> <p>The 6 bits read from this location form part of the Wafer Lot Fabrication ID, and used in conjunction with SYSSER0[26-22] and SYSSER0[15-0] provides wafer lot traceability.</p>   |
| 15-0  | <p>Wafer Lot Fabrication ID</p> <p>These 16 LSBs will hold a 16-bit number which should be interpreted as the Wafer Fabrication Lot ID number. When used in conjunction with the value in SYSSER1 i.e. the manufacturing lot ID, this number is a unique identifier for the part.</p> |

**System Serial ID Register 1:**

**Name :** SYSSER1  
**Address :** 0xFFFF023C  
**Default Value :** 0x00000000(Updated by kernel at power-on)  
**Access :** Read/Write

**Function :** At power-on, this 32-bit register will hold the values of the part ID number, silicon mask revision number and kernel revision number (bottom die only) as detailed below.

Table 85: SYSSER1 MMR Bit Descriptions

| Bit   | Description   |
|-------|---|
| 31-28 | <p>Silicon Mask Revision ID</p> <p>The 4 bits read from this nibble reflect the silicon mask ID number. Specifically, the hex value in this nibble should be decoded as the lower hex nibble in the hex numbers reflecting the ASCII characters in the range 'A' to 'O'.</p> <p>Examples:<br/>           Bits 19-16 = 0001 = 1hex, therefore this value should be interpreted as <b>41</b> which is ASCII character A corresponding to silicon mask revision A</p> <p>Bits 19-16 = 1011 = Bhex, therefore the number is interpreted as <b>4B</b> which is ASCII character K corresponding to silicon mask revision K</p> <p>The allowable range for this value is 1 to 15 which is interpreted as 41 to 4F or A to O)</p> |
| 27-20 | <p>Kernel Revision ID</p> <p>This byte contains the hex number which should be interpreted as an ASCII character indicating the revision of the kernel firmware embedded in the on-chip Flash/EE memory.</p> <p>Example: Reading 0x41 from this byte should be interpreted as A indicating a revision A kernel is on-chip.</p>  |
| 19-16 | <p>Kernel Minor Revision number</p> <p>For PreProduction Release, these bits refer to the Device's Kernel Minor Revision Number</p>   |
| 15-0  | <p>Part ID</p> <p>These 16 LSBs will hold a 16-bit number which should be interpreted as the part ID number. When used in conjunction with the value in SYSSER0 i.e. the manufacturing lot ID, this number is a unique identifier for the part.</p>   |

**System Kernel Checksum:**

**Name :** SYSCHK  
**Address :** 0xFFFF0240  
**Default Value :** 0x00000000(Updated by kernel at power-on)  
**Access :** Read/Write

**Function :** At power-on, this 32-bit register will hold the kernel checksum

**System Identification FEE0ADR:**

**Name :** FEE0ADR  
**Address :** 0xFFFF0E10  
**Default Value :** Non Zero  
**Access :** Read/Write Access

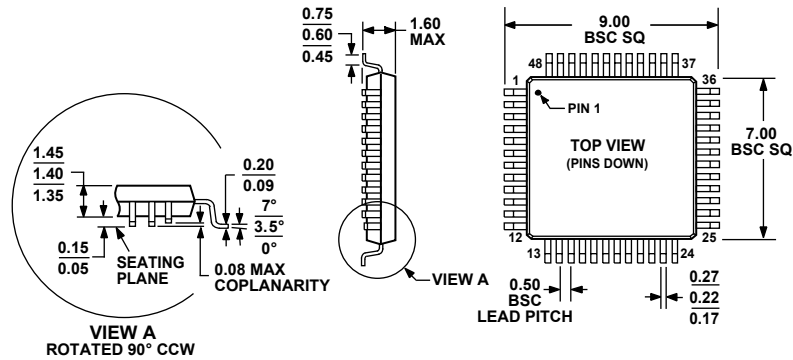
**Function :** This 16-bit register dictates the address upon which any Flash/EE command executed via FEECON will act upon.

**Note:** This MMR is also used to identify ADuC7030 Family member and pre-release silicon revision.

Table 86: FEE0ADR System Identification MMR Bit Descriptions

| Bit   | Description            |
|-------|------------------------|
| 15-12 | Reserved               |
| 11-8  | Reserved               |
| 7-4   | Silicon Revision       |
|       | 0x0 Type6              |
|       | 0x1 Type6X             |
|       | 0x5 Type7OP            |
|       | 0x6 Type8              |
|       | 0x7 Type7OP1           |
|       | 0x8 Type7M             |
|       | 0x9 Type7              |
|       | 0xA Type8W             |
|       | 0xB Type9              |
|       | 0xD Type8V             |
|       | Others <i>Reserved</i> |
| 3-0   | ADuC7030 Family ID     |
|       | 0x0 ADuC7030           |
|       | 0x1 ADuC7031           |
|       | 0x2 ADuC7032           |
|       | 0x3 ADuC7033           |
|       | Others <i>Reserved</i> |

OUTLINE DIMENSIONS



COMPLIANT TO JEDEC STANDARDS MS-026-BBC

Figure 45 : 48-Lead, Plastic Quad Flat Pack, (LQFP-48), Dimensions shown in millimeters